

Flush-type connector - SACC-DSI-M8MS-6CON-M8-L90 SH - 1424244

Please be informed that the data shown in this PDF Document is generated from our Online Catalog. Please find the complete data in the user's documentation. Our General Terms of Use for Downloads are valid (<http://phoenixcontact.com/download>)



Sensor/actuator flush-type connector, plug, 6-pos., M8, rear/screw mounting with M8 fastening thread, with angled solder connection

Your advantages

- Easy PCB assembly: one-piece connectors for wave soldering
- Standard pin assignments and codings for signal transmission with a uniform design-in design
- For high transmission reliability: optional shield connection to the housing and latching on the PCB

Key Commercial Data

| | |
|--------------|---------------|
| Packing unit | 20 pc |
| GTIN | |
| GTIN | 4046356712569 |

Technical data

Ambient conditions

| | |
|----------------------|------|
| Degree of protection | IP67 |
|----------------------|------|

General

| | |
|-----------------------|------------------------------|
| Rated current at 40°C | 2 A |
| Rated voltage | 30 V AC |
| | 30 V DC |
| Rated surge voltage | 0.8 kV |
| Number of positions | 6 |
| Insulation resistance | ≥ 100 MΩ |
| Coding | A - standard |
| Standards/regulations | M8 connector IEC 61076-2-104 |
| Status display | No |
| Overvoltage category | II |
| Degree of pollution | 3 |

Flush-type connector - SACC-DSI-M8MS-6CON-M8-L90 SH - 1424244

Technical data

General

| | |
|-------------------|-------------------------------------|
| Connection method | Solder pins |
| Torque | 1 Nm ... 1.5 Nm (Installation-side) |
| Mounting type | Rear mounting M8 x 1 With flat nut |

Material

| | |
|--|------------------------------|
| Flammability rating according to UL 94 | HB |
| Contact material | Cu alloy |
| Contact surface material | Au |
| Contact carrier material | PA 6.6 |
| Material, knurls | Zinc die-cast, nickel-plated |

Cable

| | |
|--------------------------|------------------------------|
| Standards/specifications | M8 connector IEC 61076-2-104 |
|--------------------------|------------------------------|

Standards and Regulations

| | |
|--|------------------------------|
| Standards/specifications | M8 connector IEC 61076-2-104 |
| Flammability rating according to UL 94 | HB |

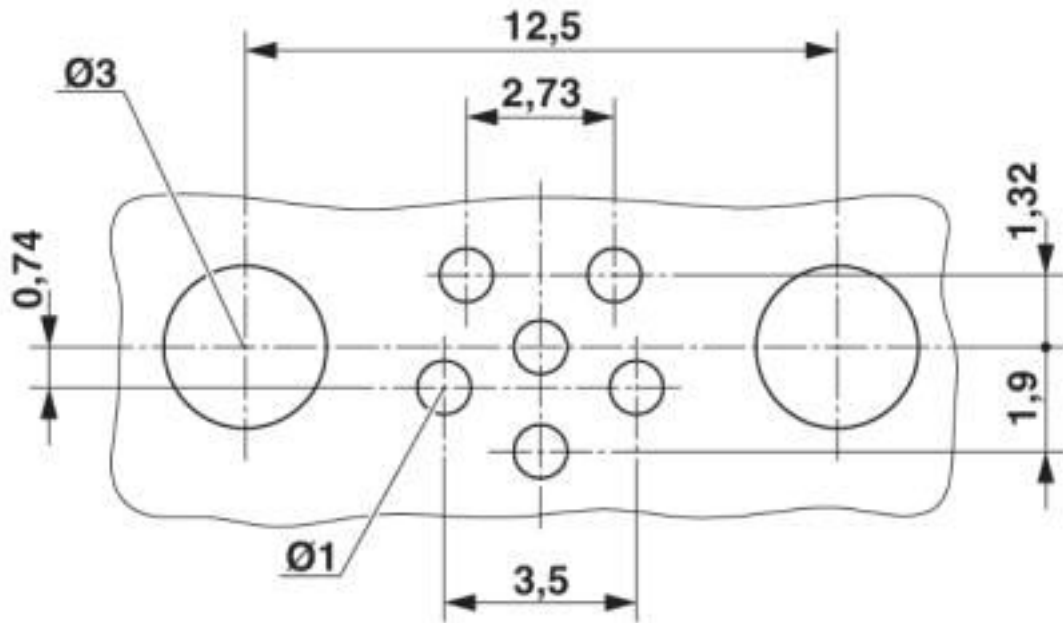
Environmental Product Compliance

| | |
|------------|---|
| China RoHS | Environmentally Friendly Use Period = 25; |
| | For details about hazardous substances go to tab "Downloads", Category "Manufacturer's declaration" |

Drawings

Flush-type connector - SACC-DSI-M8MS-6CON-M8-L90 SH - 1424244

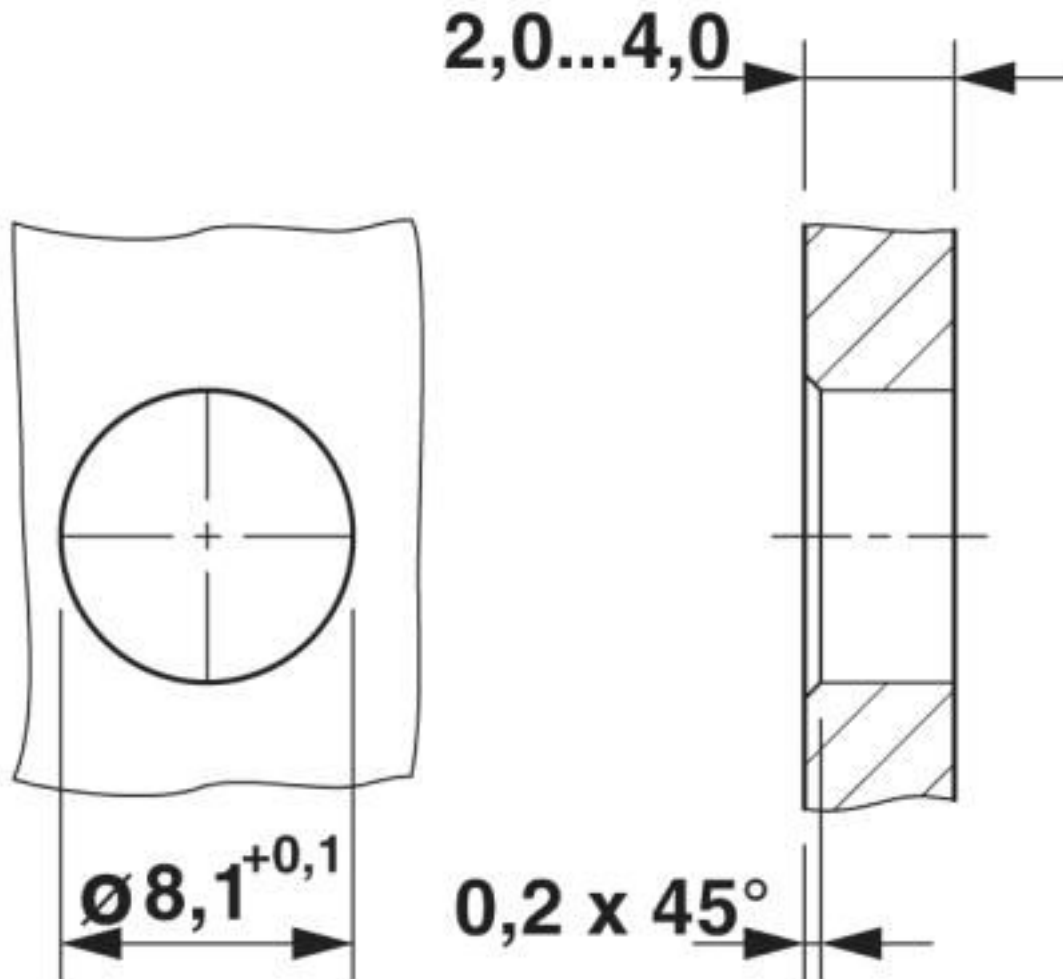
Drilling diagram



Drilling diagram

Flush-type connector - SACC-DSI-M8MS-6CON-M8-L90 SH - 1424244

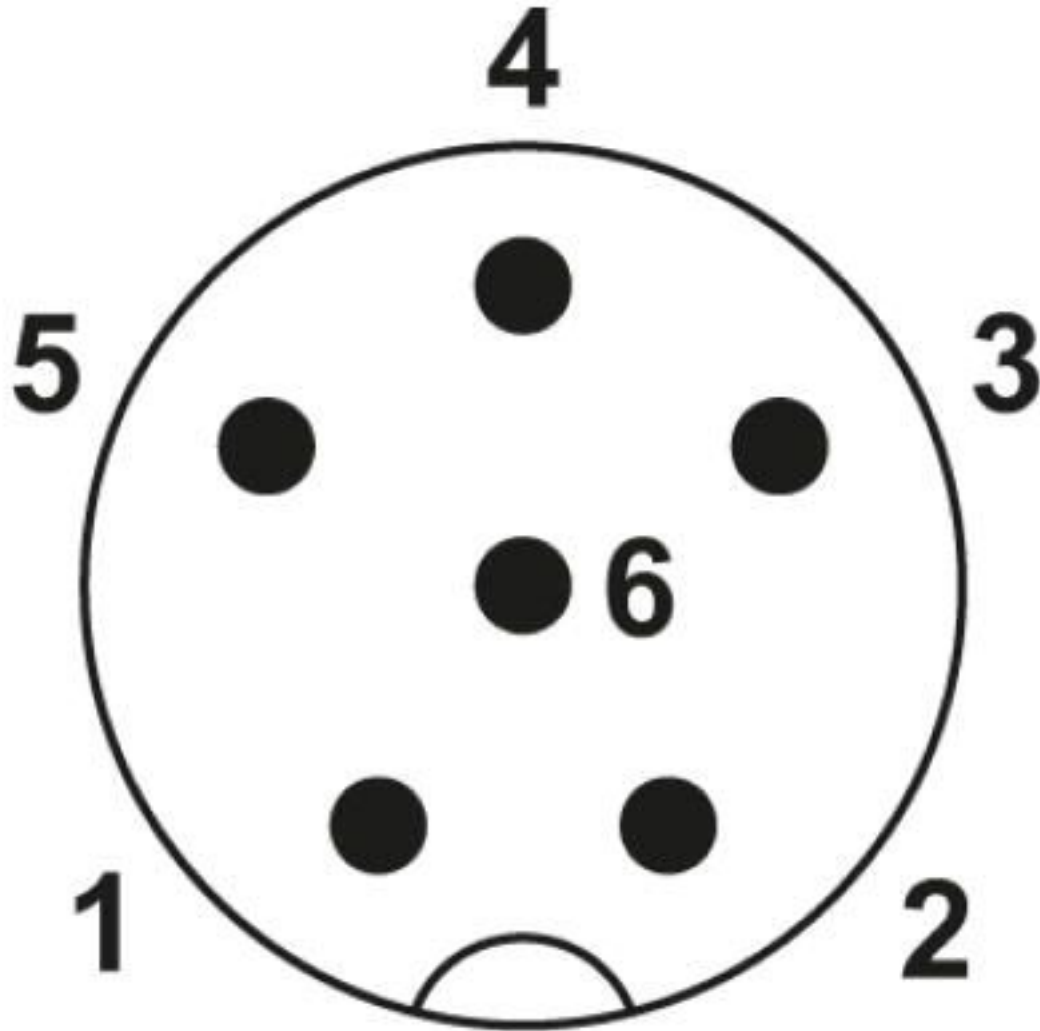
Dimensional drawing



Housing cutout for M8 flush-type connector, connector, one-section

Flush-type connector - SACC-DSI-M8MS-6CON-M8-L90 SH - 1424244

Schematic diagram



Pin assignment M8 plug, 6-pos., view male side

Classifications

eCl@ss

| | |
|---------------|----------|
| eCl@ss 10.0.1 | 27440102 |
| eCl@ss 4.0 | 27140800 |
| eCl@ss 4.1 | 27140800 |
| eCl@ss 5.0 | 27143400 |
| eCl@ss 5.1 | 27143400 |
| eCl@ss 6.0 | 27279200 |
| eCl@ss 7.0 | 27440103 |
| eCl@ss 8.0 | 27440103 |
| eCl@ss 9.0 | 27440102 |

Flush-type connector - SACC-DSI-M8MS-6CON-M8-L90 SH - 1424244

Classifications

ETIM

| | |
|----------|----------|
| ETIM 3.0 | EC002061 |
| ETIM 4.0 | EC002635 |
| ETIM 5.0 | EC002061 |
| ETIM 6.0 | EC002061 |

UNSPSC

| | |
|---------------|----------|
| UNSPSC 6.01 | 31251501 |
| UNSPSC 7.0901 | 31251501 |
| UNSPSC 11 | 31251501 |
| UNSPSC 12.01 | 31251501 |
| UNSPSC 13.2 | 39121413 |
| UNSPSC 18.0 | 39121413 |
| UNSPSC 19.0 | 39121413 |
| UNSPSC 20.0 | 39121413 |
| UNSPSC 21.0 | 39121413 |

Approvals


Approvals


Approvals

UL Recognized / cUL Recognized / EAC / cULus Recognized

Ex Approvals

Approval details

| | | | |
|----------------------------|---|---|---------------|
| UL Recognized |  | http://database.ul.com/cgi-bin/XYV/template/LISEXT/1FRAME/index.htm | FILE E 221474 |
| Nominal voltage UN | 30 V | | |
| Nominal current IN | 1.5 A | | |
| mm ² /AWG/kcmil | 26 | | |


| | | | |
|--------------------|---|---|---------------|
| cUL Recognized |  | http://database.ul.com/cgi-bin/XYV/template/LISEXT/1FRAME/index.htm | FILE E 221474 |
| Nominal voltage UN | 30 V | | |

Flush-type connector - SACC-DSI-M8MS-6CON-M8-L90 SH - 1424244

Approvals

| | |
|--------------------------------|-------|
| | |
| Nominal current I _N | 1.5 A |
| mm ² /AWG/kcmil | 26 |

| | | |
|-----|---|---------|
| EAC |  | B.01687 |
|-----|---|---------|

| | |
|------------------|---|
| cULus Recognized |  |
|------------------|---|

Phoenix Contact 2020 © - all rights reserved
<http://www.phoenixcontact.com>

PHOENIX CONTACT GmbH & Co. KG
Flachsmarktstr. 8
32825 Blomberg
Germany
Tel. +49 5235 300
Fax +49 5235 3 41200
<http://www.phoenixcontact.com>

X-ON Electronics

Largest Supplier of Electrical and Electronic Components

Click to view similar products for [Circular Metric Connectors](#) category:

Click to view products by [Phoenix Contact](#) manufacturer:

Other Similar products are found below :

[600X518037X](#) [6STD15PCR99B70A](#) [8R4000A16M020](#) [8R5000A16M005](#) [1200910002](#) [1203580030](#) [1200910008](#) [1200910011](#) [1300140094](#)
[130203-0054](#) [1300140026](#) [1300150099](#) [RF-12S1N8A90DU](#) [1-3637-600-5205](#) [1612618](#) [21036836414](#) [8R4006A16M010](#) [1604232](#)
[1R3006A20M005](#) [RF-12P1N8A90DU](#) [41-40011](#) [42-00006](#) [42-01015](#) [4-22279-4](#) [4-22281-1](#) [4-22284-9](#) [43-00113](#) [43-01088](#) [43-01203](#) [41-](#)
[40013](#) [42-00008](#) [43-00343](#) [43-01026](#) [43-01162](#) [43-01173](#) [43-10000](#) [XS3P-M421-2](#) [600X518050X](#) [SACC-DSI-FS-5P-PG9-L180 SC](#)
[8R5006A16M020](#) [8R5006A16M005](#) [8R4000A16M010](#) [6-22279-3](#) [1605332](#) [N03FA03144](#) [1300140077](#) [43-16213](#) [43-01338](#) [XS2RD4265](#)
[XS2R-D426-1](#)