

DIN rail mounting frame - HC-CIF-B06-24-BFAFL-PL - 1424338

Please be informed that the data shown in this PDF Document is generated from our Online Catalog. Please find the complete data in the user's documentation. Our General Terms of Use for Downloads are valid (<http://phoenixcontact.com/download>)




DIN rail mounting frame, type: B6 - B24, for contact inserts



COMPLIANT

Key Commercial Data

Packing unit	1 pc
GTIN	 4 055626 370767
GTIN	4055626370767

Technical data

Dimensions

Length	120 mm
Width	48 mm
Height	86 mm

Ambient conditions

Ambient temperature (operation)	-40 °C ... 125 °C
---------------------------------	-------------------

General

Note	for B, BB, DD, HV contact inserts and module frame
	Protection against electric shock must be ensured by the user. The continuity of the PE connection must be verified and satisfied by the user. The PE connection must be implemented equilaterally.
Size	B6 - B24
Material	PC
Flammability rating according to UL 94	V0
Color	traffic grey
Note	for B, BB, DD, HV contact inserts and module frame
Mounting type	DIN rail: 35 mm

Standards and Regulations

DIN rail mounting frame - HC-CIF-B06-24-BFAFL-PL - 1424338

Technical data

Standards and Regulations

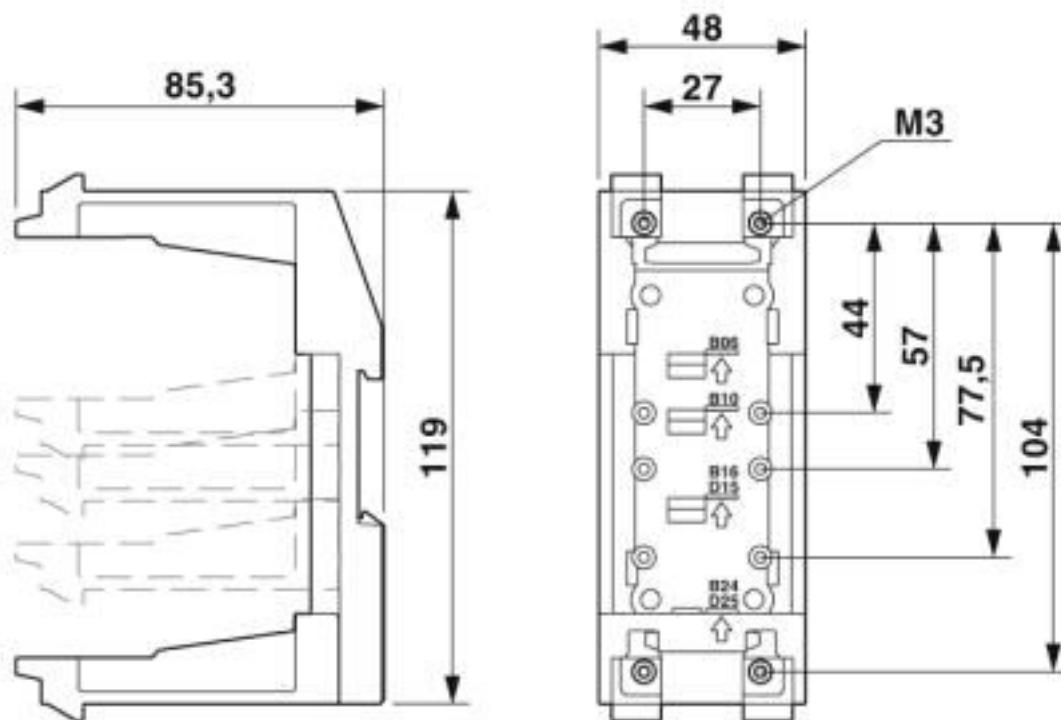
Flammability rating according to UL 94	V0
--	----

Environmental Product Compliance

REACH SVHC	Lead 7439-92-1
China RoHS	Environmentally Friendly Use Period = 50 years
	For details about hazardous substances go to tab "Downloads", Category "Manufacturer's declaration"

Drawings

Dimensional drawing



Dimensional drawing

Classifications

eCl@ss

eCl@ss 10.0.1	27440210
eCl@ss 5.1	27143424
eCl@ss 6.0	27261200
eCl@ss 7.0	27440206
eCl@ss 8.0	27440206
eCl@ss 9.0	27440210

DIN rail mounting frame - HC-CIF-B06-24-BFAFL-PL - 1424338

Classifications

ETIM

ETIM 5.0	EC002310
ETIM 6.0	EC002310
ETIM 7.0	EC002310

Approvals

Approvals

Approvals

UL Recognized / cUL Recognized / EAC / cULus Recognized

Ex Approvals

Approval details

UL Recognized		http://database.ul.com/cgi-bin/XYV/template/LISEXT/1FRAME/index.htm	E118976
---------------	--	---	---------

cUL Recognized		http://database.ul.com/cgi-bin/XYV/template/LISEXT/1FRAME/index.htm	E118976
----------------	--	---	---------

EAC			EAC-Zulassung
-----	--	--	---------------

cULus Recognized			
------------------	--	--	--

Accessories

Accessories

Adapter

DIN rail mounting frame - HC-CIF-B06-24-BFAFL-PL - 1424338

Accessories

Connection element - HC-CIF-B06-24-AEWL-PL-BK - 1424342



Connection element, type: B6 - B24

Adapter insert - HC-CIF-D15-AIWS-SM-NI - 1424340



Adapter insert, type: D15

Adapter insert - HC-CIF-D25-AIWS-SM-NI - 1424341



Adapter insert, type: D25

Additional products

DIN rail mounting frame - HC-CIF-B06-HFWL-PL - 1424334



HEAVYCON DIN rail mounting frame, for type B6 contact inserts

DIN rail mounting frame - HC-CIF-B10-HFWL-PL - 1424335



HEAVYCON DIN rail mounting frame, for type B10 contact inserts

DIN rail mounting frame - HC-CIF-B06-24-BFAFL-PL - 1424338

Accessories

DIN rail mounting frame - HC-CIF-B16-HFWL-PL - 1424336



HEAVYCON DIN rail mounting frame, for type B16 contact inserts

DIN rail mounting frame - HC-CIF-B24-HFWL-PL - 1424337



HEAVYCON DIN rail mounting frame, for type B24 contact inserts

Phoenix Contact 2020 © - all rights reserved
<http://www.phoenixcontact.com>

PHOENIX CONTACT GmbH & Co. KG
Flachsmarktstr. 8
32825 Blomberg
Germany
Tel. +49 5235 300
Fax +49 5235 3 41200
<http://www.phoenixcontact.com>

X-ON Electronics

Largest Supplier of Electrical and Electronic Components

Click to view similar products for [Heavy Duty Power Connectors](#) category:

Click to view products by [Phoenix Contact](#) manufacturer:

Other Similar products are found below :

[647757-1](#) [6643411-1](#) [6646058-2](#) [6646137-1](#) [6646138-1](#) [6646479-1](#) [6646608-1](#) [6646786-1](#) [6646940-1](#) [6651091-1](#) [6651525-1](#) [6651529-1](#)
[6651788-1](#) [696475-1](#) [702-32-01109](#) [703-25-02205](#) [73000005059](#) [73000005642](#) [765-15-0080A](#) [765-16-0080B](#) [765-18-0080D](#) [829992-1](#)
[902-77-02113](#) [PS00/A0620/6300](#) [129-1J](#) [1409400](#) [AN0024023](#) [E6374G1](#) [e6389g2](#) [157-43GW8](#) [MS3117-14AC](#) [1643543-1](#) [1650540-1](#)
[1651811-2](#) [1766260-1](#) [1766282-1](#) [1766966-1](#) [1791340000](#) [NLDFT-3-BL-L-S120-M40A](#) [NLDFT-N-W-L-C240-M40B](#) [NLS-2-R-C240-](#)
[M40B](#) [NLS-N-W-C240-M40B](#) [NPS-3-BL-T6](#) [1986615-1](#) [2-1589900-8](#) [2199314-1](#) [KA8102](#) [9300480317](#) [SBS50BRN#6](#) [29131](#)