

Housing - HC-STA-D50-SHWD-2SSM32-ELC-AL - 1424414

Please be informed that the data shown in this PDF Document is generated from our Online Catalog. Please find the complete data in the user's documentation. Our General Terms of Use for Downloads are valid (<http://phoenixcontact.com/download>)




Box mounting bases D50, with double locking latch, material: Die-cast aluminum, salt water resistant, cable outlets: 2, lateral, height: 82 mm, cable gland: none, support sleeve: no, 2x M32, Standard



COMPLIES WITH

Key Commercial Data

| | |
|--------------|---|
| Packing unit | 1 pc |
| GTIN |  4 055626 371542 |
| GTIN | 4055626371542 |

Technical data

Dimensions

| | |
|--------|--------|
| Height | 82 mm |
| Width | 70 mm |
| Length | 106 mm |

Ambient conditions

| | |
|---------------------------------|-------------------|
| Degree of protection (IP) | IP66 |
| | IP67 |
| Ambient temperature (operation) | -40 °C ... 125 °C |

General

| | |
|------------------------------|---|
| Size | D50 |
| Housing type | Box mounting bases |
| Color | gray aluminum |
| Locking type | with double locking latch |
| No. of cable outlets | 2 |
| Cable outlet | lateral |
| Screw connection | none |
| Type of the screw connection | 2x M32 |
| Housing material | Die-cast aluminum, salt water resistant |

Housing - HC-STA-D50-SHWD-2SSM32-ELC-AL - 1424414

Technical data

General

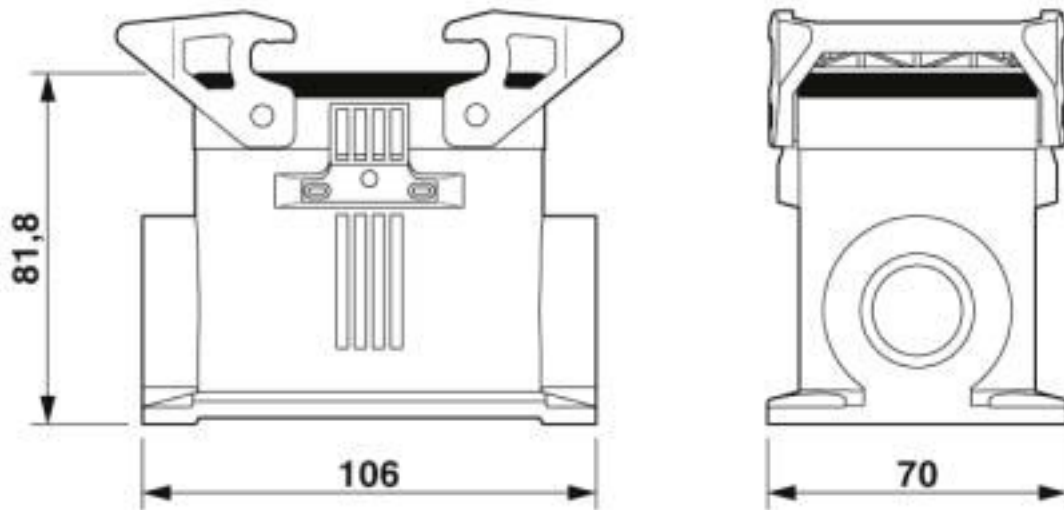
| | |
|--|---|
| Housing surface material | uncoated |
| Seal material | NBR, conductive |
| Material lock | PA |
| Flammability rating according to UL 94 | V0 (Interlock) |
| Assembly instructions | One opening is sealed with a plastic filler plug and can be opened using a screwdriver. |

Environmental Product Compliance

| | |
|------------|---|
| China RoHS | Environmentally Friendly Use Period = 50 years |
| | For details about hazardous substances go to tab "Downloads", Category "Manufacturer's declaration" |

Drawings

Dimensional drawing



Dimensional drawing

Classifications

eCl@ss

| | |
|---------------|----------|
| eCl@ss 10.0.1 | 27440202 |
| eCl@ss 5.1 | 27261200 |
| eCl@ss 6.0 | 27261200 |
| eCl@ss 7.0 | 27440202 |
| eCl@ss 8.0 | 27440202 |
| eCl@ss 9.0 | 27440202 |

Housing - HC-STA-D50-SHWD-2SSM32-ELC-AL - 1424414

Classifications

ETIM

| | |
|----------|----------|
| ETIM 5.0 | EC000437 |
| ETIM 6.0 | EC000437 |
| ETIM 7.0 | EC000437 |

Approvals

Approvals

Approvals

UL Recognized / cUL Recognized / DNV GL / EAC / cULus Recognized

Ex Approvals

Approval details

| | | | |
|---------------|--|---|---------|
| UL Recognized | | http://database.ul.com/cgi-bin/XYV/template/LISEXT/1FRAME/index.htm | E255026 |
|---------------|--|---|---------|

| | | | |
|----------------|--|---|---------|
| cUL Recognized | | http://database.ul.com/cgi-bin/XYV/template/LISEXT/1FRAME/index.htm | E255026 |
|----------------|--|---|---------|

| | | | |
|--------|--|---|------------|
| DNV GL | | https://approvalfinder.dnvgl.com/ | TAE000037S |
|--------|--|---|------------|

| | | | |
|-----|--|--|---------------|
| EAC | | | EAC-Zulassung |
|-----|--|--|---------------|

| | | | |
|------------------|--|--|--|
| cULus Recognized | | | |
|------------------|--|--|--|

Accessories

Accessories

Full screw connection

Housing - HC-STA-D50-SHWD-2SSM32-ELC-AL - 1424414

Accessories

Cable gland - G-INS-M32-M68N-NNES-S - 1411166



Cable gland, cable gland material: Nickel-plated brass, external cable diameter 15 mm ... 21 mm, shielding: no, connecting thread: M32 x 1.5, color: silver, with O-ring

Cable gland - G-INS-M32-S68N-NNES-S - 1424528



Cable gland, cable gland material: Nickel-plated brass, external cable diameter 13 mm ... 18 mm, shielding: no, connecting thread: M32 x 1.5, color: silver, with O-ring

Cable gland - G-INSEC-M32-M68N-NCRS-S - 1411191



Cable gland, cable gland material: Nickel-plated brass, external cable diameter 14 mm ... 21 mm, shielding: yes, connecting thread: M32 x 1.5, color: silver, with O-ring

Cable gland - G-INS-M32-M68N-SNES-S - 1424545



Cable gland, cable gland material: Stainless steel 1.4305, external cable diameter 15 mm ... 21 mm, shielding: no, connecting thread: M32 x 1.5, color: silver, with O-ring

Plug for cable screw gland

Screw plug - A-INSP-M32-65N-P-BK - 1415208



Screw plug, material: PA, connecting thread: M32 x 1.5, color: jet black RAL 9005, with O-ring

Housing - HC-STA-D50-SHWD-2SSM32-ELC-AL - 1424414

Accessories

Screw plug - HC-M-BS-M32 - 1645862



Screw plug, cable gland material: Nickel-plated brass, connecting thread: M32 x 1.5, color: silver

Phoenix Contact 2020 © - all rights reserved
<http://www.phoenixcontact.com>

PHOENIX CONTACT GmbH & Co. KG
Flachsmarktstr. 8
32825 Blomberg
Germany
Tel. +49 5235 300
Fax +49 5235 3 41200
<http://www.phoenixcontact.com>

X-ON Electronics

Largest Supplier of Electrical and Electronic Components

Click to view similar products for [Heavy Duty Power Connectors](#) category:

Click to view products by [Phoenix Contact](#) manufacturer:

Other Similar products are found below :

[647757-1](#) [6643411-1](#) [6646058-2](#) [6646137-1](#) [6646138-1](#) [6646479-1](#) [6646608-1](#) [6646786-1](#) [6646940-1](#) [6651091-1](#) [6651525-1](#) [6651529-1](#)
[6651788-1](#) [696475-1](#) [702-32-01109](#) [703-25-02205](#) [73000005059](#) [73000005642](#) [765-15-0080A](#) [765-16-0080B](#) [765-18-0080D](#) [829992-1](#)
[902-77-02113](#) [PS00/A0620/6300](#) [129-1J](#) [1409400](#) [AN0024023](#) [E6374G1](#) [e6389g2](#) [157-43GW8](#) [MS3117-14AC](#) [1643543-1](#) [1650540-1](#)
[1651811-2](#) [1766260-1](#) [1766282-1](#) [1766966-1](#) [1791340000](#) [NLDFT-3-BL-L-S120-M40A](#) [NLDFT-N-W-L-C240-M40B](#) [NLS-2-R-C240-](#)
[M40B](#) [NLS-N-W-C240-M40B](#) [NPS-3-BL-T6](#) [1986615-1](#) [2-1589900-8](#) [2199314-1](#) [KA8102](#) [9300480317](#) [SBS50BRN#6](#) [29131](#)