

Housing - HC-STA-D50-SHWD-2SSP21-ELC-AL - 1424415

Please be informed that the data shown in this PDF Document is generated from our Online Catalog. Please find the complete data in the user's documentation. Our General Terms of Use for Downloads are valid (<http://phoenixcontact.com/download>)




Box mounting bases D50, with double locking latch, material: Die-cast aluminum, salt water resistant, cable outlets: 2, lateral, height: 82 mm, cable gland: Pg21, support sleeve: yes, 2x Pg21, Standard



COMPLIES WITH

Key Commercial Data

Packing unit	1 pc
GTIN	 4 055626 371559
GTIN	4055626371559

Technical data

Dimensions

Height	82 mm
Width	70 mm
Length	106 mm

Ambient conditions

Degree of protection (IP)	IP66
	IP67
Ambient temperature (operation)	-40 °C ... 125 °C

General

Size	D50
Housing type	Box mounting bases
Color	gray aluminum
Locking type	with double locking latch
No. of cable outlets	2
Cable outlet	lateral
Screw connection	Pg21
Type of the screw connection	2x Pg21
Housing material	Die-cast aluminum, salt water resistant

Housing - HC-STA-D50-SHWD-2SSP21-ELC-AL - 1424415

Technical data

General

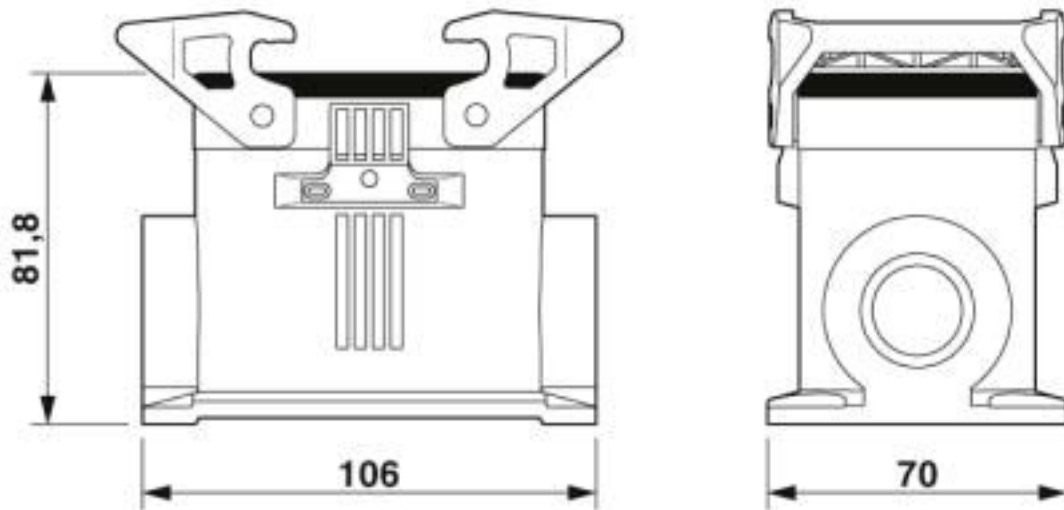
Housing surface material	uncoated
Seal material	NBR, conductive
Material lock	PA
Flammability rating according to UL 94	V0 (Interlock)
Assembly instructions	One opening is sealed with a plastic filler plug and can be opened using a screwdriver.

Environmental Product Compliance

China RoHS	Environmentally Friendly Use Period = 50 years
	For details about hazardous substances go to tab "Downloads", Category "Manufacturer's declaration"

Drawings

Dimensional drawing



Dimensional drawing

Classifications

eCl@ss

eCl@ss 10.0.1	27440202
eCl@ss 5.1	27261200
eCl@ss 6.0	27261200
eCl@ss 7.0	27440202
eCl@ss 8.0	27440202
eCl@ss 9.0	27440202

Housing - HC-STA-D50-SHWD-2SSP21-ELC-AL - 1424415

Classifications

ETIM

ETIM 5.0	EC000437
ETIM 6.0	EC000437
ETIM 7.0	EC000437

Approvals

Approvals

Approvals

UL Recognized / cUL Recognized / DNV GL / EAC / cULus Recognized

Ex Approvals

Approval details

UL Recognized		http://database.ul.com/cgi-bin/XYV/template/LISEXT/1FRAME/index.htm	E255026
---------------	--	---	---------

cUL Recognized		http://database.ul.com/cgi-bin/XYV/template/LISEXT/1FRAME/index.htm	E255026
----------------	--	---	---------

DNV GL		https://approvalfinder.dnvgl.com/	TAE000037S
--------	--	---	------------

EAC			EAC-Zulassung
-----	--	--	---------------

cULus Recognized			
------------------	--	--	--

Accessories

Accessories

Full screw connection

Housing - HC-STA-D50-SHWD-2SSP21-ELC-AL - 1424415

Accessories

Cable gland - G-INS-PG21-M68N-NNES-S - 1411175



Cable gland, cable gland material: Nickel-plated brass, external cable diameter 13 mm ... 18 mm, shielding: no, connecting thread: Pg21, color: silver, with O-ring

Cable gland - G-INSEC-PG21-M68N-NNES-S - 1411200



Cable gland, cable gland material: Nickel-plated brass, external cable diameter 13 mm ... 18 mm, shielding: yes, connecting thread: Pg21, color: silver, with O-ring

Plug for cable screw gland

Screw plug - A-INSP-PG21-65N-P-BK - 1415214



Screw plug, material: PA, connecting thread: Pg21, color: jet black RAL 9005, with O-ring

Screw plug - HC-BS-PG21 - 1674529



Screw plug, material: Brass, nickel-plated, connecting thread: Pg21, color: silver

Phoenix Contact 2020 © - all rights reserved
<http://www.phoenixcontact.com>

PHOENIX CONTACT GmbH & Co. KG
Flachsmarktstr. 8
32825 Blomberg
Germany
Tel. +49 5235 300
Fax +49 5235 3 41200
<http://www.phoenixcontact.com>

X-ON Electronics

Largest Supplier of Electrical and Electronic Components

Click to view similar products for [Heavy Duty Power Connectors](#) category:

Click to view products by [Phoenix Contact](#) manufacturer:

Other Similar products are found below :

[647757-1](#) [6643411-1](#) [6646058-2](#) [6646137-1](#) [6646138-1](#) [6646479-1](#) [6646608-1](#) [6646786-1](#) [6646940-1](#) [6651091-1](#) [6651525-1](#) [6651529-1](#)
[6651788-1](#) [696475-1](#) [702-32-01109](#) [703-25-02205](#) [73000005059](#) [73000005642](#) [73080255059](#) [73080965046](#) [765-15-0080A](#) [765-16-0080B](#)
[765-18-0080D](#) [829992-1](#) [902-77-02113](#) [PS00/A0620/6300](#) [PS25/A0420/63](#) [129-1J](#) [1409400](#) [AN0024023](#) [E6374G1](#) [e6389g2](#) [157-43GW8](#)
[MS3117-14AC](#) [1643543-1](#) [1650540-1](#) [1651811-2](#) [1766260-1](#) [1766282-1](#) [1766966-1](#) [1791340000](#) [NLDFT-3-BL-L-S120-M40A](#) [NLDFT-N-](#)
[W-L-C240-M40B](#) [NLS-2-R-C240-M40B](#) [NLS-N-W-C240-M40B](#) [NPS-3-BL-T6](#) [1986615-1](#) [2-1589900-8](#) [2199314-1](#) [KA8102](#)