

Protective covers - HC-STA-D50-BCSFD-PL-BK - 1424417

Please be informed that the data shown in this PDF Document is generated from our Online Catalog. Please find the complete data in the user's documentation. Our General Terms of Use for Downloads are valid (<http://phoenixcontact.com/download>)

Protective cover D50, for double locking latch, protective cover material: PA, height: 19 mm, seal: no, Standard



Key Commercial Data

| | |
|--------------|---------------|
| Packing unit | 1 pc |
| GTIN | |
| GTIN | 4055626371573 |

Technical data

Dimensions

| | |
|--------|---------|
| Height | 19 mm |
| Width | 60.5 mm |
| Length | 86.5 mm |

Ambient conditions

| | |
|---------------------------------|-------------------|
| Degree of protection (IP) | IP66 |
| Ambient temperature (operation) | -20 °C ... 100 °C |

General

| | |
|--|--|
| Note | Protective cover for supporting base element with double locking latch |
| Size | D50 |
| Type | for supporting base element with double locking latch |
| Housing type | Protective cover |
| Color | black |
| Locking type | for double locking latch |
| Material | PA |
| Material, protective cover | PA |
| Flammability rating according to UL 94 | V0 |
| Connection | Plastic protective cover for short-term protection |

Protective covers - HC-STA-D50-BCSFD-PL-BK - 1424417

Technical data

Standards and Regulations

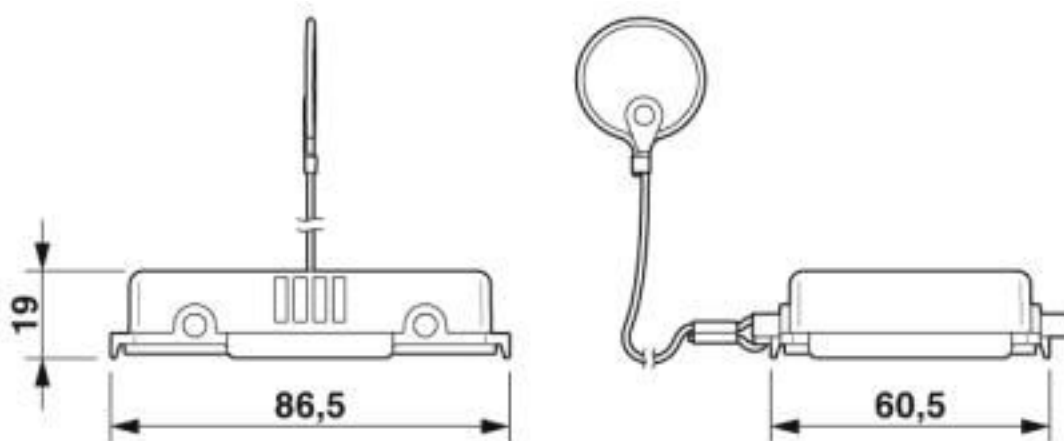
| | |
|--|----|
| Flammability rating according to UL 94 | V0 |
|--|----|

Environmental Product Compliance

| | |
|------------|---|
| China RoHS | Environmentally Friendly Use Period = 50 years |
| | For details about hazardous substances go to tab "Downloads", Category "Manufacturer's declaration" |

Drawings

Dimensional drawing



Dimensional drawing

Classifications

eCl@ss

| | |
|---------------|----------|
| eCl@ss 10.0.1 | 27440208 |
| eCl@ss 5.1 | 27143424 |
| eCl@ss 6.0 | 27261200 |
| eCl@ss 7.0 | 27440208 |
| eCl@ss 8.0 | 27440208 |
| eCl@ss 9.0 | 27440208 |

ETIM

| | |
|----------|----------|
| ETIM 5.0 | EC002314 |
| ETIM 6.0 | EC002314 |
| ETIM 7.0 | EC002314 |

Approvals

Approvals

Protective covers - HC-STA-D50-BCSFD-PL-BK - 1424417

Approvals


Approvals

DNV GL / EAC

Ex Approvals

Approval details

| | | | |
|--------|---|---|------------|
| DNV GL |  | https://approvalfinder.dnvgl.com/ | TAE000037S |
|--------|---|---|------------|

| | | | |
|-----|---|--|---------------|
| EAC |  | | EAC-Zulassung |
|-----|---|--|---------------|

Phoenix Contact 2020 © - all rights reserved
<http://www.phoenixcontact.com>

PHOENIX CONTACT GmbH & Co. KG
Flachsmarktstr. 8
32825 Blomberg
Germany
Tel. +49 5235 300
Fax +49 5235 3 41200
<http://www.phoenixcontact.com>

X-ON Electronics

Largest Supplier of Electrical and Electronic Components

Click to view similar products for [Heavy Duty Power Connectors](#) category:

Click to view products by [Phoenix Contact](#) manufacturer:

Other Similar products are found below :

[647757-1](#) [6643411-1](#) [6646058-2](#) [6646137-1](#) [6646138-1](#) [6646479-1](#) [6646608-1](#) [6646786-1](#) [6646940-1](#) [6651091-1](#) [6651525-1](#) [6651529-1](#)
[6651788-1](#) [696475-1](#) [702-32-01109](#) [703-25-02205](#) [73000005059](#) [73000005642](#) [73080255059](#) [73080965046](#) [765-15-0080A](#) [765-16-0080B](#)
[765-18-0080D](#) [829992-1](#) [902-77-02113](#) [PS00/A0620/6300](#) [PS25/A0420/63](#) [129-1J](#) [1409400](#) [AN0024023](#) [E6374G1](#) [e6389g2](#) [157-43GW8](#)
[MS3117-14AC](#) [1643543-1](#) [1650540-1](#) [1651811-2](#) [1766260-1](#) [1766282-1](#) [1766966-1](#) [1791340000](#) [NLDFT-3-BL-L-S120-M40A](#) [NLDFT-N-](#)
[W-L-C240-M40B](#) [NLS-2-R-C240-M40B](#) [NLS-N-W-C240-M40B](#) [NPS-3-BL-T6](#) [1986615-1](#) [2-1589900-8](#) [2199314-1](#) [KA8102](#)