

# Housing - HC-EVO-M1-HHFS-PLBK - 1424436

Please be informed that the data shown in this PDF Document is generated from our Online Catalog. Please find the complete data in the user's documentation. Our General Terms of Use for Downloads are valid (<http://phoenixcontact.com/download>)




Sleeve housing, plastic, with bayonet flange for EVO-D screw connection, M1, for single locking latch, for modular contact inserts with single module width, without EVO screw connection



COMPLIANT

## Key Commercial Data

Packing unit	1 pc
GTIN	 4 055626 372556
GTIN	4055626372556

## Technical data

### Dimensions

Height	72 mm
Width	30.4 mm
Length	50 mm

### Ambient conditions

Degree of protection of housing (IP)	IP66
Degree of protection of housing (NEMA)	12
Ambient temperature (operation)	-40 °C ... 125 °C

### General

Note	for single module width modular contact inserts from the HEAVYCON modular system
Size	M1
Housing type	Sleeve housing
Color	black
Locking type	for single locking latch
No. of cable outlets	1
Cable outlet	straight
	lateral

# Housing - HC-EVO-M1-HHFS-PLBK - 1424436

## Technical data

### General

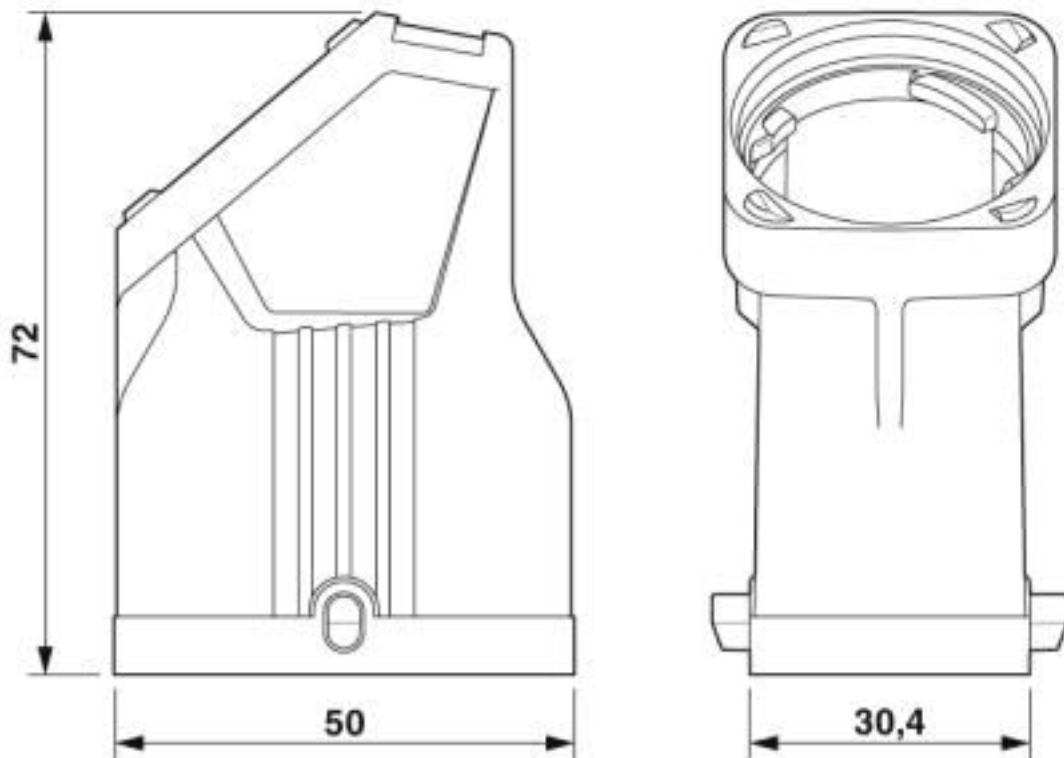
Screw connection	none
Protective cover	no
Housing material	PA
Flammability rating according to UL 94	V0 (Housing)
Connection	The sleeve base housing must be supplemented with the EVO screw connection. The EVO screw connection is available in 2 sizes. It enables the creation of a straight or lateral cable outlet. The EVO screw connection is mounted by hand or with the aid of a pipe wrench, for example.

### Environmental Product Compliance

China RoHS	Environmentally friendly use period: unlimited = EFUP-e
	No hazardous substances above threshold values

## Drawings

Dimensional drawing



Dimensional drawing

# Housing - HC-EVO-M1-HHFS-PLBK - 1424436

Dimensional drawing

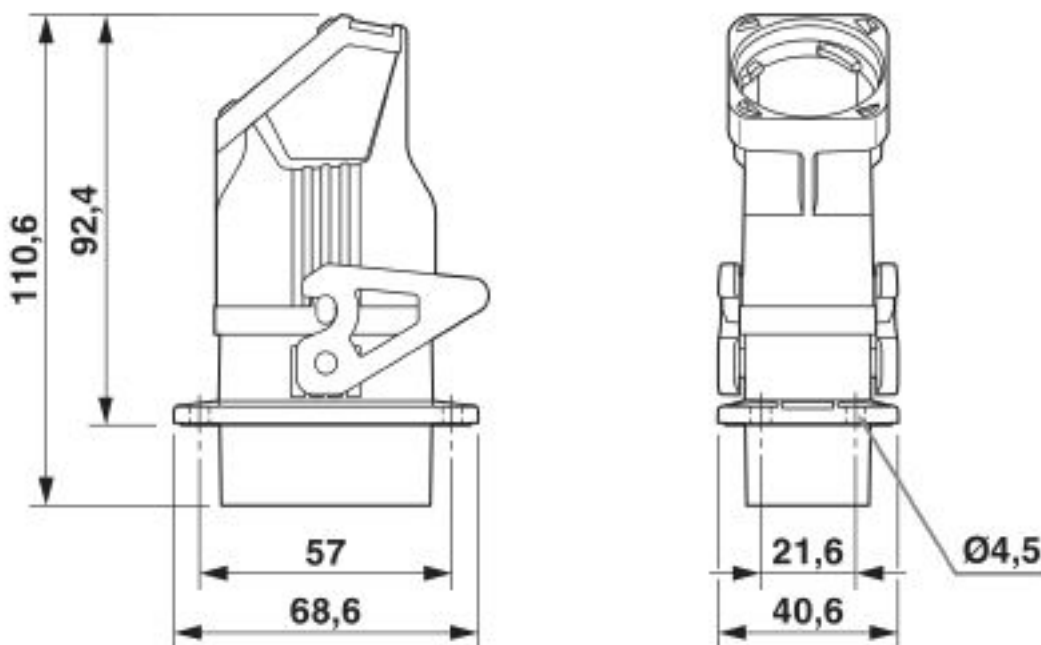


Figure may contain other products.

## Classifications

eCl@ss

eCl@ss 10.0.1	27440202
eCl@ss 5.1	27261200
eCl@ss 6.0	27261200
eCl@ss 7.0	27440202
eCl@ss 8.0	27440202
eCl@ss 9.0	27440202

ETIM

ETIM 6.0	EC000437
ETIM 7.0	EC000437

## Approvals

Approvals

Approvals

EAC / DNV GL

Ex Approvals

# Housing - HC-EVO-M1-HHFS-PLBK - 1424436

## Approvals

### Approval details

EAC		RU C- DE.AI30.B.01102
-----	--	--------------------------

DNV GL		<a href="https://approvalfinder.dnvgl.com/">https://approvalfinder.dnvgl.com/</a>	TAE000037S
--------	--	-----------------------------------------------------------------------------------	------------

## Accessories

### Accessories

#### Cable gland with bayonet locking

Cable gland - HC-D-G-M20-PLRBK - 1411350



EVO plastic cable gland with bayonet locking, for housing series D, size M20, cable diameter: 7 - 13 mm.

Cable gland - HC-D-G-M25-PLRBK - 1411351



EVO plastic cable gland with bayonet locking, for housing series D, size M25, cable diameter: 9 ... 17 mm.

## Modular contact insert

Contact insert module - HC-1/2M-UT-M-6-PE - 1424439



Contact insert module, Pin, leading, Screw connection, 0.5 mm<sup>2</sup> ... 6 mm<sup>2</sup>, application: PE transmission, for housing size HC-EVO-M1

Phoenix Contact 2020 © - all rights reserved  
<http://www.phoenixcontact.com>

PHOENIX CONTACT GmbH & Co. KG  
Flachmarktstr. 8  
32825 Blomberg  
Germany  
Tel. +49 5235 300  
Fax +49 5235 3 41200  
<http://www.phoenixcontact.com>

## X-ON Electronics

Largest Supplier of Electrical and Electronic Components

*Click to view similar products for [Heavy Duty Power Connectors](#) category:*

*Click to view products by [Phoenix Contact](#) manufacturer:*

Other Similar products are found below :

[647757-1](#) [6643411-1](#) [6646058-2](#) [6646137-1](#) [6646138-1](#) [6646479-1](#) [6646608-1](#) [6646786-1](#) [6646940-1](#) [6651091-1](#) [6651525-1](#) [6651529-1](#)  
[6651788-1](#) [696475-1](#) [702-32-01109](#) [703-25-02205](#) [73000005059](#) [73000005642](#) [73080255059](#) [73080965046](#) [765-15-0080A](#) [765-16-0080B](#)  
[765-18-0080D](#) [829992-1](#) [902-77-02113](#) [PS00/A0620/6300](#) [PS25/A0420/63](#) [129-1J](#) [1409400](#) [AN0024023](#) [E6374G1](#) [e6389g2](#) [157-43GW8](#)  
[MS3117-14AC](#) [1643543-1](#) [1650540-1](#) [1651811-2](#) [1766260-1](#) [1766282-1](#) [1766966-1](#) [1791340000](#) [NLDFT-3-BL-L-S120-M40A](#) [NLDFT-N-](#)  
[W-L-C240-M40B](#) [NLS-2-R-C240-M40B](#) [NLS-N-W-C240-M40B](#) [NPS-3-BL-T6](#) [1986615-1](#) [2-1589900-8](#) [2199314-1](#) [KA8102](#)