

Housing - HC-EVO-M1-BWS-PLRBK - 1424437

Please be informed that the data shown in this PDF Document is generated from our Online Catalog. Please find the complete data in the user's documentation. Our General Terms of Use for Downloads are valid (<http://phoenixcontact.com/download>)



Panel mounting base M1, with single locking latch, material: PA, height: 24 mm, cable gland: none, support sleeve: no, protective cover: no, Standard, for modular contact inserts



Key Commercial Data

Packing unit	1 pc
GTIN	
GTIN	4055626372563

Technical data

Dimensions

Height	24 mm
Width	40.6 mm
Length	68.6 mm
Length of the assembly cutout	48.2 mm
Width of the assembly cutout	28.6 mm

Ambient conditions

Degree of protection of housing (IP)	IP66
Ambient temperature (operation)	-40 °C ... 125 °C

General

Note	for single module width modular contact inserts from the HEAVYCON modular system
Size	M1
Housing type	Panel mounting base
Color	black
Locking type	with single locking latch
Screw connection	none
Protective cover	no

Housing - HC-EVO-M1-BWS-PLRBK - 1424437

Technical data

General

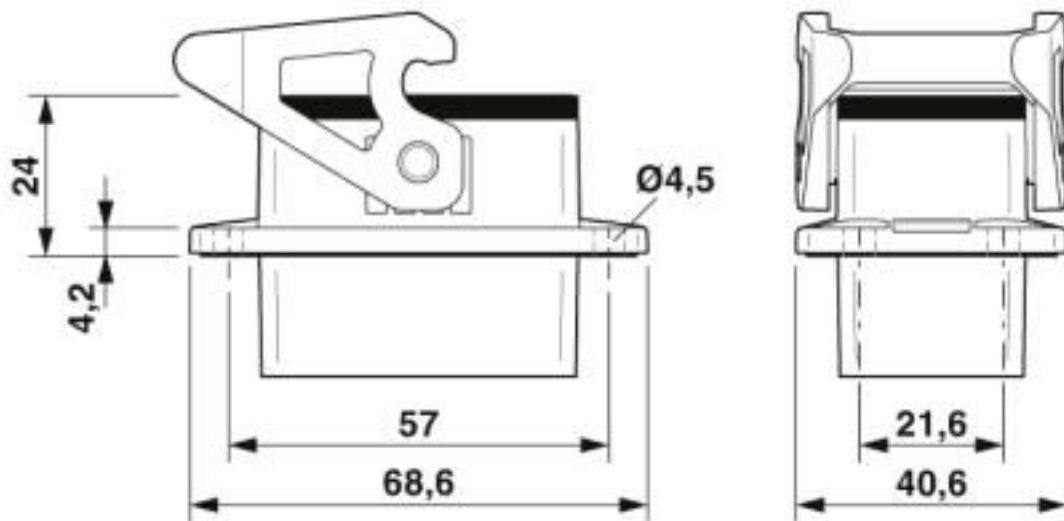
Housing material	PA
Seal material	NBR, conductive
Material lock	PA
Flammability rating according to UL 94	V0 (Housing)
	V0 (Interlock)
Connection	The housing can accommodate all Phoenix Contact modules with single module width. Exception: Push-in TWIN modules with Order Nos. 1423962 and 1423961 may not be used due to the lack of rotation protection.

Environmental Product Compliance

China RoHS	Environmentally Friendly Use Period = 50 years
	For details about hazardous substances go to tab "Downloads", Category "Manufacturer's declaration"

Drawings

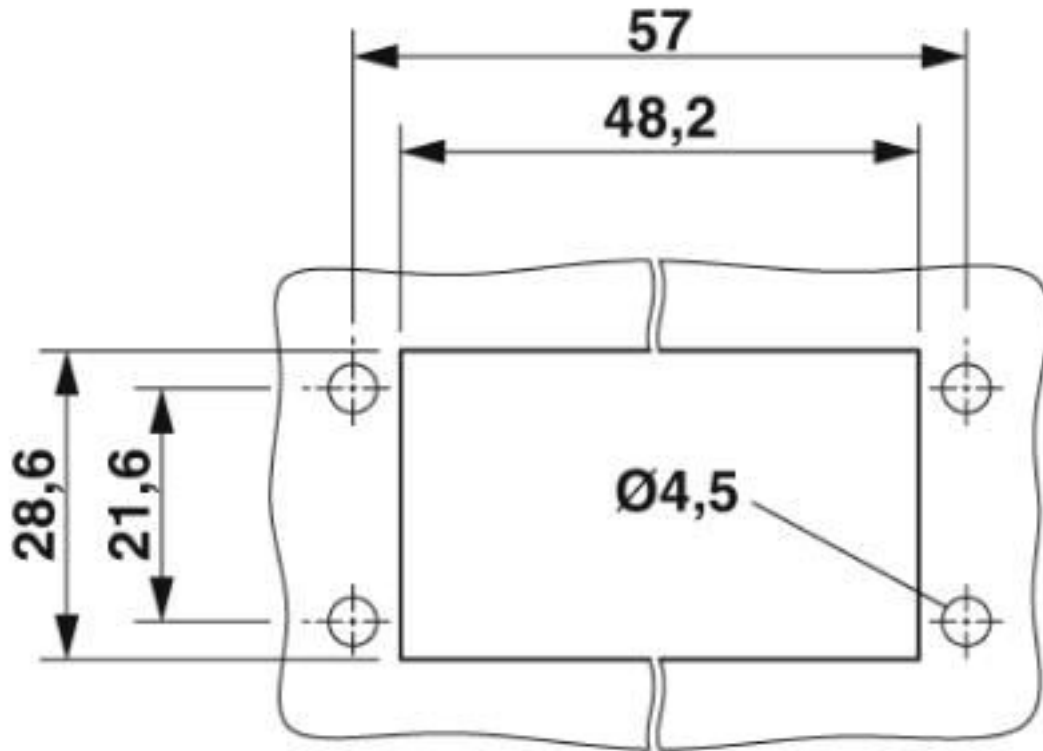
Dimensional drawing



Dimensional drawing

Housing - HC-EVO-M1-BWS-PLRBK - 1424437

Dimensional drawing



Mounting cutout

Housing - HC-EVO-M1-BWS-PLRBK - 1424437

Dimensional drawing

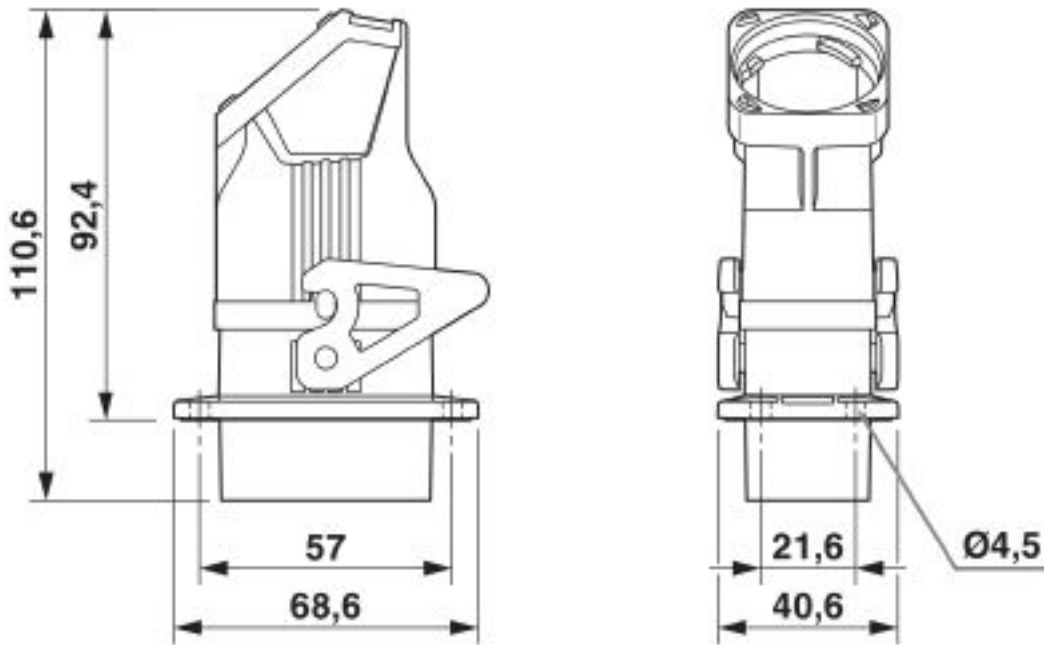


Figure may contain other products.

Classifications

eCl@ss

eCl@ss 10.0.1	27440202
eCl@ss 5.1	27261200
eCl@ss 6.0	27261200
eCl@ss 7.0	27440202
eCl@ss 8.0	27440202
eCl@ss 9.0	27440202

ETIM

ETIM 6.0	EC000437
ETIM 7.0	EC000437

Approvals

Approvals

Approvals


EAC / DNV GL

Ex Approvals

Housing - HC-EVO-M1-BWS-PLRBK - 1424437

Approvals

Approval details

EAC		RU C- DE.AI30.B.01102
-----	---	--------------------------

DNV GL		https://approvalfinder.dnvgl.com/	TAE000037S
--------	---	---	------------

Accessories

Accessories

Modular contact insert

Contact insert module - HC-1/2M-UT-F-6-PE - 1424438



Contact insert module, Socket, Screw connection, 0.5 mm² ... 6 mm², application: PE transmission, for housing size HC-EVO-M1

Phoenix Contact 2020 © - all rights reserved
<http://www.phoenixcontact.com>

PHOENIX CONTACT GmbH & Co. KG
Flachsmarktstr. 8
32825 Blomberg
Germany
Tel. +49 5235 300
Fax +49 5235 3 41200
<http://www.phoenixcontact.com>

X-ON Electronics

Largest Supplier of Electrical and Electronic Components

Click to view similar products for [Heavy Duty Power Connectors](#) category:

Click to view products by [Phoenix Contact](#) manufacturer:

Other Similar products are found below :

[647757-1](#) [6643411-1](#) [6646058-2](#) [6646137-1](#) [6646138-1](#) [6646479-1](#) [6646608-1](#) [6646786-1](#) [6646940-1](#) [6651091-1](#) [6651525-1](#) [6651529-1](#)
[6651788-1](#) [696475-1](#) [702-32-01109](#) [703-25-02205](#) [73000005059](#) [73000005642](#) [73080255059](#) [73080965046](#) [765-15-0080A](#) [765-16-0080B](#)
[765-18-0080D](#) [829992-1](#) [902-77-02113](#) [PS00/A0620/6300](#) [PS25/A0420/63](#) [129-1J](#) [1409400](#) [AN0024023](#) [E6374G1](#) [e6389g2](#) [157-43GW8](#)
[MS3117-14AC](#) [1643543-1](#) [1650540-1](#) [1651811-2](#) [1766260-1](#) [1766282-1](#) [1766966-1](#) [1791340000](#) [NLDFT-3-BL-L-S120-M40A](#) [NLDFT-N-](#)
[W-L-C240-M40B](#) [NLS-2-R-C240-M40B](#) [NLS-N-W-C240-M40B](#) [NPS-3-BL-T6](#) [1986615-1](#) [2-1589900-8](#) [2199314-1](#) [KA8102](#)