

Connector set - HC-EVO-A16PT-BWSC-HH-M25-PLRBK - 1424460


Please be informed that the data shown in this PDF Document is generated from our Online Catalog. Please find the complete data in the user's documentation. Our General Terms of Use for Downloads are valid (<http://phoenixcontact.com/download>)



Connector set, degree of protection: IP66, number of positions: 16, material: PA, connection method: Push-in connection, connection cross section: AWG 26- 14



Key Commercial Data

| | |
|--------------|---|
| Packing unit | 1 pc |
| GTIN |  4 055626 372891 |
| GTIN | 4055626372891 |

Technical data

General

| | |
|----------------------------------|---|
| Type | D25 |
| Connection method | Push-in connection |
| Degree of protection for housing | IP66 |
| | 12 (UL 50e) |
| Connection method | Push-in connection |
| Rated voltage (III/3) | 250 V |
| Rated surge voltage | 4 kV |
| Rated current | 16 A |
| Conductor cross section | 0.14 mm ² ... 2.5 mm ² (applies to stranded conductors with ferrules) |
| Connection cross section AWG | 26 ... 14 |
| External cable diameter | 9 mm ... 17 mm |
| Ambient temperature (operation) | -40 °C ... 100 °C |
| Length of the assembly cutout | 74 mm |
| Width of the assembly cutout | 24 mm |
| Housing material | PA |
| Contact carrier material | PC |
| Locking latch material | PA |

Connector set - HC-EVO-A16PT-BWSC-HH-M25-PLRBK - 1424460

Technical data

General

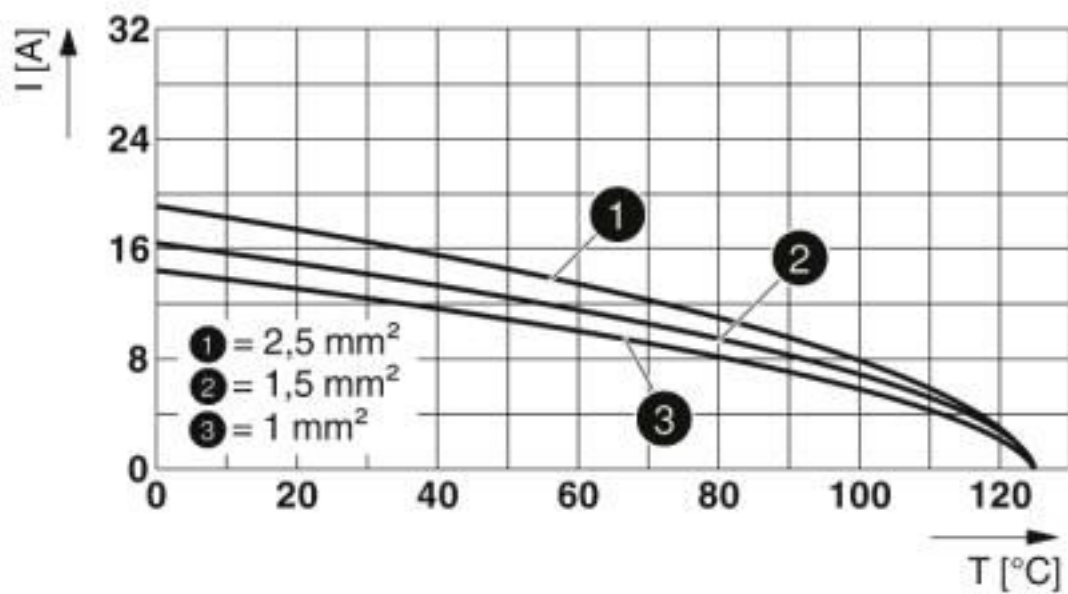
| | |
|-----------------------------|-----|
| Integrated protective cover | Yes |
|-----------------------------|-----|

Standards and Regulations

| | |
|--|----|
| Flammability rating according to UL 94 | V0 |
|--|----|

Drawings

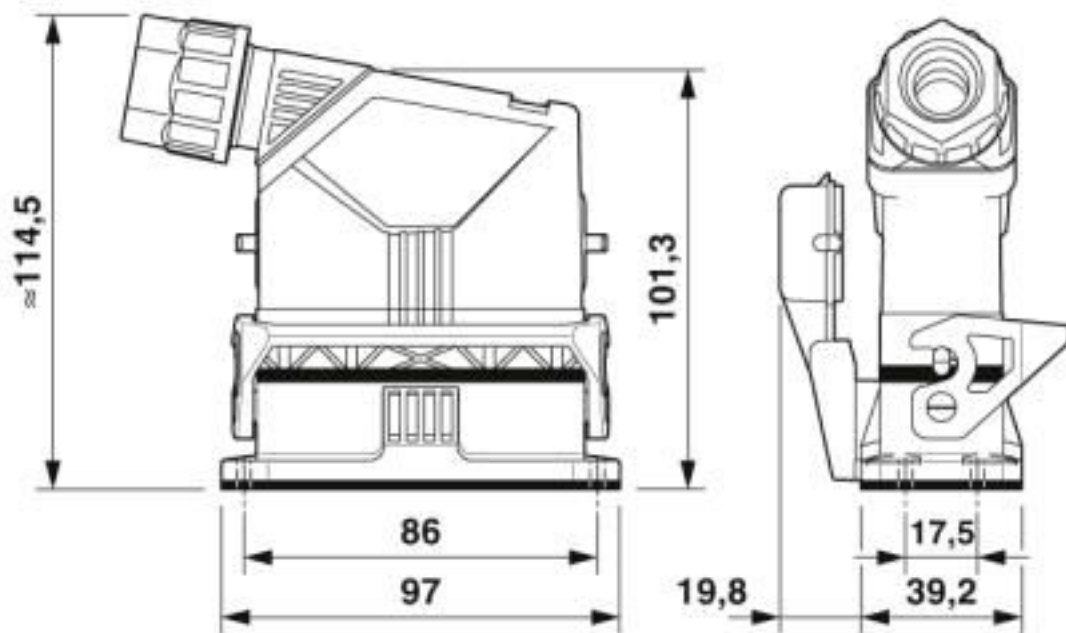
Diagram



Derating diagram

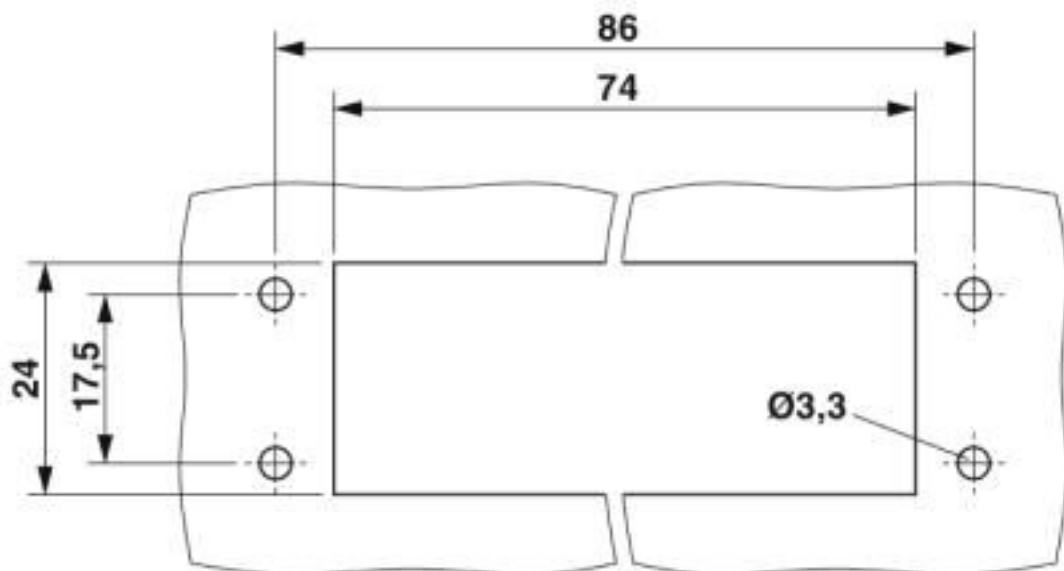
Connector set - HC-EVO-A16PT-BWSC-HH-M25-PLRBK - 1424460

Dimensional drawing



Dimensional drawing

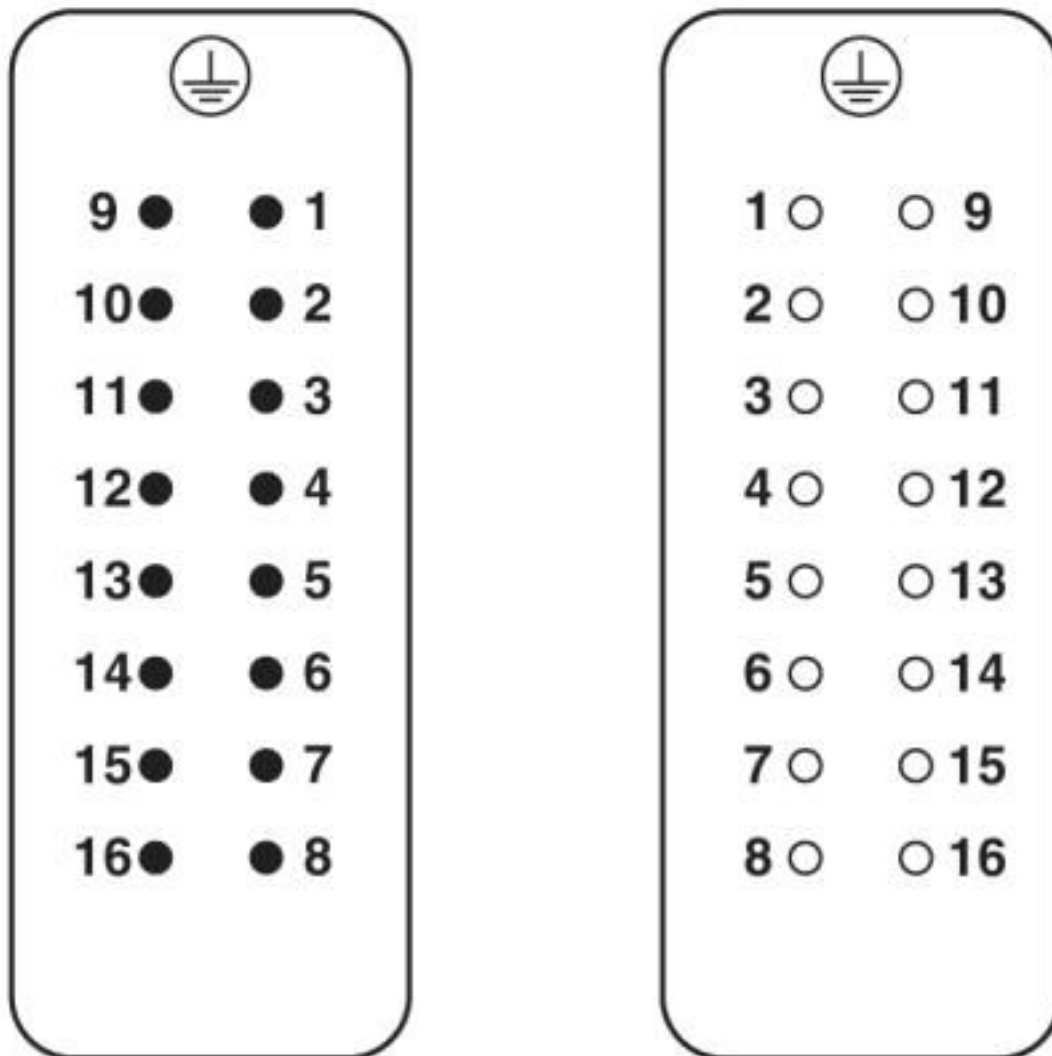
Dimensional drawing



Mounting cutout

Connector set - HC-EVO-A16PT-BWSC-HH-M25-PLRBK - 1424460

Schematic diagram



Pin assignment, connection side, pin left, socket right

Articles in set

Housing - HC-EVO-D25-HHFS-PL-BK - 1411347



Sleeve housing D25, for single locking latch, material: PA, cable outlets: 1, straight/lateral, height: 75.5 mm, cable gland: none, support sleeve: no, protective cover: no, Standard

Connector set - HC-EVO-A16PT-BWSC-HH-M25-PLRBK - 1424460

Articles in set

Housing - HC-EVO-D25-BWSC-PLR-BK - 1411345



Panel mounting base D25, with single locking latch, material: PA, protective cover material: PA, height: 26 mm, cable gland: none, support sleeve: no, protective cover: yes, Standard, with flat gasket

Cable gland - HC-D-G-M25-PLRBK - 1411351



EVO plastic cable gland with bayonet locking, for housing series D, size M25, cable diameter: 9 ... 17 mm.

Contact insert - HC-A16-I-PT-M - 1585375



Contact insert, number of positions: 16+PE, size: D25, number of connections per position: 1, Pin, Push-in connection, 250 V, 16 A, 0.14 mm² ... 2.5 mm²

Contact insert - HC-A16-I-PT-F - 1585388



Contact insert, number of positions: 16+PE, size: D25, number of connections per position: 1, Socket, Push-in connection, 250 V, 16 A, 0.14 mm² ... 2.5 mm²

Classifications

eCl@ss

| | |
|---------------|----------|
| eCl@ss 10.0.1 | 27440101 |
| eCl@ss 9.0 | 27440101 |

ETIM

| | |
|----------|----------|
| ETIM 6.0 | EC002636 |
| ETIM 7.0 | EC002636 |

Approvals

Approvals

Connector set - HC-EVO-A16PT-BWSC-HH-M25-PLRBK - 1424460

Approvals

Approvals

DNV GL / EAC

Ex Approvals

Approval details

| | | | |
|--------|---|---|------------|
| DNV GL |  | https://approvalfinder.dnvgl.com/ | TAE000037S |
|--------|---|---|------------|

| | | | |
|-----|---|--|--------------------------|
| EAC |  | | RU C- DE.BL08.B.00511 |
|-----|---|--|--------------------------|

Phoenix Contact 2020 © - all rights reserved
<http://www.phoenixcontact.com>

PHOENIX CONTACT GmbH & Co. KG
Flachsmarktstr. 8
32825 Blomberg
Germany
Tel. +49 5235 300
Fax +49 5235 3 41200
<http://www.phoenixcontact.com>

X-ON Electronics

Largest Supplier of Electrical and Electronic Components

Click to view similar products for [Heavy Duty Power Connectors](#) category:

Click to view products by [Phoenix Contact](#) manufacturer:

Other Similar products are found below :

[647757-1](#) [6643411-1](#) [6646058-2](#) [6646137-1](#) [6646138-1](#) [6646479-1](#) [6646608-1](#) [6646786-1](#) [6646940-1](#) [6651091-1](#) [6651525-1](#) [6651529-1](#)
[6651788-1](#) [696475-1](#) [702-32-01109](#) [703-25-02205](#) [73000005059](#) [73000005642](#) [73080255059](#) [73080965046](#) [765-15-0080A](#) [765-16-0080B](#)
[765-18-0080D](#) [829992-1](#) [902-77-02113](#) [PS00/A0620/6300](#) [PS25/A0420/63](#) [129-1J](#) [1409400](#) [AN0024023](#) [E6374G1](#) [e6389g2](#) [157-43GW8](#)
[MS3117-14AC](#) [1643543-1](#) [1650540-1](#) [1651811-2](#) [1766260-1](#) [1766282-1](#) [1766966-1](#) [1791340000](#) [NLDFT-3-BL-L-S120-M40A](#) [NLDFT-N-](#)
[W-L-C240-M40B](#) [NLS-2-R-C240-M40B](#) [NLS-N-W-C240-M40B](#) [NPS-3-BL-T6](#) [1986615-1](#) [2-1589900-8](#) [2199314-1](#) [KA8102](#)