


Screw plug - A-INSP-PG29-65N-P-LG - 1424525

Please be informed that the data shown in this PDF Document is generated from our Online Catalog. Please find the complete data in the user's documentation. Our General Terms of Use for Downloads are valid (<http://phoenixcontact.com/download>)

Screw plug, material: PA, connecting thread: Pg29, color: lightgrey RAL 7035



Key Commercial Data

Packing unit	10 pc
Minimum order quantity	10 pc
GTIN	 4 055626 374307
GTIN	4055626374307

Technical data

Dimensions

Length	12 mm
Length without connecting thread	4 mm
Connecting thread diameter	37 mm
Hexagon angular dimension	44 mm (Diameter)
Length of the connecting thread	8 mm

Ambient conditions

Degree of protection (IP)	IP65
Ambient temperature (operation)	-40 °C ... 100 °C

General

Material	PA
Sealing material	EPDM (O-ring)
Thread type on connection side	Pg29
Color	lightgrey RAL 7035

Environmental Product Compliance

China RoHS	Environmentally friendly use period: unlimited = EFUP-e
------------	---

Screw plug - A-INSP-PG29-65N-P-LG - 1424525

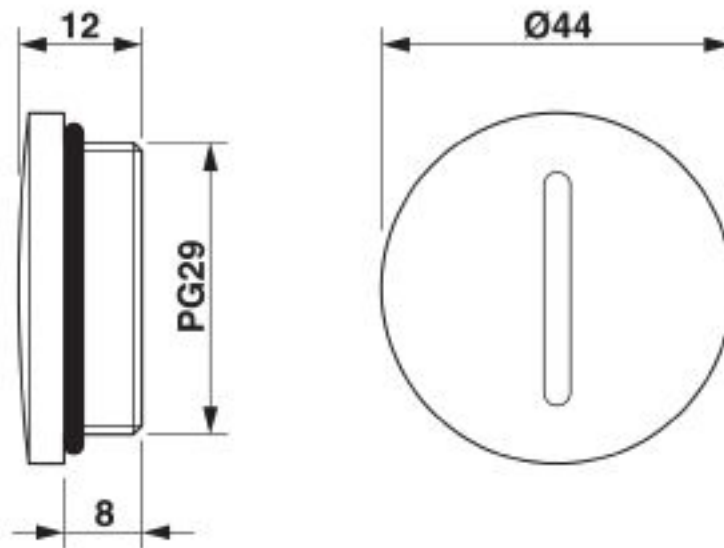
Technical data

Environmental Product Compliance

	No hazardous substances above threshold values
--	--

Drawings

Dimensional drawing



Dimensional drawing

Classifications

eCl@ss

eCl@ss 10.0.1	23111190
eCl@ss 4.0	23111100
eCl@ss 4.1	23111100
eCl@ss 5.0	23111100
eCl@ss 5.1	23111100
eCl@ss 6.0	23111100
eCl@ss 7.0	23111190
eCl@ss 8.0	23111190
eCl@ss 9.0	23111190

ETIM

ETIM 5.0	EC000032
ETIM 6.0	EC000032
ETIM 7.0	EC000032

Screw plug - A-INSP-PG29-65N-P-LG - 1424525

Approvals

Approvals

Approvals

EAC

Ex Approvals

Approval details

EAC		EAC-Zulassung
-----	---	---------------

Accessories

Accessories

Flat nut

Counter nut - A-INL-PG29-P-LG - 1424554



Counter nut, material: PA 6 GF 30, connecting thread: Pg29, color: lightgrey RAL 7035

Phoenix Contact 2020 © - all rights reserved
<http://www.phoenixcontact.com>

PHOENIX CONTACT GmbH & Co. KG
Flachsmarktstr. 8
32825 Blomberg
Germany
Tel. +49 5235 300
Fax +49 5235 3 41200
<http://www.phoenixcontact.com>

X-ON Electronics

Largest Supplier of Electrical and Electronic Components

Click to view similar products for [Heavy Duty Power Connectors](#) category:

Click to view products by [Phoenix Contact](#) manufacturer:

Other Similar products are found below :

[647757-1](#) [6643411-1](#) [6646058-2](#) [6646137-1](#) [6646138-1](#) [6646479-1](#) [6646608-1](#) [6646786-1](#) [6646940-1](#) [6651091-1](#) [6651525-1](#) [6651529-1](#)
[6651788-1](#) [696475-1](#) [702-32-01109](#) [703-25-02205](#) [73000005059](#) [73000005642](#) [73080965046](#) [765-15-0080A](#) [765-16-0080B](#) [765-18-0080D](#)
[829992-1](#) [902-77-02113](#) [PS00/A0620/6300](#) [129-1J](#) [1409400](#) [AN0024023](#) [E6374G1](#) [e6389g2](#) [157-43GW8](#) [MS3117-14AC](#) [1643543-1](#)
[1650540-1](#) [1651811-2](#) [1766260-1](#) [1766282-1](#) [1766966-1](#) [1791340000](#) [NLDFT-3-BL-L-S120-M40A](#) [NLDFT-N-W-L-C240-M40B](#) [NLS-2-R-](#)
[C240-M40B](#) [NLS-N-W-C240-M40B](#) [NPS-3-BL-T6](#) [1986615-1](#) [2-1589900-8](#) [2199314-1](#) [KA8102](#) [9300480317](#) [SBS50BRN#6](#)