

Cable gland - G-INS-M50-M68N-NNES-S - 1424530

Please be informed that the data shown in this PDF Document is generated from our Online Catalog. Please find the complete data in the user's documentation. Our General Terms of Use for Downloads are valid (<http://phoenixcontact.com/download>)



Cable gland, cable gland material: Nickel-plated brass, external cable diameter 22 mm ... 32 mm, shielding: no, connecting thread: M50 x 1.5, color: silver, with O-ring



Key Commercial Data

Packing unit	1 pc
GTIN	
GTIN	4055626374352

Technical data

Dimensions

Length	58 mm
Wrench size, union nut	50 mm
Wrench size, support	55 mm
Hexagon angular dimension	64 mm
Length of the connecting thread	9 mm
Feed-through hole diameter	50.1 mm ... 50.3 mm
External cable diameter	22 mm ... 32 mm
	22 mm ... 32 mm (for UL 514 B)

Ambient conditions

Degree of protection (IP)	IP69
	IP68 (5 bar, 30 min.)
	IP66
Ambient temperature (operation)	-40 °C ... 100 °C (static)

General

No. of conductors	1
Cable gland material	Nickel-plated brass
Material, insert	Polyamide 6

Cable gland - G-INS-M50-M68N-NNES-S - 1424530

Technical data

General

Cable seal material	CR
Sealing material	Perbunan (O-ring)
Shielded	no
Thread type on connection side	M50 x 1.5
Torque	42 Nm ± (1.5 Nm)
Color	silver
Impact category	7
Execution of the strain relief	A
Assembly instructions	1) Mount screw connection support in the housing using the correct torque 2) Insert cable 3) Tighten union nut using the correct torque
Manufacturer	BIMED
Manufacturer Designation	BMBC-06

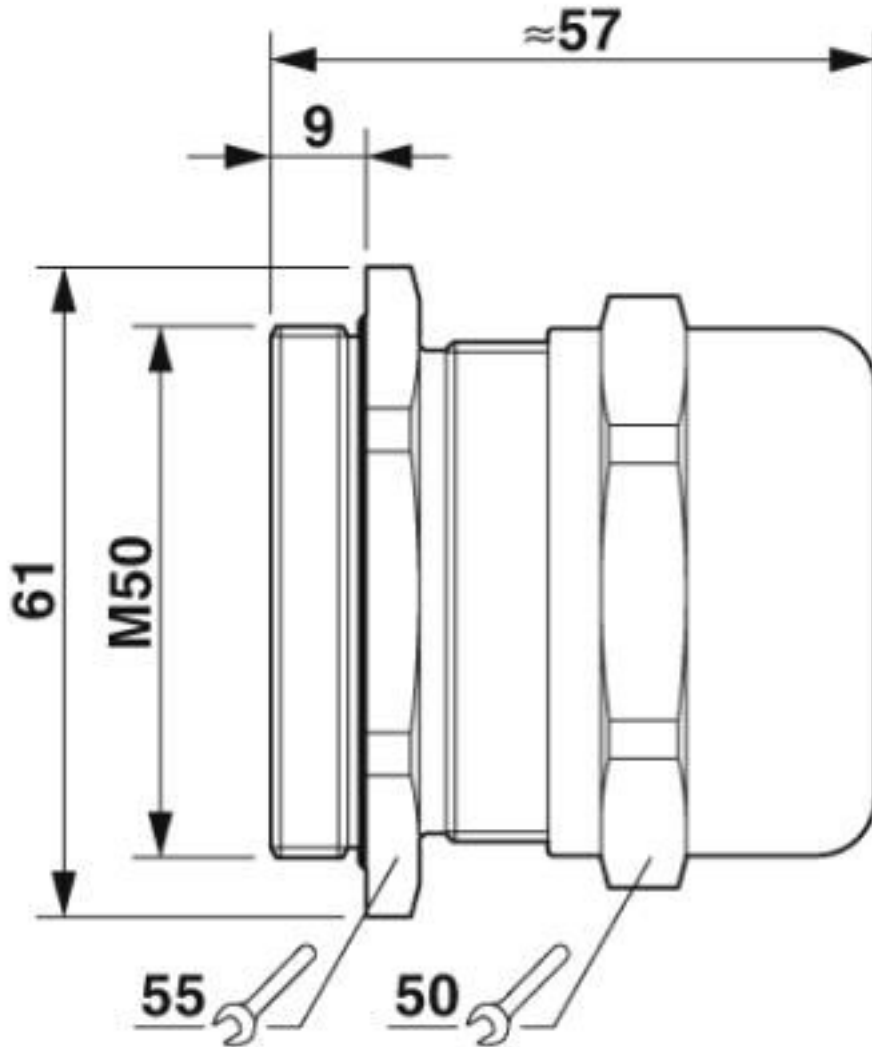
Environmental Product Compliance

REACH SVHC	Lead 7439-92-1
China RoHS	Environmentally Friendly Use Period = 50 years
	For details about hazardous substances go to tab "Downloads", Category "Manufacturer's declaration"

Drawings

Cable gland - G-INS-M50-M68N-NNES-S - 1424530

Dimensional drawing



Dimensional drawing

Classifications

eCl@ss

eCl@ss 10.0.1	27144432
eCl@ss 4.0	27141200
eCl@ss 4.1	27141200
eCl@ss 5.0	27149100
eCl@ss 5.1	27149109
eCl@ss 6.0	27149100
eCl@ss 7.0	27149109
eCl@ss 8.0	27149109

Cable gland - G-INS-M50-M68N-NNES-S - 1424530

Classifications

eCl@ss

eCl@ss 9.0	27144432
------------	----------

ETIM

ETIM 5.0	EC000441
ETIM 6.0	EC000441
ETIM 7.0	EC000441

Approvals

Approvals

Approvals

UL Listed / cUL Listed / cULus Listed

Ex Approvals

Approval details

UL Listed		http://database.ul.com/cgi-bin/XYV/template/LISEXT/1FRAME/index.htm	E199260
-----------	--	-------------------------------------------------------------------------------------------------------------------------------------------------------	---------

cUL Listed		http://database.ul.com/cgi-bin/XYV/template/LISEXT/1FRAME/index.htm	E199260
------------	--	-------------------------------------------------------------------------------------------------------------------------------------------------------	---------

cULus Listed			
--------------	--	--	--

Accessories

Accessories

Flat nut

Counter nut - A-INL-M50-N-S - 1411247



Counter nut, material: Brass, nickel-plated, for threads M50 x 1.5, color: silver

Cable gland - G-INS-M50-M68N-NNES-S - 1424530

Accessories

Sealing plugs

Closing cap - SEALING PLUG 28X30 RD - 1421864



Closing cap, material: PA, color: red

Phoenix Contact 2020 © - all rights reserved
<http://www.phoenixcontact.com>

PHOENIX CONTACT GmbH & Co. KG
Flachsmarktstr. 8
32825 Blomberg
Germany
Tel. +49 5235 300
Fax +49 5235 3 41200
<http://www.phoenixcontact.com>

X-ON Electronics

Largest Supplier of Electrical and Electronic Components

Click to view similar products for [Cable Glands, Strain Reliefs & Cord Grips](#) category:

Click to view products by [Phoenix Contact](#) manufacturer:

Other Similar products are found below :

[1218](#) [1300980012](#) [1300980105](#) [DBZM-6828](#) [1498](#) [915](#) [300623](#) [5632NM](#) [1124](#) [1151](#) [561-MP6P4WH](#) [5534M](#) [9000005073](#) [52104486](#)
[5315817](#) [N16 025 0112 1](#) [N16 020 0112 1](#) [M6106](#) [7422](#) [NG-9516 Gasket](#) [N16 016 0112 1](#) [NG-9514 Gasket](#) [52006151](#) [2704](#) [BM4940L](#)
[BM4950L](#) [1.097.2012.50](#) [1.152.1300.01](#) [1.152.2000.50](#) [1.152.2100.01](#) [1.152.2500.50](#) [1.152.4000.50](#) [1.209.1218.70](#) [1.209.6400.71](#)
[1.609.1100.01](#) [1.609.2900.15](#) [1.609.3200.52](#) [1.609.3600.15](#) [1.609.5000.51](#) [1.676.2500.50](#) [52103150](#) [53112705](#) [53112715](#) [53112735](#)
[53119073](#) [54115405](#) [52004120](#) [52001894](#) [53018160](#) [APGPG36BA](#)