

Cable gland - G-INVEN-M20-M67N-PNES-BK - 1424537

Please be informed that the data shown in this PDF Document is generated from our Online Catalog. Please find the complete data in the user's documentation. Our General Terms of Use for Downloads are valid (<http://phoenixcontact.com/download>)



Cable gland, cable gland material: PA, external cable diameter 6 mm ... 11 mm, shielding: no, connecting thread: M20 x 1.5, color: jet black RAL 9005, with pressure compensation element and flat gasket


Product Description

Cable gland with integrated pressure compensation element. Prevents low pressure forming in the housing. Membrane: resistant to water and dirt

Your advantages

- ✓ reduces the formation of condensation
- ✓ Screw connection with integrated pressure compensation element
- ✓ Plastic material conforms to UL 746C f1

Key Commercial Data

Packing unit	5 pc
Minimum order quantity	5 pc
GTIN	 4 055626 374420
GTIN	4055626374420

Technical data

Dimensions

Length	40 mm
Wrench size, union nut	24 mm
Wrench size, support	24 mm
Length of the connecting thread	10 mm
Feed-through hole diameter	20.1 mm ... 20.2 mm
External cable diameter	6 mm ... 11 mm
	6 mm ... 12 mm (for UL 514 B)

Ambient conditions

Degree of protection (IP)	IP67
	IP66

Cable gland - G-INVEN-M20-M67N-PNES-BK - 1424537

Technical data

Ambient conditions

Ambient temperature (operation)	-20 °C ... 100 °C (static)
---------------------------------	----------------------------

General

Type	with pressure compensation element and flat gasket
No. of conductors	1
Cable gland material	PA
Cable seal material	CR
Sealing material	NBR (Flat gasket)
Flammability rating according to UL 94	V2
Shielded	no
Thread type on connection side	M20 x 1.5
Torque	5 Nm ± ()
Color	jet black RAL 9005
Impact category	5
Execution of the strain relief	A
Air flow rate	40 (l/h at a pressure differential of 70 mbar)
Manufacturer	BIMED
Manufacturer Designation	BMVG-22

Standards and Regulations

Halogen-free	no
Flammability rating according to UL 94	V2

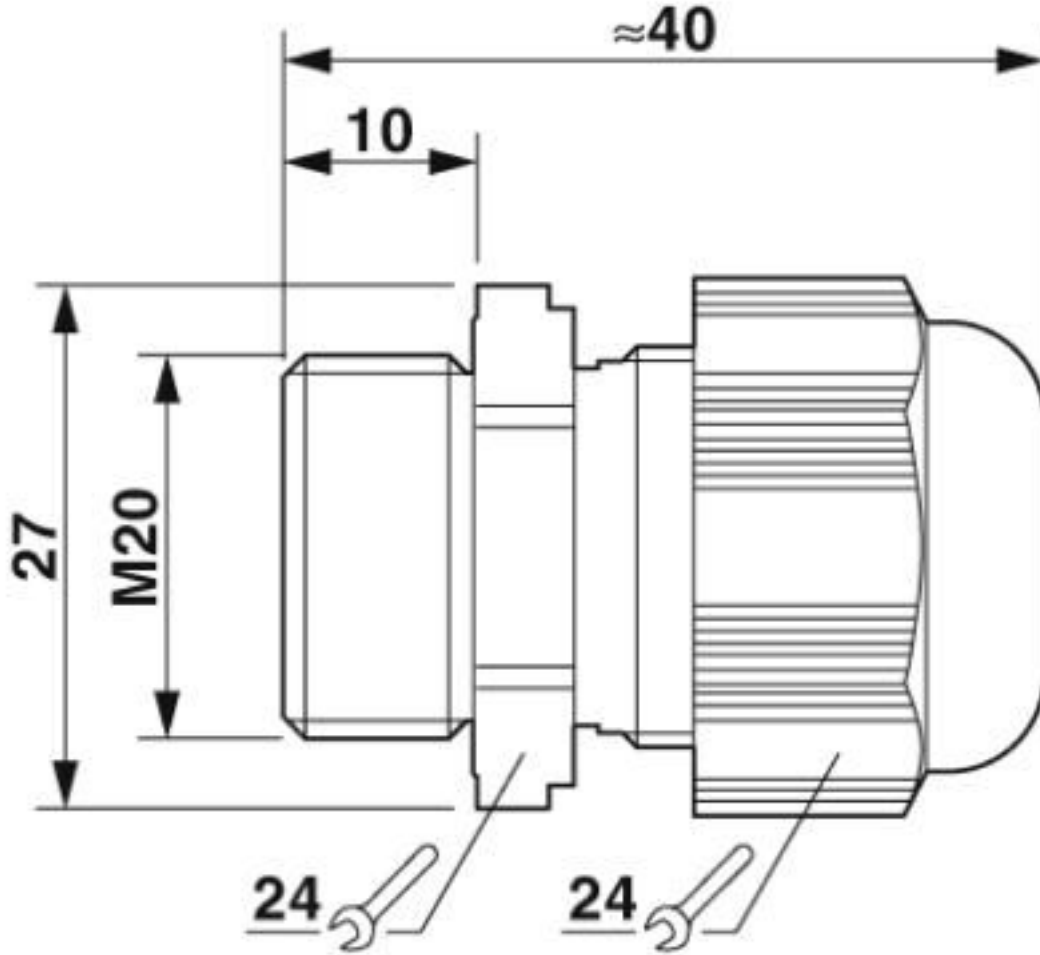
Environmental Product Compliance

China RoHS	Environmentally friendly use period: unlimited = EFUP-e
	No hazardous substances above threshold values

Drawings

Cable gland - G-INVEN-M20-M67N-PNES-BK - 1424537

Dimensional drawing



Dimensional drawing

Classifications

eCl@ss

eCl@ss 10.0.1	27144432
eCl@ss 4.0	27141200
eCl@ss 4.1	27141200
eCl@ss 5.0	27149100
eCl@ss 5.1	27149109
eCl@ss 6.0	27149100
eCl@ss 7.0	27149109
eCl@ss 8.0	27149109
eCl@ss 9.0	27144432

Cable gland - G-INVEN-M20-M67N-PNES-BK - 1424537

Classifications

ETIM

ETIM 5.0	EC000441
ETIM 6.0	EC000441
ETIM 7.0	EC000441

Approvals

Approvals

Approvals

UL Recognized / cUL Recognized / cULus Recognized

Ex Approvals

Approval details

UL Recognized		http://database.ul.com/cgi-bin/XYV/template/LISEXT/1FRAME/index.htm	E199260
---------------	--	---	---------

cUL Recognized		http://database.ul.com/cgi-bin/XYV/template/LISEXT/1FRAME/index.htm	E199260
----------------	--	---	---------

cULus Recognized			
------------------	--	--	--

Accessories

Accessories

Flat nut

Counter nut - A-INL-M20-P-BK - 1411215



Counter nut, material: PA, for threads M20 x 1.5, color: jet black RAL 9005

Sealing plugs

Cable gland - G-INVEN-M20-M67N-PNES-BK - 1424537

Accessories

Closing cap - SEALING PLUG 9X16 RD - 1400259



Closing cap, material: PA, color: red

Phoenix Contact 2020 © - all rights reserved
<http://www.phoenixcontact.com>

PHOENIX CONTACT GmbH & Co. KG
Flachsmarktstr. 8
32825 Blomberg
Germany
Tel. +49 5235 300
Fax +49 5235 3 41200
<http://www.phoenixcontact.com>

X-ON Electronics

Largest Supplier of Electrical and Electronic Components

Click to view similar products for [Cable Glands, Strain Reliefs & Cord Grips](#) category:

Click to view products by [Phoenix Contact](#) manufacturer:

Other Similar products are found below :

[1218](#) [1300980012](#) [1300980105](#) [DBZM-6828](#) [1498](#) [915](#) [300623](#) [5632NM](#) [1124](#) [1151](#) [561-MP6P4WH](#) [5534M](#) [9000005073](#) [52104486](#)
[5315817](#) [N16 025 0112 1](#) [N16 020 0112 1](#) [M6106](#) [7422](#) [NG-9516 Gasket](#) [N16 016 0112 1](#) [NG-9514 Gasket](#) [52006151](#) [2704](#) [BM4940L](#)
[BM4950L](#) [1.097.2012.50](#) [1.152.1300.01](#) [1.152.2000.50](#) [1.152.2100.01](#) [1.152.2500.50](#) [1.152.4000.50](#) [1.209.1218.70](#) [1.209.6400.71](#)
[1.609.1100.01](#) [1.609.2900.15](#) [1.609.3200.52](#) [1.609.3600.15](#) [1.609.5000.51](#) [1.676.2500.50](#) [52103150](#) [53112705](#) [53112715](#) [53112735](#)
[53119073](#) [54115405](#) [52004120](#) [52001894](#) [53018160](#) [APGPG36BA](#)