


Counter nut - A-INL-PG11-P-LG - 1424550

Please be informed that the data shown in this PDF Document is generated from our Online Catalog. Please find the complete data in the user's documentation. Our General Terms of Use for Downloads are valid (<http://phoenixcontact.com/download>)

Counter nut, material: PA 6 GF 30, connecting thread: Pg11, color: lightgrey RAL 7035



Key Commercial Data

| | |
|--------------|---|
| Packing unit | 5 pc |
| GTIN |  4 0 5 5 6 2 6 3 7 4 5 4 3 |
| GTIN | 4055626374543 |

Technical data

Dimensions

| | |
|----------------------------|---------|
| Length | 5 mm |
| Connecting thread diameter | 18.6 mm |
| Wrench size, counter nut | 24 mm |
| Hexagon angular dimension | 26 mm |

Ambient conditions

| | |
|---------------------------------|-------------------|
| Ambient temperature (operation) | -40 °C ... 100 °C |
|---------------------------------|-------------------|

General

| | |
|--|--------------------|
| Material | PA 6 GF 30 |
| Flammability rating according to UL 94 | V2 |
| Thread type on connection side | Pg11 |
| Color | lightgrey RAL 7035 |

Standards and Regulations

| | |
|--|-----|
| Halogen-free | yes |
| Flammability rating according to UL 94 | V2 |

Environmental Product Compliance

| | |
|------------|---|
| China RoHS | Environmentally friendly use period: unlimited = EFUP-e |
|------------|---|

Counter nut - A-INL-PG11-P-LG - 1424550

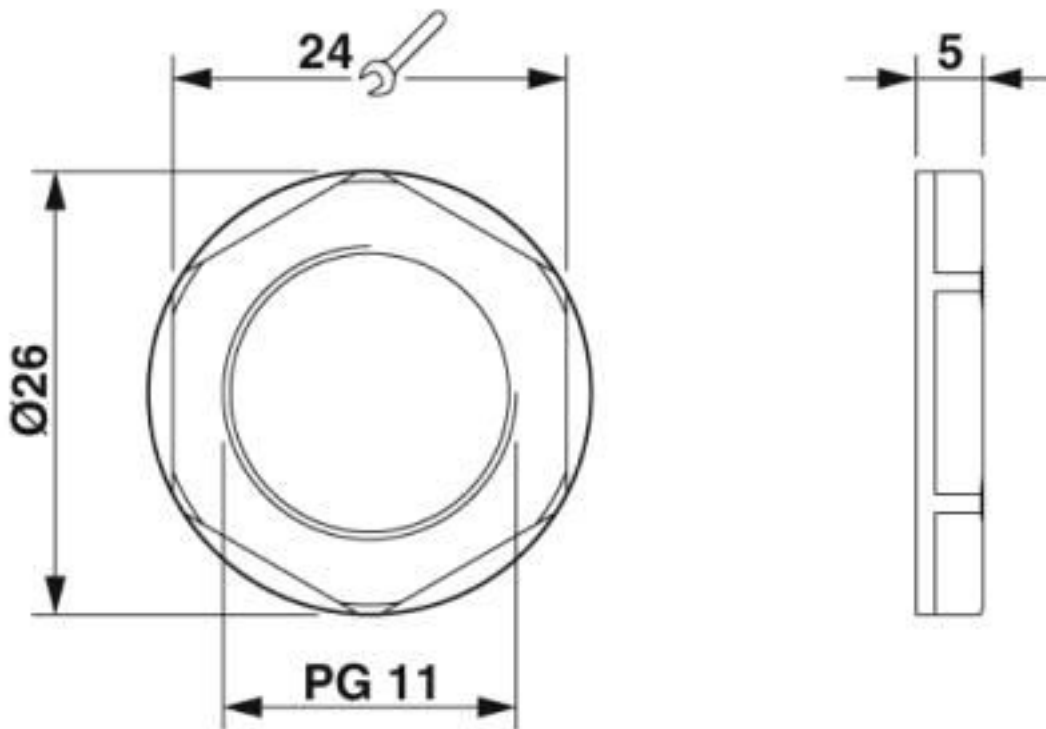
Technical data

Environmental Product Compliance

| | |
|--|--|
| | No hazardous substances above threshold values |
|--|--|

Drawings

Dimensional drawing



Classifications

eCl@ss

| | |
|---------------|----------|
| eCl@ss 10.0.1 | 27144424 |
| eCl@ss 5.1 | 27149109 |
| eCl@ss 6.0 | 27149109 |
| eCl@ss 7.0 | 27069219 |
| eCl@ss 8.0 | 27069219 |
| eCl@ss 9.0 | 27144424 |

ETIM

| | |
|----------|----------|
| ETIM 5.0 | EC000129 |
| ETIM 6.0 | EC000940 |
| ETIM 7.0 | EC000940 |

Phoenix Contact 2020 © - all rights reserved
<http://www.phoenixcontact.com>

PHOENIX CONTACT GmbH & Co. KG
Flachmarktstr. 8
32825 Blomberg
Germany
Tel. +49 5235 300
Fax +49 5235 3 41200
<http://www.phoenixcontact.com>

X-ON Electronics

Largest Supplier of Electrical and Electronic Components

Click to view similar products for [Heavy Duty Power Connectors](#) category:

Click to view products by [Phoenix Contact](#) manufacturer:

Other Similar products are found below :

[647757-1](#) [6643411-1](#) [6646058-2](#) [6646137-1](#) [6646138-1](#) [6646479-1](#) [6646608-1](#) [6646786-1](#) [6646940-1](#) [6651091-1](#) [6651525-1](#) [6651529-1](#)
[6651788-1](#) [696475-1](#) [702-32-01109](#) [703-25-02205](#) [73000005059](#) [73000005642](#) [765-15-0080A](#) [765-16-0080B](#) [765-18-0080D](#) [829992-1](#)
[902-77-02113](#) [PS00/A0620/6300](#) [129-1J](#) [1409400](#) [AN0024023](#) [E6374G1](#) [e6389g2](#) [157-43GW8](#) [MS3117-14AC](#) [1643543-1](#) [1650540-1](#)
[1651811-2](#) [1766260-1](#) [1766282-1](#) [1766966-1](#) [1791340000](#) [NLDFT-3-BL-L-S120-M40A](#) [NLDFT-N-W-L-C240-M40B](#) [NLS-2-R-C240-](#)
[M40B](#) [NLS-N-W-C240-M40B](#) [NPS-3-BL-T6](#) [1986615-1](#) [2-1589900-8](#) [2199314-1](#) [KA8102](#) [9300480317](#) [SBS50BRN#6](#) [29131](#)