

## Cable feed-through plates - MH-10CL-MULTI-55-PV-BK - 1424584

Please be informed that the data shown in this PDF Document is generated from our Online Catalog. Please find the complete data in the user's documentation. Our General Terms of Use for Downloads are valid (<http://phoenixcontact.com/download>)




Cable feed-through plates, no. of conductors: 10, length: 154 mm, width: 56 mm, height: 20 mm, external cable diameter: 6x 2 mm ... 8 mm , color: black

### Your advantages

- The panel cutouts of size B24 heavy-duty connectors can be used.



### Key Commercial Data

Packing unit	1 pc
GTIN	 4 055626 374871
GTIN	4055626374871

### Technical data

#### Dimensions

Length	154 mm
Width	56 mm
Height	20 mm
Drill hole distance, horizontal	130 mm
Drill hole distance, vertical	32 mm
External cable diameter	6x 2 mm ... 8 mm
	2x 2 mm ... 18 mm
	2x 2 mm ... 30 mm

#### Ambient conditions

Degree of protection	IP54
Ambient temperature (operation)	-40 °C ... 90 °C

#### General

No. of conductors	10
Material	TPE-SEBS

## Cable feed-through plates - MH-10CL-MULTI-55-PV-BK - 1424584

### Technical data

#### General

	PP (Core)
	TPE-SEBS (external material)
Flammability rating according to UL 94	V0
Color	black
Note	incl. mounting screws
Installation instructions	M4 mounting screw, torque: 1.8 Nm, SW5 Allen key
	The mounting screws provided are to be used for assembly.  Assembly sequence: 1) Attach the cable feed-through (Multigate) using the mounting screws provided (observe torque) 2) Pierce a hole in the membrane (using a screwdriver) 3) Guide the cable through the opening (from the outside)

#### Standards and Regulations

Flammability rating according to UL 94	V0
--	----

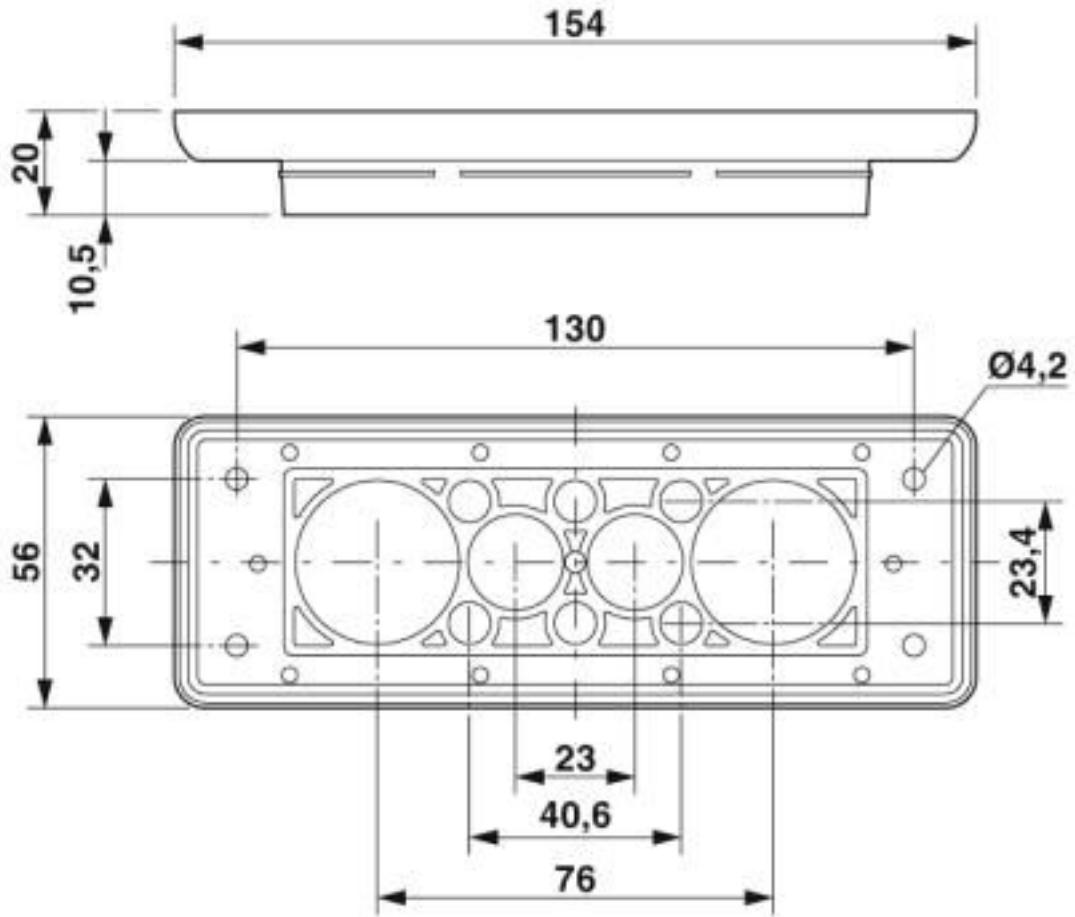
#### Environmental Product Compliance

China RoHS	Environmentally friendly use period: unlimited = EFUP-e
	No hazardous substances above threshold values

#### Drawings

# Cable feed-through plates - MH-10CL-MULTI-55-PV-BK - 1424584

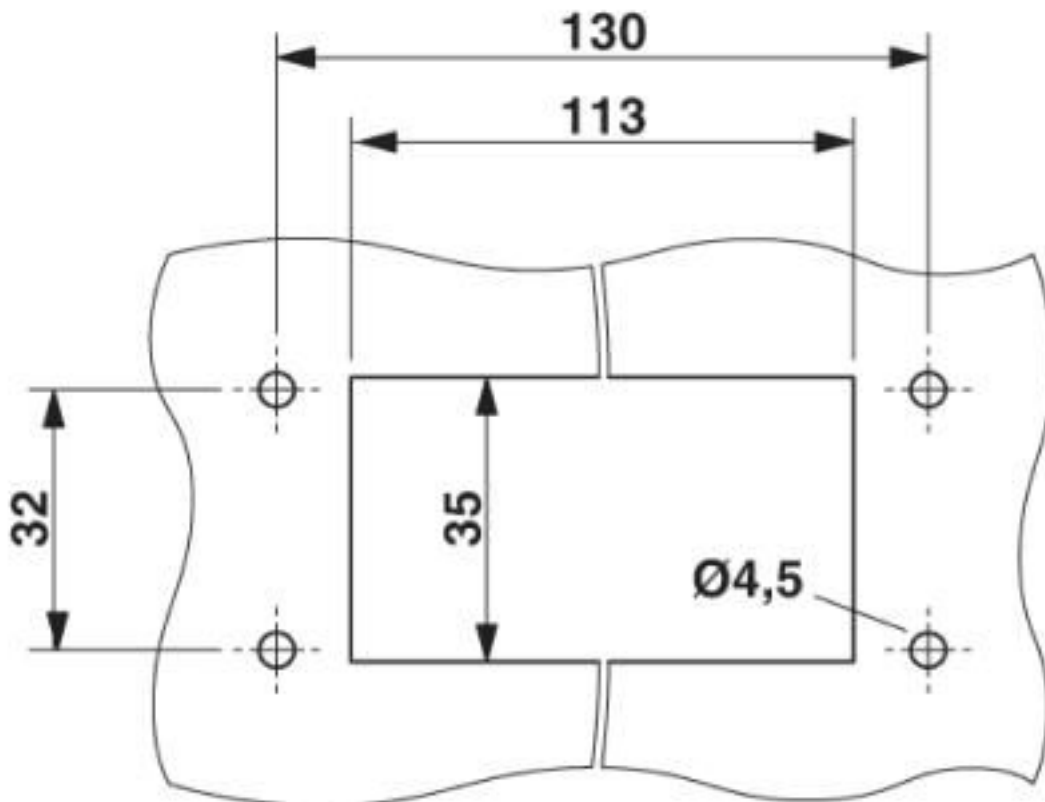
Dimensional drawing



Dimensional drawing

# Cable feed-through plates - MH-10CL-MULTI-55-PV-BK - 1424584

Dimensional drawing



Wall cutout drawing

## Classifications

eCl@ss

eCl@ss 10.0.1	27400569
eCl@ss 5.1	23110102
eCl@ss 6.0	27409200
eCl@ss 7.0	27409208
eCl@ss 8.0	27409208
eCl@ss 9.0	27400569

ETIM

ETIM 5.0	EC001004
ETIM 6.0	EC001004
ETIM 7.0	EC001004

## Approvals

Approvals

## Cable feed-through plates - MH-10CL-MULTI-55-PV-BK - 1424584

### Approvals

Approvals


EAC-RoHS / EAC


---

Ex Approvals

---

### Approval details

EAC-RoHS		RU D- DE.HB35.B.00387
----------	---	--------------------------

EAC		EAC-Zulassung
-----	---	---------------

---

Phoenix Contact 2020 © - all rights reserved  
<http://www.phoenixcontact.com>

PHOENIX CONTACT GmbH & Co. KG  
Flachmarktstr. 8  
32825 Blomberg  
Germany  
Tel. +49 5235 300  
Fax +49 5235 3 41200  
<http://www.phoenixcontact.com>

## X-ON Electronics

Largest Supplier of Electrical and Electronic Components

*Click to view similar products for [Cable Mounting & Accessories](#) category:*

*Click to view products by [Phoenix Contact](#) manufacturer:*

Other Similar products are found below :

[582603-1](#) [009333-000](#) [727844N003](#) [747](#) [809090N001](#) [843188-000](#) [8666](#) [967279N002](#) [DB-11](#) [1300840039](#) [1300900096](#) [1301800416](#)  
[1302264450](#) [1300830184](#) [1300830729](#) [1300900039](#) [1301580036](#) [1301850553](#) [1301860939](#) [1302000074](#) [1302261315](#) [1302264431](#)  
[1337706-2](#) [APA18-AK](#) [1724](#) [1-787307-1](#) [185491N001](#) [1868](#) [HP-6N](#) [C-202-C](#) [202C221-13-0](#) [CA7308-000](#) [8S23-75FR-CS8184](#) [2684](#) [9648](#)  
[3089](#) [988382-000](#) [A72821-000](#) [AA401](#) [173506-000](#) [1823](#) [202C292-13-0](#) [202C302-13-0](#) [2109](#) [300625](#) [3330](#) [3412](#) [356247-1](#) [M9142](#)  
[M9143](#)