

Housing - HC-HPR-D07-BFH-EMR-BK - 1424637

Please be informed that the data shown in this PDF Document is generated from our Online Catalog. Please find the complete data in the user's documentation. Our General Terms of Use for Downloads are valid (<http://phoenixcontact.com/download>)



Panel mounting base D7, For screw locking, material: Zinc die-cast, height: 24.3 mm, cable gland: none, protective cover: no, Railway applications, for increased environmental and EMC requirements, Series HPR

Your advantages

- Vibration and shock: IEC 61373/EN 50155, category 1, class 1B



Key Commercial Data

| | |
|--------------|---------------|
| Packing unit | 1 pc |
| GTIN | |
| GTIN | 4055626375663 |

Technical data

Dimensions

| | |
|-------------------------------|---------|
| Height | 24.3 mm |
| Width | 32.2 mm |
| Length | 45.4 mm |
| Length of the assembly cutout | 22 mm |
| Width of the assembly cutout | 22 mm |

Ambient conditions

| | |
|---------------------------------|---|
| Degree of protection (IP) | IP66 (with sealing screw) |
| | IP68 (0.4 bar / 30 min. with sealing screw) |
| | IP69 (ISO 20653:2013-02) |
| Ambient temperature (operation) | -40 °C ... 125 °C |

General

| | |
|--------------|--|
| Note | for contact inserts HC-D7, D8, A3, A4, HS2-D7, Q5, Q7, Q12 |
| Size | D7 |
| Housing type | Panel mounting base |

Housing - HC-HPR-D07-BFH-EMR-BK - 1424637

Technical data

General

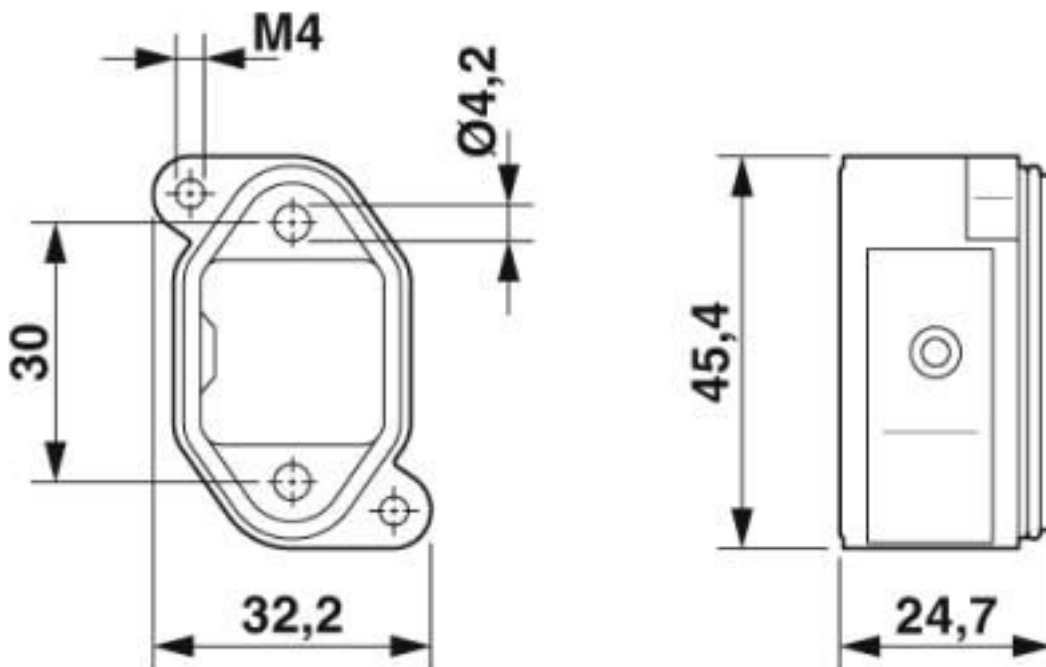
| | |
|--------------------------|---|
| Color | black |
| Locking type | For screw locking |
| Screw connection | none |
| Protective cover | no |
| Material | Zinc die-cast |
| Housing material | Zinc die-cast |
| Housing surface material | Powder-coated, black |
| Seal material | NBR |
| Assembly instructions | M4 locking screw, slotted hexagon head screw (wrench size 7), tightening torque: 1 Nm. The seal of the pin contact insert should be removed. Max. thread length of the screw connection: 6 mm |
| Connection | Mount contact insert with sealing screw in the housing |

Environmental Product Compliance

| | |
|------------|---|
| China RoHS | Environmentally friendly use period: unlimited = EFUP-e |
| | No hazardous substances above threshold values |

Drawings

Dimensional drawing



Dimensional drawing

Housing - HC-HPR-D07-BFH-EMR-BK - 1424637

Classifications

eCl@ss

| | |
|---------------|----------|
| eCl@ss 10.0.1 | 27440202 |
| eCl@ss 5.1 | 27261200 |
| eCl@ss 6.0 | 27261200 |
| eCl@ss 7.0 | 27440202 |
| eCl@ss 8.0 | 27440202 |
| eCl@ss 9.0 | 27440202 |

ETIM

| | |
|----------|----------|
| ETIM 5.0 | EC000437 |
| ETIM 6.0 | EC000437 |
| ETIM 7.0 | EC000437 |

Approvals

Approvals

Approvals

EAC

Ex Approvals

Approval details

| | | |
|-----|--|---------------|
| EAC | | EAC-Zulassung |
|-----|--|---------------|

Accessories

Accessories

Housing with screw locking

Protective covers - HC-HPR-D07-BCSWH-EM-BK - 1424636



Protective cover D7, with screw locking, material: Zinc die-cast, protective cover material: Zinc, height: 28.5 mm, cable gland: none, Railway applications, for increased environmental and EMC requirements, Series HPR

Phoenix Contact 2020 © - all rights reserved
<http://www.phoenixcontact.com>

PHOENIX CONTACT GmbH & Co. KG
Flachmarktstr. 8
32825 Blomberg
Germany
Tel. +49 5235 300
Fax +49 5235 3 41200
<http://www.phoenixcontact.com>

X-ON Electronics

Largest Supplier of Electrical and Electronic Components

Click to view similar products for [Heavy Duty Power Connectors](#) category:

Click to view products by [Phoenix Contact](#) manufacturer:

Other Similar products are found below :

[647757-1](#) [6643411-1](#) [6646058-2](#) [6646137-1](#) [6646138-1](#) [6646479-1](#) [6646608-1](#) [6646786-1](#) [6646940-1](#) [6651091-1](#) [6651525-1](#) [6651529-1](#)
[6651788-1](#) [696475-1](#) [702-32-01109](#) [703-25-02205](#) [73000005059](#) [73000005642](#) [765-15-0080A](#) [765-16-0080B](#) [765-18-0080D](#) [829992-1](#)
[902-77-02113](#) [PS00/A0620/6300](#) [129-1J](#) [1409400](#) [AN0024023](#) [E6374G1](#) [e6389g2](#) [157-43GW8](#) [MS3117-14AC](#) [1643543-1](#) [1650540-1](#)
[1651811-2](#) [1766260-1](#) [1766282-1](#) [1766966-1](#) [1791340000](#) [NLDFT-3-BL-L-S120-M40A](#) [NLDFT-N-W-L-C240-M40B](#) [NLS-2-R-C240-](#)
[M40B](#) [NLS-N-W-C240-M40B](#) [NPS-3-BL-T6](#) [1986615-1](#) [2-1589900-8](#) [2199314-1](#) [KA8102](#) [9300480317](#) [SBS50BRN#6](#) [29131](#)