

## Connector - SACC-M12FRB-5PL SH - 1424665

Please be informed that the data shown in this PDF Document is generated from our Online Catalog. Please find the complete data in the user's documentation. Our General Terms of Use for Downloads are valid (<http://phoenixcontact.com/download>)

Connector, Universal, 5-position, shielded, Socket angled M12, Coding: B, Push-in connection, knurl material: Zinc die-cast, nickel-plated, external cable diameter 4 mm ... 8 mm




### Your advantages

- ✓ Easy and tool-free connection by means of Push-in Technology
- ✓ Conveniently connect stranded conductors, thanks to lever
- ✓ Reliable and quick connection of electric cables
- ✓ Flexible signal and data cabling
- ✓ Flexible cable outlets with angled connectors
- ✓ Quick and easy installation, thanks to Push-in connection technology



### Key Commercial Data

|              |   |
|--------------|---|
| Packing unit | 1 pc  |
| GTIN         | <br>4 055626 375922 |
| GTIN         | 4055626375922   |

### Technical data

#### Dimensions

|   |               |
|---|---------------|
| Diameter housing                        | 19 mm         |
| Length                                  | 48 mm         |
| External cable diameter                 | 4 mm ... 8 mm |
| Stripping length of the sheath          | 31 mm         |
| Stripping length of the individual wire | 7 mm          |

#### Ambient conditions

|                                 |                                  |
|---------------------------------|----------------------------------|
| Ambient temperature (operation) | -40 °C ... 85 °C (Plug / socket) |
| Degree of protection            | IP65                             |
|                                 | IP67                             |

#### General

# Connector - SACC-M12FRB-5PL SH - 1424665

## Technical data

### General

|                             |   |
|-----------------------------|---|
| Note                        | NOTE: Observe the permissible bending radii when laying conductors, since the degree of protection may be put in jeopardy if the bending forces are too high. Alleviate mechanical loads upstream of the connector, e.g. by using cable ties. |
| Rated current at 40°C       | 4 A (2 A when using 0.14 mm <sup>2</sup> conductors)  |
| Rated voltage               | 48 V AC   |
|                             | 60 V DC   |
| Number of positions         | 5   |
| Insulation resistance       | ≥ 100 MΩ  |
| Coding                      | B - inverse   |
| Standards/regulations       | M12 connector IEC 61076-2-101   |
|                             | Shock, vibration EN 50155:2001  |
| Signal type/category        | Universal   |
| Status display              | No  |
| Overvoltage category        | II  |
| Degree of pollution         | 3   |
| Connection method           | Push-in connection  |
| Conductor cross section     | 0.14 mm <sup>2</sup> ... 0.75 mm <sup>2</sup> (without ferrule)   |
|                             | 0.08 mm <sup>2</sup> ... 0.5 mm <sup>2</sup> (with ferrule)   |
|                             | 0.14 mm <sup>2</sup> ... 0.75 mm <sup>2</sup> (solid)   |
| Conductor cross section AWG | 26 ... 18 (without ferrule)   |
|                             | 28 ... 20 (with ferrule)  |
| Insertion/withdrawal cycles | ≥ 100   |
| Torque                      | 0.4 Nm (M12 knurl)  |
|                             | 0.8 Nm (Connector with coupling sleeve)   |
|                             | 3 Nm (Pressure nut with coupling sleeve)  |
| Assembly instructions       | The connector pin assignment can be rotated 45° to the cable outlet   |
|                             | The wires can be connected both with ferrules and without ferrules  |

### Material

|  |   |
|--|---|
| Flammability rating according to UL 94 | V0  |
| Contact material                       | CuSn  |
| Contact surface material               | Ni/Au   |
| Contact carrier material               | PA 6.6  |
| Material of grip body                  | Zinc die-cast, nickel-plated  |
| Material, knurls                       | Zinc die-cast, nickel-plated  |
| Sealing material                       | NBR   |
| Additional material specifications     | TPE-U (Clamping cage, weight: 1.1 g)  |
|  | PA 6 (Actuation lever)  |
| Standards/regulations                  | PA 6.6: Fire protection in rail vehicles - requirement sets R22, R23, R24, R25, and R26 acc. to DIN EN 45545-2 (Risk level HL1 - HL3) |
|  | PA 6: Fire protection in rail vehicles - requirement sets R22, R23, and R24 acc. to DIN EN 45545-2 (Risk level HL1 - HL3)             |

## Connector - SACC-M12FRB-5PL SH - 1424665

### Technical data

#### Standards and Regulations

|  |                                |
|--|--------------------------------|
| Standards/specifications               | M12 connector IEC 61076-2-101  |
|  | Shock, vibration EN 50155:2001 |
| Flammability rating according to UL 94 | V0                             |
| Standards/regulations                  | acc. to DIN EN 45545-2         |

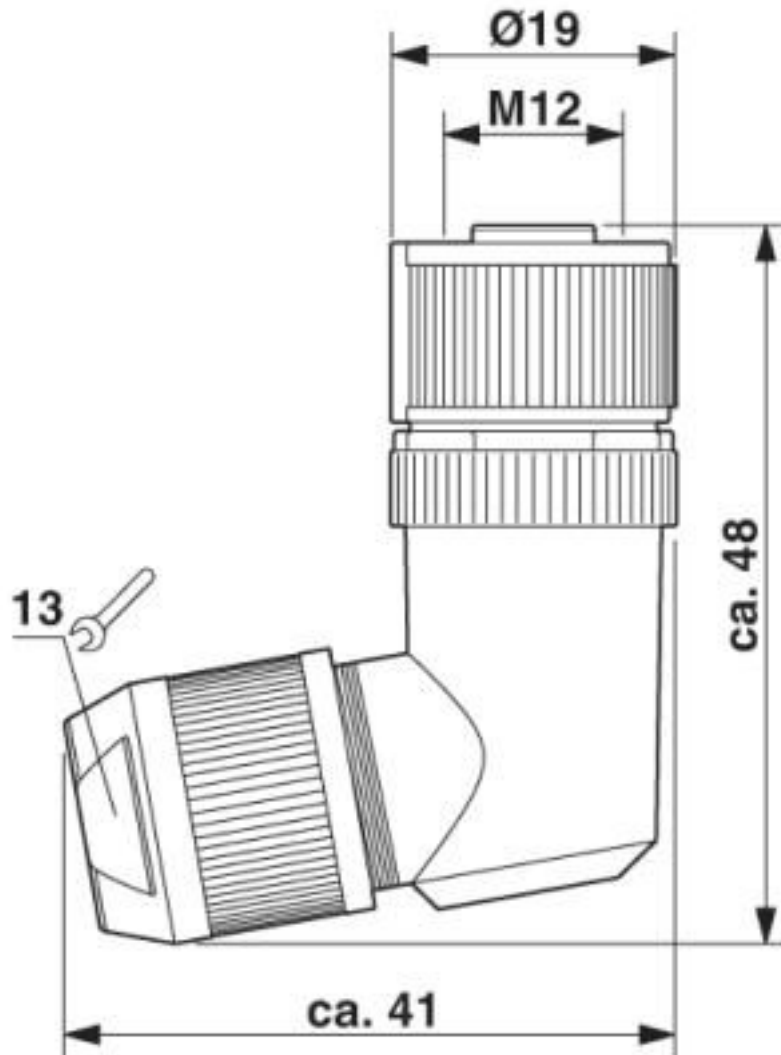
#### Environmental Product Compliance

|            |   |
|------------|---|
| China RoHS | Environmentally friendly use period: unlimited = EFUP-e |
|            | No hazardous substances above threshold values          |

### Drawings

# Connector - SACC-M12FRB-5PL SH - 1424665

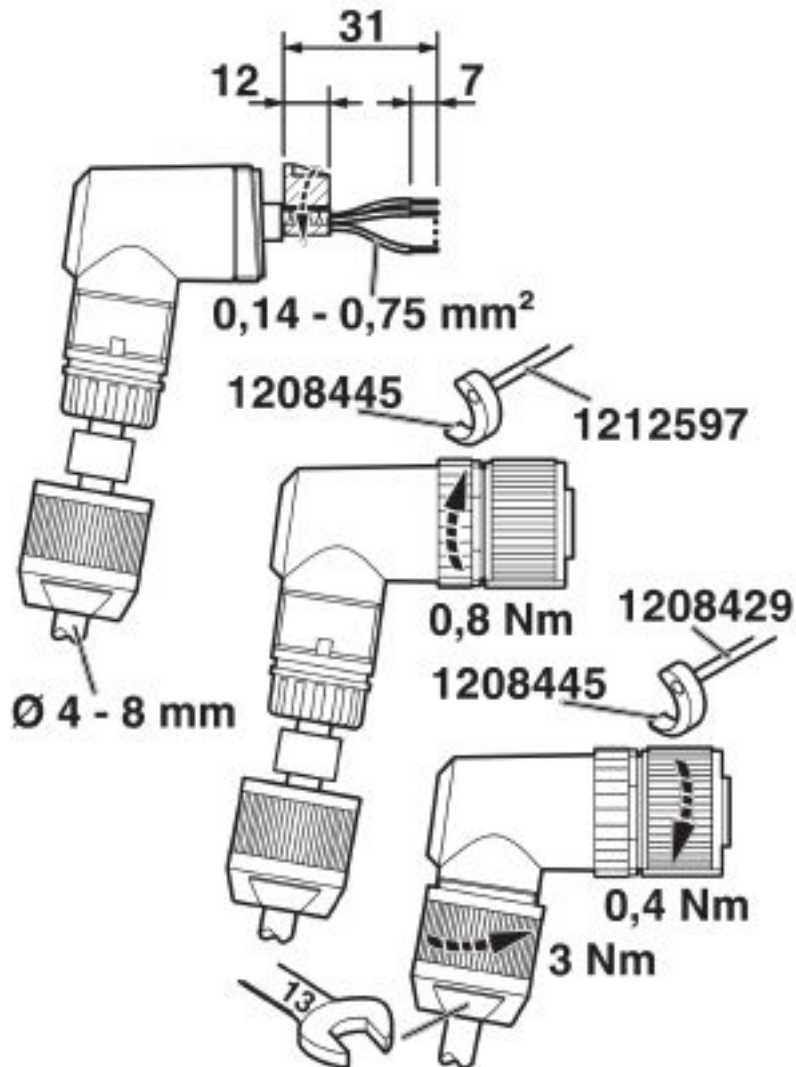
Dimensional drawing



Socket M12-SPEEDCON, angled, shielded

## Connector - SACC-M12FRB-5PL SH - 1424665

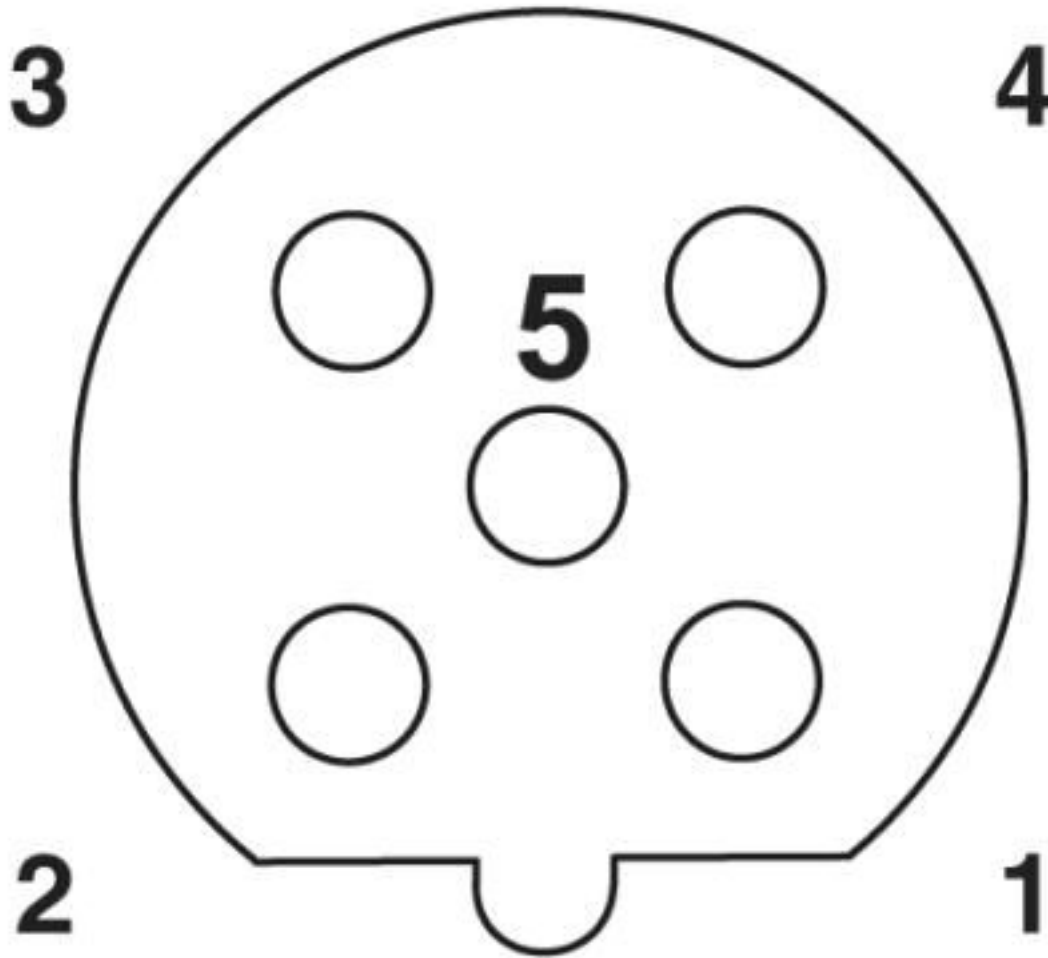
Functional drawing



Slide the pressure nut and sleeve housing along the cable, strip the cable, shorten the shield, strip the single wires, connect the wires, in the case of a straight sleeve housing gently twist the wires together, stick the shielding foil around the shortened shield, in the case of a cable outside diameter  $< 6 \text{ mm}$  stick an additional shielding foil around the wire pack, screw the sleeve housing to the plug insert, screw the pressure nut tight.

# Connector - SACC-M12FRB-5PL SH - 1424665

Schematic diagram



Pin assignment M12 socket, 5-pos., B-coded, female side

## Classifications

eCl@ss

|               |          |
|---------------|----------|
| eCl@ss 10.0.1 | 27440102 |
| eCl@ss 5.1    | 27143423 |
| eCl@ss 6.0    | 27279200 |
| eCl@ss 7.0    | 27440104 |
| eCl@ss 8.0    | 27440104 |
| eCl@ss 9.0    | 27440102 |

ETIM

|          |          |
|----------|----------|
| ETIM 5.0 | EC002635 |
| ETIM 6.0 | EC002635 |
| ETIM 7.0 | EC002635 |

# Connector - SACC-M12FRB-5PL SH - 1424665

## Approvals

### Approvals

#### Approvals

EAC / UL Listed / cUL Listed / EAC / cULus Listed

#### Ex Approvals

### Approval details

|     |  |  |                      |
|-----|--|--|----------------------|
| EAC |  |  | RU C-DE.AI30.B.01102 |
|-----|--|--|----------------------|

|                            |  |   |         |
|----------------------------|--|---|---------|
| UL Listed                  |  | <a href="http://database.ul.com/cgi-bin/XYV/template/LISEXT/1FRAME/index.htm">http://database.ul.com/cgi-bin/XYV/template/LISEXT/1FRAME/index.htm</a> | E221474 |
| Nominal voltage UN         |  | 60 V  |         |
| Nominal current IN         |  | 4 A   |         |
| mm <sup>2</sup> /AWG/kcmil |  | 26-18   |         |

|                            |  |   |         |
|----------------------------|--|---|---------|
| cUL Listed                 |  | <a href="http://database.ul.com/cgi-bin/XYV/template/LISEXT/1FRAME/index.htm">http://database.ul.com/cgi-bin/XYV/template/LISEXT/1FRAME/index.htm</a> | E221474 |
| Nominal voltage UN         |  | 60 V  |         |
| Nominal current IN         |  | 4 A   |         |
| mm <sup>2</sup> /AWG/kcmil |  | 26-18   |         |

|     |  |  |                      |
|-----|--|--|----------------------|
| EAC |  |  | RU C-DE.BL08.B.00511 |
|-----|--|--|----------------------|

|              |  |  |  |
|--------------|--|--|--|
| cULus Listed |  |  |  |
|--------------|--|--|--|

## Accessories

### Accessories

Cable by the meter

## Connector - SACC-M12FRB-5PL SH - 1424665

### Accessories

Cable reel - SAC-5P-100,0-PUR/SH-0,34 - 1501728



By the meter, Cable reel, shielded, PUR halogen-free, black-gray RAL 7021, 5-wire, color single wire: Brown, white, blue, black, gray, cable length: 100 m

---

### Cable end sleeve

Ferrule - AI 0,25- 6 YE - 3203024



Ferrule, sleeve length: 6 mm, length: 10.5 mm, color: yellow

---

Ferrule - A 0,25- 7 - 3202478



Ferrule, length: 7 mm, color: silver

---

Ferrule - A 0,34- 7 - 3009202



Ferrule, length: 7 mm, color: silver

---

Ferrule - A 0,5 - 6 - 3200218



Ferrule, length: 6 mm, color: silver



## Connector - SACC-M12FRB-5PL SH - 1424665

### Accessories

Ferrule - AI 0,5 - 6 WH - 3200687



Ferrule, sleeve length: 6 mm, length: 12 mm, color: white

---

### Crimping tool

Crimping pliers - CRIMPFOX 6H - 1212046



Crimping pliers, for ferrules without insulating collar according to DIN 46228 Part 1 and ferrules with insulating collar according to DIN 46228 Part 4, 0.14 mm<sup>2</sup> ... 6 mm<sup>2</sup>, unlockable pressure lock, lateral entry

---

### Plug for cable screw gland

Screw plug - PROT-M12 MS-PA-CHAIN - 1430899

M12 sealing cap with fixing band, for sensor cables, for free M12 sockets



---

### Screwdriver tools

Tool - SACC BIT M12-D20 - 1208445

Nut for assembling M12 connectors for assembly with a knurl diameter of 20 mm, for 4 mm hexagonal drive



---

Adapter insert - TSD-M SAC-BIT ADAPTER - 1212600



Adapter bit for TSD-M...torque tools, E6.3-1/4" drive with 4 mm hexagon to accommodate SAC bits

---

### Shield connection

## Connector - SACC-M12FRB-5PL SH - 1424665

### Accessories

Shielding foil - ALU-SB - 1404531

Shielding foil, for fixing the braided shield of shielded cables. Length: 4 cm, width: 1.2 cm



---

### Stripping tool

Stripping tool - WIREFOX 2,5 - 1212368



Stripping tool, for conductors and cables with a conductor cross section from 0.08 to 2.5 mm, self-adjusting, stripping length adjustable up to 15 mm, cutting capacity up to 6 mm<sup>2</sup> stranded/1.5 mm<sup>2</sup> solid

---

### Torque tool

Torque screwdriver - TSD 04 SAC - 1208429



Torque screwdriver, with preset torque of 0.4 Nm and 4 mm hexagonal drive for M12 connectors

---

Torque screwdriver - TSD 08 SAC - 1212597



Torque screw driver with preset torque of 0.8 Nm, with 4 mm hexagon for accommodating SAC bits, two-component handle with non-slip grip

---

Torque screwdriver - TSD-M 1,2NM - 1212224



Torque screw driver, accuracy as per EN ISO 6789 standard, adjustable from 0.3 - 1.2 Nm

## Connector - SACC-M12FRB-5PL SH - 1424665

### Accessories

Torque screwdriver - TSD-M 3NM - 1212225



Torque screw driver, accuracy as per EN ISO 6789 standard, adjustable from 1.2 - 3 Nm

---

Stripping tool - VS-CABLE-STRIP-VARIO - 1657407



Stripping tool, for the multi-level stripping of shielded cables

---

Phoenix Contact 2020 © - all rights reserved  
<http://www.phoenixcontact.com>

PHOENIX CONTACT GmbH & Co. KG  
Flachsmarktstr. 8  
32825 Blomberg  
Germany  
Tel. +49 5235 300  
Fax +49 5235 3 41200  
<http://www.phoenixcontact.com>

## X-ON Electronics

Largest Supplier of Electrical and Electronic Components

*Click to view similar products for [Circular Metric Connectors](#) category:*

*Click to view products by [Phoenix Contact](#) manufacturer:*

Other Similar products are found below :

[600X518037X](#) [6STD15PCR99B70A](#) [8R4000A16M020](#) [8R5000A16M005](#) [1200910002](#) [1203580030](#) [1200910008](#) [1200910011](#) [1300140094](#)  
[130203-0054](#) [1300140026](#) [1300150099](#) [RF-12S1N8A90DU](#) [1612618](#) [21036836414](#) [8R4006A16M010](#) [8R5006A18A120](#) [1604232](#)  
[1R3006A20M005](#) [RF-12P1N8A80DU](#) [RF-12P1N8A90DU](#) [41-40011](#) [42-00006](#) [42-01015](#) [4-22279-4](#) [4-22281-1](#) [4-22284-9](#) [43-00113](#) [43-](#)  
[01088](#) [43-01203](#) [41-40013](#) [42-00008](#) [43-00343](#) [43-01032](#) [43-01162](#) [43-01173](#) [43-10000](#) [XS3P-M421-2](#) [600X518050X](#) [SACC-DSI-FS-5P-](#)  
[PG9-L180 SC](#) [8R5006A16M020](#) [8R5006A16M005](#) [8R4000A16M010](#) [6-22279-3](#) [1605332](#) [N03FA03144](#) [1300140077](#) [43-16213](#) [43-01338](#)  
[XS2RD4265](#)