

Flush-type connector - SACC-CI-M12MSL-4FE-L180 THR SH GR T - 1425597

Please be informed that the data shown in this PDF Document is generated from our Online Catalog. Please find the complete data in the user's documentation. Our General Terms of Use for Downloads are valid (<http://phoenixcontact.com/download>)




Flush-type connector, Power, 5-position, Plug, straight, L - Power, PCB mounting, THR solder connection

Your advantages

- ✓ For compact devices: transmit high power in a confined space
- ✓ Reduced mounting costs thanks to two-piece device connector
- ✓ Packaging available for automated pick and place assembly
- ✓ All common pin assignments and codings available
- ✓ Easy device integration, thanks to mechanical port screw connections with threaded fastening
- ✓ Additional gasket for the device when not plugged in



Key Commercial Data

| | |
|------------------------|---|
| Packing unit | 60 pc |
| Minimum order quantity | 60 pc |
| GTIN |  4 055626 427270 |
| GTIN | 4055626427270 |

Technical data

Ambient conditions

| | |
|---------------------------------|--|
| Ambient temperature (operation) | -25 °C ... 105 °C |
| | -40 °C ... 105 °C (without mechanical actuation) |
| Degree of protection | IP67 (correctly plugged in and locked) |

General

| | |
|------|--|
| Note | The electrical and mechanical data specified assume that the connector pair is correctly locked and mounted. If the connector is unlocked and if there is a danger of contamination, the connector must be sealed using a protective cap > IP54. Influences arising from litz wires, cables or PCB assembly must also be taken into consideration. |
|------|--|

Flush-type connector - SACC-CI-M12MSL-4FE-L180 THR SH GR T - 1425597

Technical data

General

| | |
|-----------------------------|---|
| | FE not connected to metal parts that can be touched, no protective function |
| Rated current at 40°C | 16 A |
| Rated voltage | 63 V |
| Rated surge voltage | 1.5 kV |
| Number of positions | 5 |
| Coding | L - Power |
| Standards/regulations | M12 connector IEC 61076-2-111 In line with |
| Signal type/category | Power |
| Overvoltage category | III |
| Degree of pollution | 3 |
| Connection method | THR solder connection |
| Insertion/withdrawal cycles | > 100 |
| Mounting type | PCB mounting |
| Type of packaging | Tray |
| Delivery state | with assembly pad |

Material

| | |
|--|------|
| Flammability rating according to UL 94 | V0 |
| Contact material | CuZn |
| Contact surface material | Au |
| Contact carrier material | PA4T |
| Sealing material | FKM |

Cable

| | |
|--------------------------|--|
| Standards/specifications | M12 connector IEC 61076-2-111 In line with |
|--------------------------|--|

Standards and Regulations

| | |
|--|--|
| Standards/specifications | M12 connector IEC 61076-2-111 In line with |
| Flammability rating according to UL 94 | V0 |

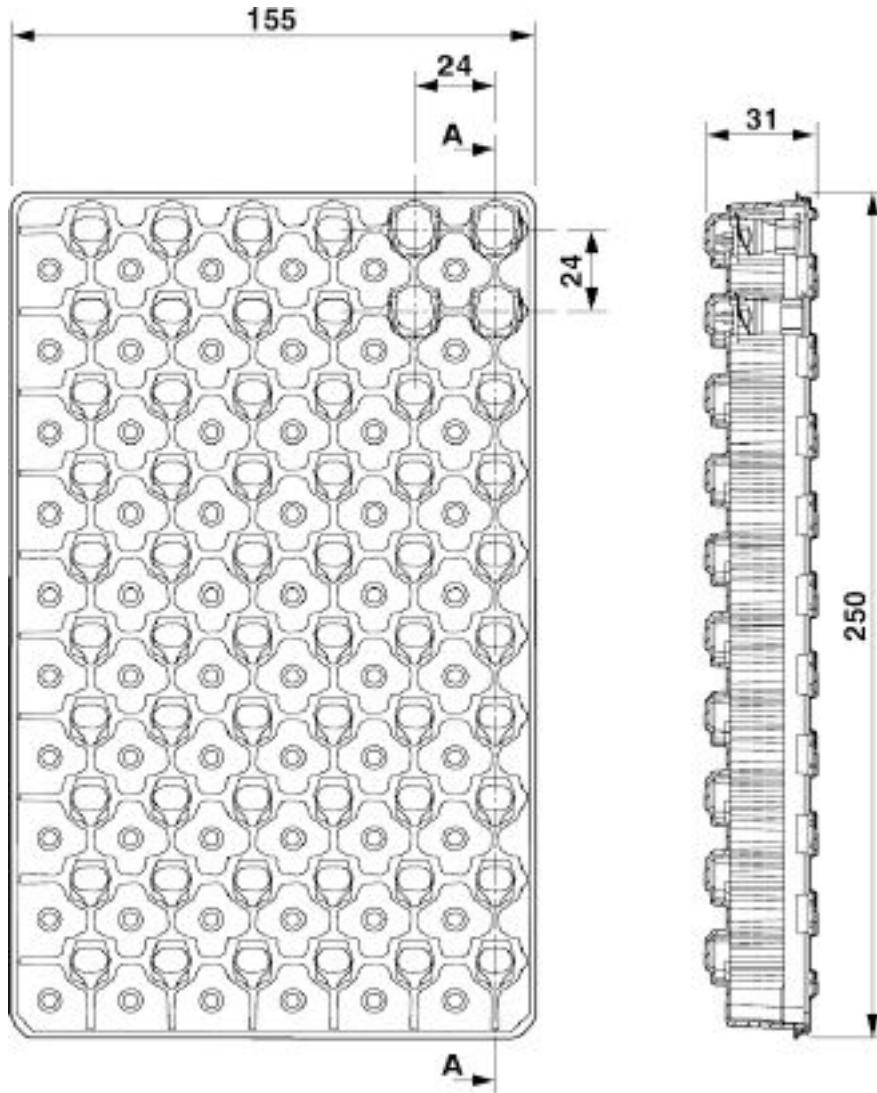
Environmental Product Compliance

| | |
|------------|---|
| REACH SVHC | Lead 7439-92-1 |
| China RoHS | Environmentally Friendly Use Period = 50 years |
| | For details about hazardous substances go to tab "Downloads", Category "Manufacturer's declaration" |

Drawings

Flush-type connector - SACC-CI-M12MSL-4FE-L180 THR SH GR T - 1425597

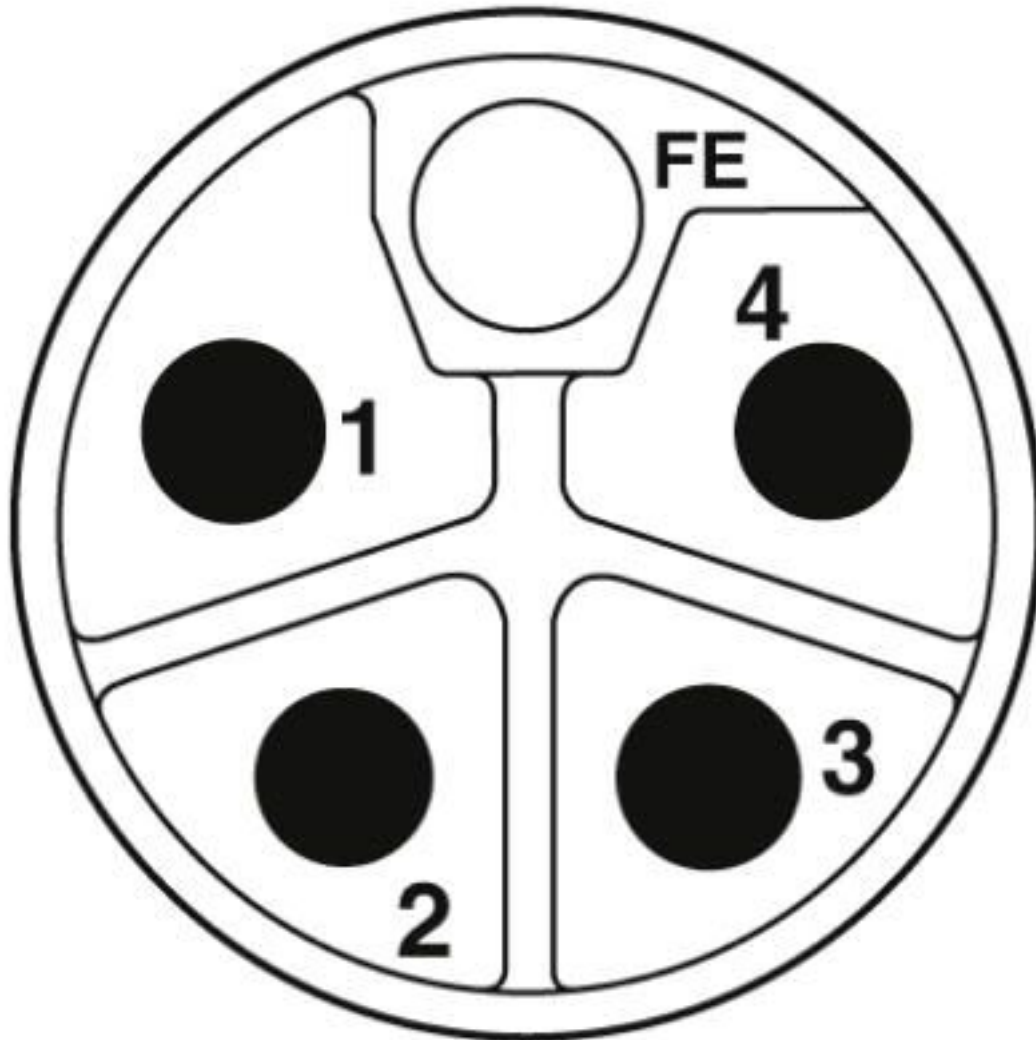
Dimensional drawing



THR tray packaging

Flush-type connector - SACC-CI-M12MSL-4FE-L180 THR SH GR
T - 1425597

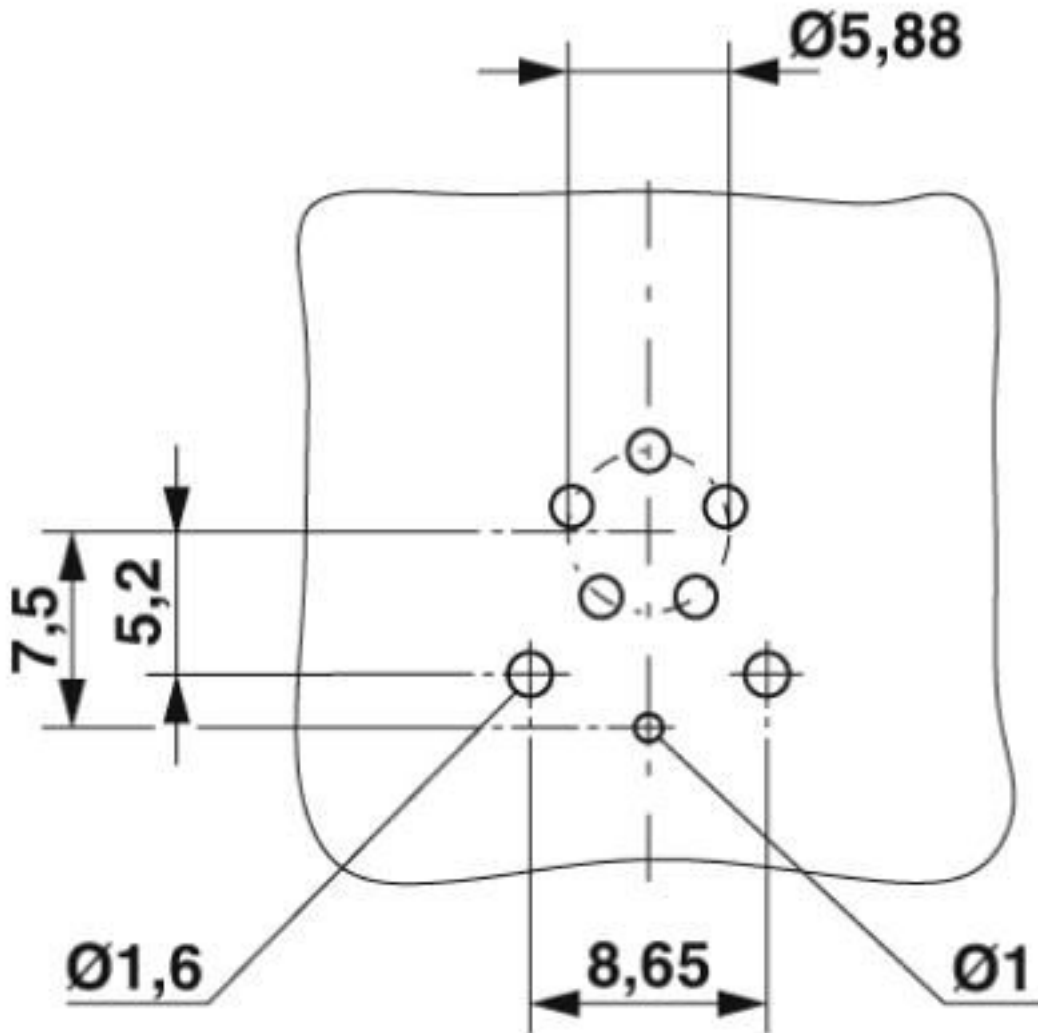
Schematic diagram



Pin assignment of M12 connector, 5-pos., L-coded, pin side view

Flush-type connector - SACC-CI-M12MSL-4FE-L180 THR SH GR T - 1425597

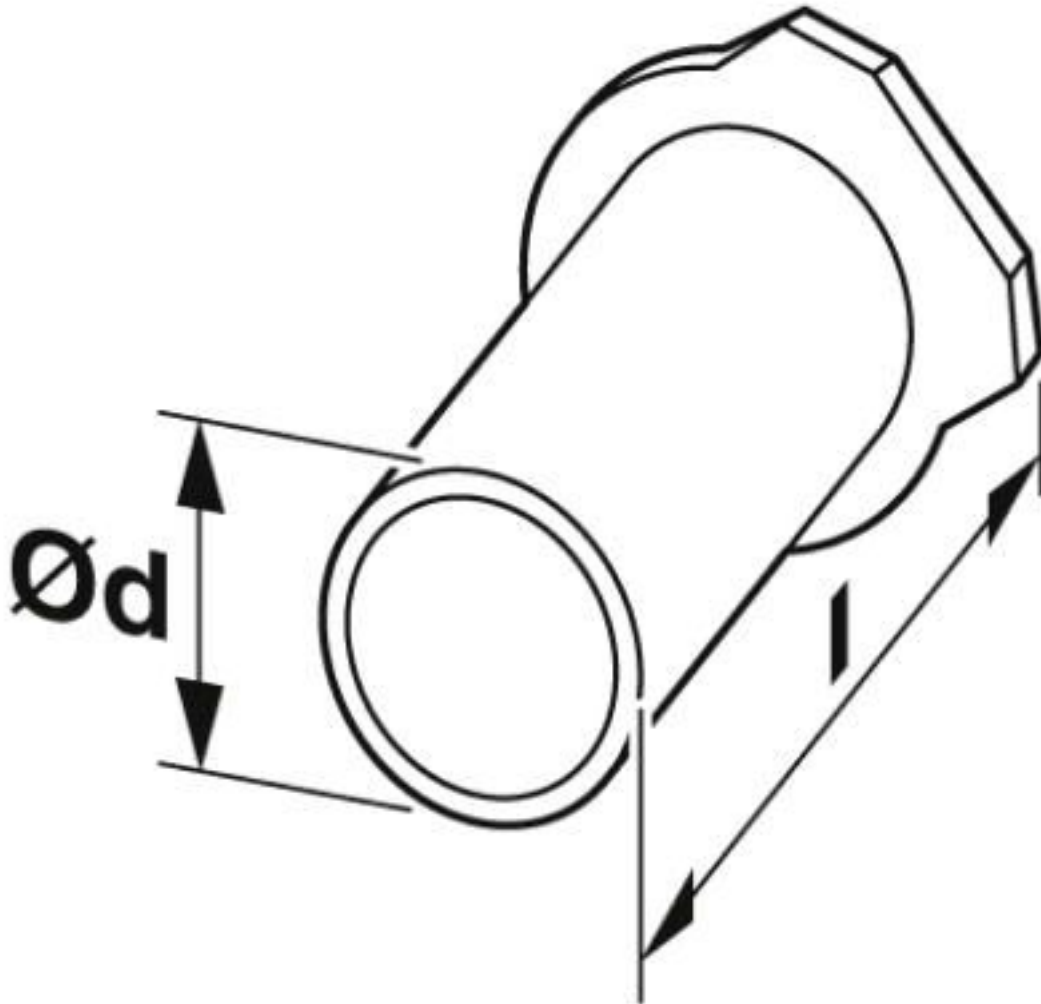
Drilling diagram



Soldering pad geometry

Flush-type connector - SACC-CI-M12MSL-4FE-L180 THR SH GR T - 1425597

Dimensional drawing



Technical drawings can be found under Downloads

Classifications

eCl@ss

| | |
|---------------|----------|
| eCl@ss 10.0.1 | 27440109 |
| eCl@ss 4.0 | 27140815 |
| eCl@ss 4.1 | 27140815 |
| eCl@ss 5.0 | 27143423 |
| eCl@ss 5.1 | 27143423 |
| eCl@ss 6.0 | 27143423 |
| eCl@ss 7.0 | 27449001 |
| eCl@ss 8.0 | 27440103 |

Flush-type connector - SACC-CI-M12MSL-4FE-L180 THR SH GR T - 1425597

Classifications

eCl@ss

| | |
|------------|----------|
| eCl@ss 9.0 | 27440103 |
|------------|----------|

ETIM

| | |
|----------|----------|
| ETIM 6.0 | EC002061 |
|----------|----------|

Approvals


Approvals

Approvals

cULus Recognized / EAC

Ex Approvals

Approval details

| | | | |
|--------------------|---|---|------------------|
| cULus Recognized |  | http://database.ul.com/cgi-bin/XYV/template/LISEXT/1FRAME/index.htm | E468743-20180113 |
| Nominal voltage UN | 63 V | | |
| Nominal current IN | 16 A | | |

| | | |
|-----|---|---------|
| EAC |  | B.01687 |
|-----|---|---------|

Accessories

Accessories

Panel mounting base

Housing screw connection - SACC-FP-M-M12/M14 THR PW - 1420824



Housing screw connection with M12 standard thread, with O-ring, for 2-piece K, L, and M-coded THR contact carriers

Flush-type connector - SACC-CI-M12MSL-4FE-L180 THR SH GR T - 1425597

Accessories

Housing screw connection - SACC-BP-M-M12/M15-6-THR PW - 1420826



Housing screw connection with M12 standard thread, with O-ring, for 2-piece K, L, and M-coded THR contact carriers

Housing screw connection - SACC-FP-M-M12-THR PW PP - 1108115



Housing screw connection with M12 standard thread, push-pull, with O-ring, for 2-piece K-, L-, and M-coded THR contact carriers

Housing screw connection - SACC-BP-M-M12-THR PW PP - 1108101



Housing screw connection with M12 standard thread, push-pull, with O-ring, for 2-piece K-, L-, and M-coded THR contact carriers

Phoenix Contact 2020 © - all rights reserved
<http://www.phoenixcontact.com>

PHOENIX CONTACT GmbH & Co. KG
Flachsmarktstr. 8
32825 Blomberg
Germany
Tel. +49 5235 300
Fax +49 5235 3 41200
<http://www.phoenixcontact.com>

X-ON Electronics

Largest Supplier of Electrical and Electronic Components

Click to view similar products for [Standard Circular Connector](#) category:

Click to view products by [Phoenix Contact](#) manufacturer:

Other Similar products are found below :

[5M2530B10P](#) [600259N006](#) [600273N007](#) [6134-336-13149](#) [6134-337-11149](#) [6134-337-2390](#) [6134-341-17149](#) [6280-4SG-516](#) [6280-7SG-3DC](#)
[6290](#) [6291A](#) [66200A-10](#) [680-SMG](#) [681-PMG](#) [CXS3102A14S2P](#) [CXS3102A181S](#) [7271-6SG-300](#) [7282-3PG-300-CH3](#) [75-474014-05S](#) [75-](#)
[474618-01S](#) [75-474618-04P](#) [75-474618-04S](#) [799539-000](#) [MI8-SE](#) [805-005-07NF11-19PC](#) [805-005-07NF15-7PA](#) [8280-4PG-516](#) [8280-7PG-](#)
[519](#) [8282-5PG-519](#) [836783-1](#) [MP-4102-25P-C](#) [862256-1](#) [864019-2](#) [866857-1](#) [867865-1](#) [PT01SP-14-18P](#) [PT08P-14-5S](#) [120-1833-000](#)
[QCM019PC2DC012B](#) [1-2069279-1](#) [121583-0217](#) [121667-0020](#) [129591AU](#) [1000B BULK](#) [RD10A16-19-P6CS051/1](#) [RD10A20-31-](#)
[P8CS051/1](#) [RD16A14-12-S6CS051/2](#) [1301240290](#) [1301240347](#) [1301860202](#) [1301240268](#)