

# Termination resistor - SAC-4P-MINMS FF-TR VA - 1430023


Please be informed that the data shown in this PDF Document is generated from our Online Catalog. Please find the complete data in the user's documentation. Our General Terms of Use for Downloads are valid (<http://phoenixcontact.com/download>)



FOUNDATION Fieldbus termination resistor, 4-pos., 7/8"-UNF plug



## Key Commercial Data

Packing unit	1 pc
GTIN	 4 046356 319232
GTIN	4046356319232

## Technical data

### Ambient conditions

Ambient temperature (operation)	-40 °C ... 80 °C (Plug / socket)
Degree of protection	IP67

### General

Rated voltage	250 V AC
	250 V DC
Termination resistor	100 Ω (Contact 1 and 2, with 1 μF capacitor)
Number of positions	4
Insulation resistance	≥ 10 MΩ
Status display	No
Overvoltage category	II
Degree of pollution	2

### Material

Flammability rating according to UL 94	HB
Contact material	CuZn
Contact surface material	AU
Contact carrier material	PA 6.6
Material of grip body	TPU

# Termination resistor - SAC-4P-MINMS FF-TR VA - 1430023

## Technical data

### Material

Material, knurls	Stainless steel
------------------	-----------------

### Standards and Regulations

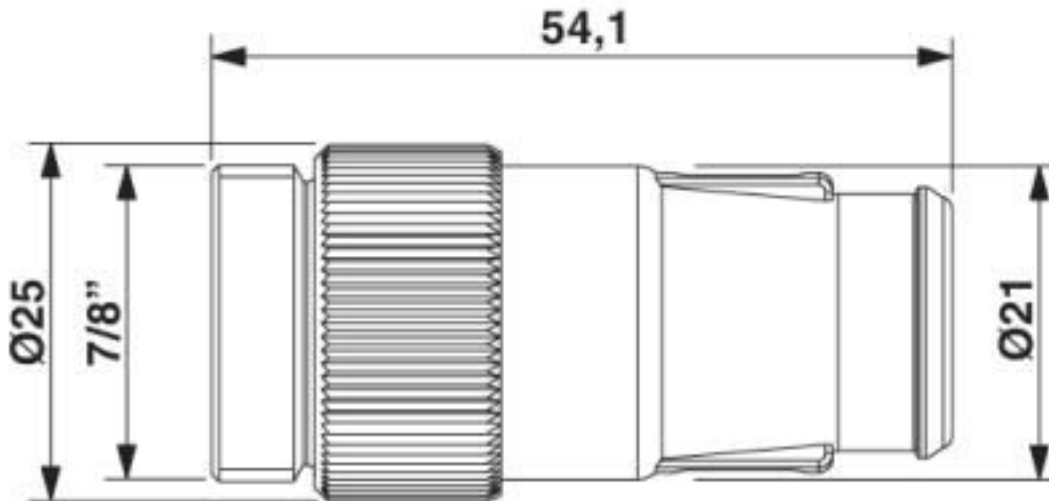
Flammability rating according to UL 94	HB
--	----

### Environmental Product Compliance

China RoHS	Environmentally Friendly Use Period = 50 years
	For details about hazardous substances go to tab "Downloads", Category "Manufacturer's declaration"

## Drawings

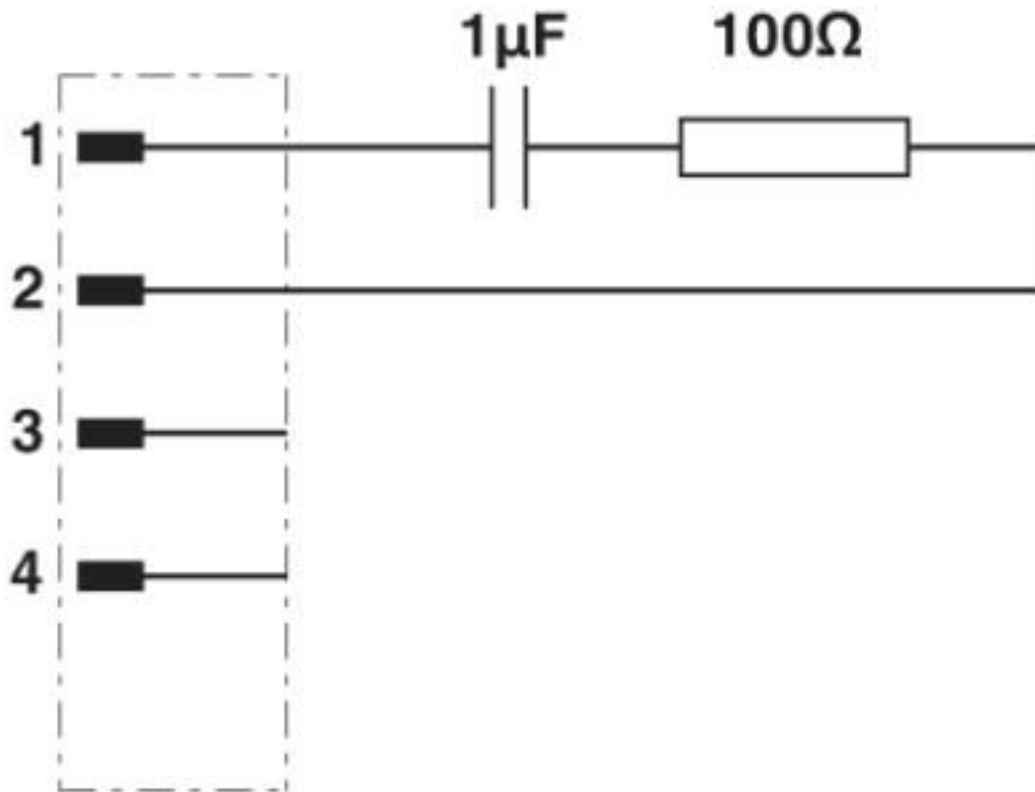
Dimensional drawing



7/8" termination resistor

## Termination resistor - SAC-4P-MINMS FF-TR VA - 1430023

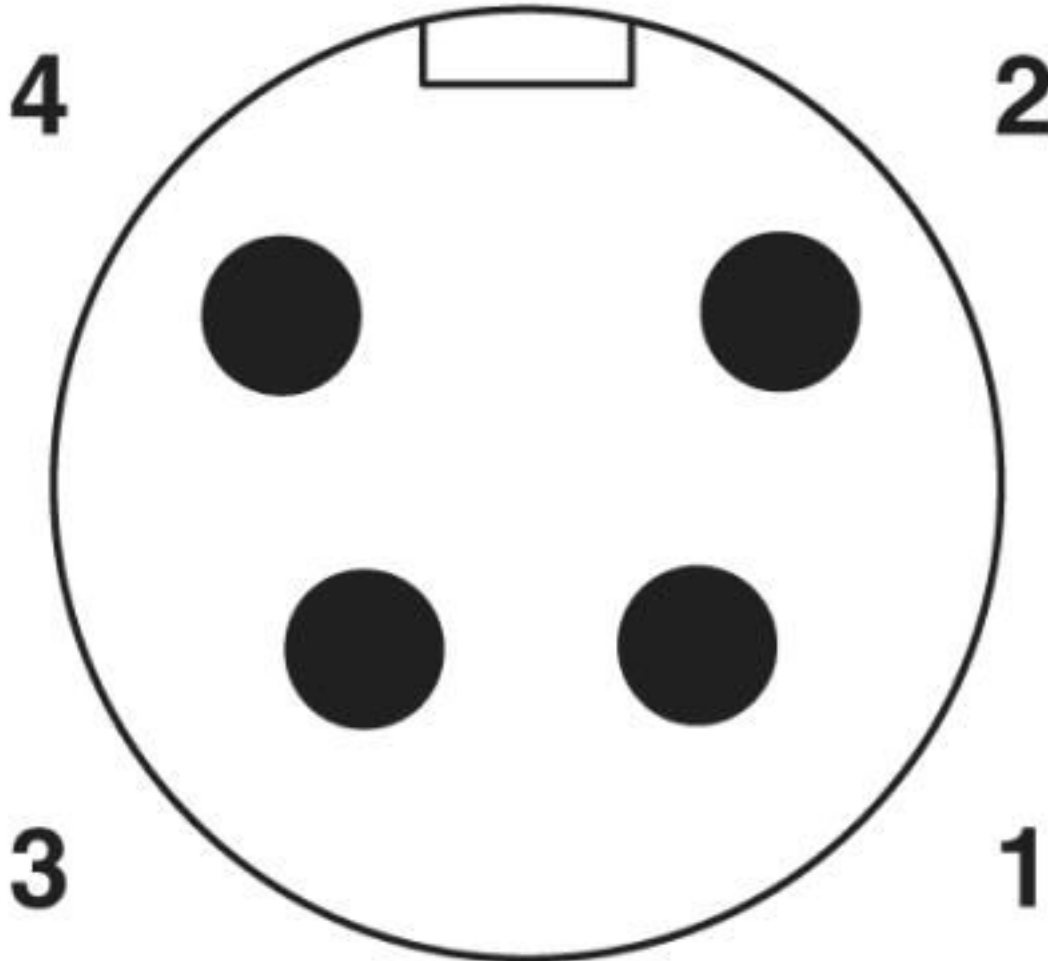
Circuit diagram



Contact assignment and wiring of the 7/8" termination resistor

# Termination resistor - SAC-4P-MINMS FF-TR VA - 1430023

Schematic diagram



Pin assignment, plug, 7/8"-16UNF, 4-pos., view of male side

## Classifications

eCl@ss

eCl@ss 4.0	27060306
eCl@ss 4.1	27060306
eCl@ss 5.0	27061801
eCl@ss 5.1	27061800
eCl@ss 6.0	27279200
eCl@ss 7.0	27279218
eCl@ss 8.0	27279218
eCl@ss 9.0	19070403

ETIM

ETIM 3.0	EC001855
----------	----------

## Termination resistor - SAC-4P-MINMS FF-TR VA - 1430023

### Classifications

#### ETIM

ETIM 4.0	EC001855
ETIM 5.0	EC001855
ETIM 6.0	EC001855

#### UNSPSC

UNSPSC 6.01	31251501
UNSPSC 7.0901	31251501
UNSPSC 11	31251501
UNSPSC 12.01	31251501
UNSPSC 13.2	31251501
UNSPSC 19.0	31251501

---

Phoenix Contact 2020 © - all rights reserved  
<http://www.phoenixcontact.com>

PHOENIX CONTACT GmbH & Co. KG  
Flachsmarktstr. 8  
32825 Blomberg  
Germany  
Tel. +49 5235 300  
Fax +49 5235 3 41200  
<http://www.phoenixcontact.com>

## X-ON Electronics

Largest Supplier of Electrical and Electronic Components

*Click to view similar products for [Circular Metric Connectors](#) category:*

*Click to view products by [Phoenix Contact](#) manufacturer:*

Other Similar products are found below :

[600X518037X](#) [6STD15PCR99B70A](#) [8R4000A16M020](#) [8R5000A16M005](#) [1200910002](#) [1203580030](#) [1200910008](#) [1200910011](#) [1300140094](#)  
[130203-0054](#) [1300140026](#) [1300150099](#) [RF-12S1N8A90DU](#) [1-3637-600-5205](#) [1612618](#) [21036836414](#) [8R4006A16M010](#) [1604232](#)  
[1R3006A20M005](#) [RF-12P1N8A90DU](#) [41-40011](#) [42-00006](#) [42-01015](#) [4-22279-4](#) [4-22281-1](#) [4-22284-9](#) [43-00113](#) [43-01088](#) [43-01203](#) [41-](#)  
[40013](#) [42-00008](#) [43-00343](#) [43-01026](#) [43-01162](#) [43-01173](#) [43-10000](#) [XS3P-M421-2](#) [600X518050X](#) [SACC-DSI-FS-5P-PG9-L180 SC](#)  
[8R5006A16M020](#) [8R5006A16M005](#) [8R4000A16M010](#) [6-22279-3](#) [1605332](#) [N03FA03144](#) [1300140077](#) [43-16213](#) [43-01338](#) [XS2RD4265](#)  
[XS2R-D426-1](#)