

Screw plug - PROT-MINMS-PA-CHAIN - 1430925


Please be informed that the data shown in this PDF Document is generated from our Online Catalog. Please find the complete data in the user's documentation. Our General Terms of Use for Downloads are valid (<http://phoenixcontact.com/download>)

7/8" sealing cap made of plastic with fixing band, for sensor cables, for 7/8" sockets



RoHS

Key Commercial Data

Packing unit	10 pc
GTIN	 4 046356 332811
GTIN	4046356332811

Technical data

Ambient conditions

Ambient temperature (operation)	-25 °C ... 85 °C
Degree of protection	IP65
	IP67

Material

Flammability rating according to UL 94	V0
Material	PA 6.6 GF
Sealing material	NBR
Additional material specifications	PUR (Holding band)

Standards and Regulations

Flammability rating according to UL 94	V0
--	----

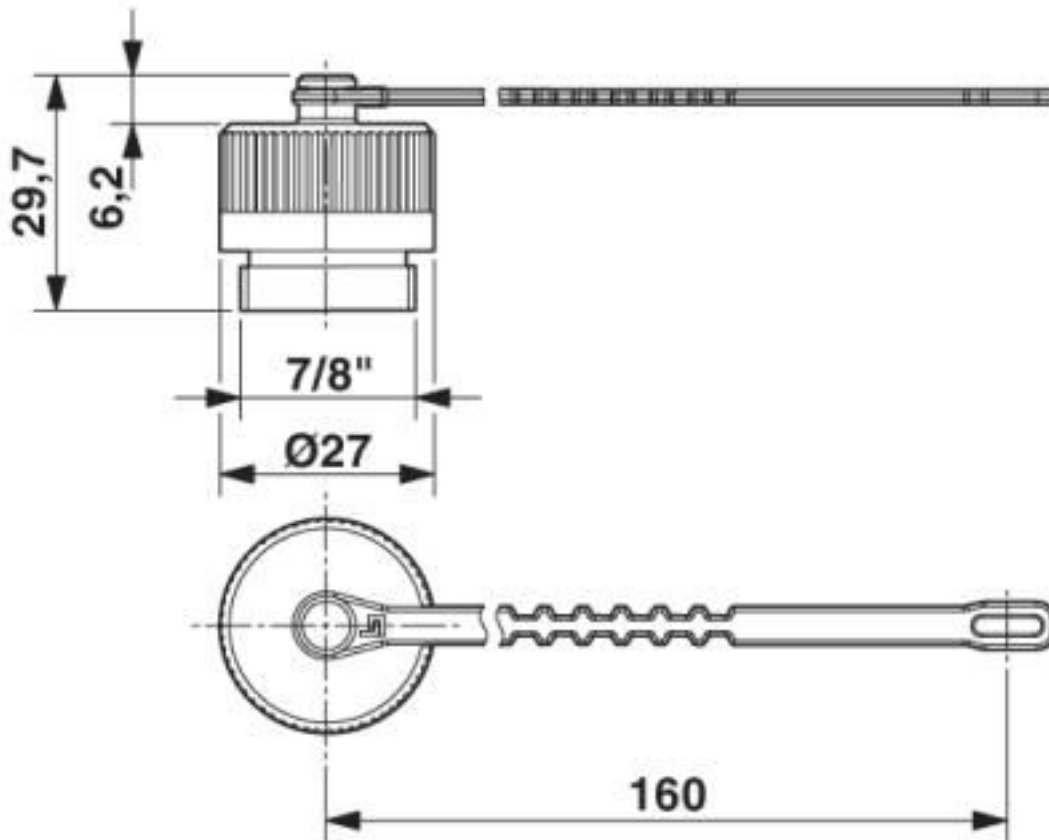
Environmental Product Compliance

China RoHS	Environmentally Friendly Use Period = 25;
	For details about hazardous substances go to tab "Downloads", Category "Manufacturer's declaration"

Drawings

Screw plug - PROT-MINMS-PA-CHAIN - 1430925

Dimensional drawing



Dimensional drawing

Classifications

eCl@ss

eCl@ss 10.0.1	23111190
eCl@ss 4.0	23111100
eCl@ss 4.1	23111100
eCl@ss 5.0	23111100
eCl@ss 5.1	23111100
eCl@ss 6.0	23111100
eCl@ss 7.0	23111190
eCl@ss 8.0	23111190
eCl@ss 9.0	23111190

ETIM

ETIM 3.0	EC002040
ETIM 4.0	EC002040
ETIM 5.0	EC002040

Screw plug - PROT-MINMS-PA-CHAIN - 1430925

Classifications

ETIM

ETIM 6.0	EC000032
ETIM 7.0	EC000032

UNSPSC

UNSPSC 6.01	31251501
UNSPSC 7.0901	31251501
UNSPSC 11	31251501
UNSPSC 12.01	31251501
UNSPSC 13.2	31161501
UNSPSC 18.0	31261502
UNSPSC 19.0	31261502
UNSPSC 20.0	31261502
UNSPSC 21.0	31261502

Phoenix Contact 2020 © - all rights reserved
<http://www.phoenixcontact.com>

PHOENIX CONTACT GmbH & Co. KG
Flachsmarktstr. 8
32825 Blomberg
Germany
Tel. +49 5235 300
Fax +49 5235 3 41200
<http://www.phoenixcontact.com>

X-ON Electronics

Largest Supplier of Electrical and Electronic Components

Click to view similar products for [DIN Rail Terminal Blocks](#) category:

Click to view products by [Phoenix Contact](#) manufacturer:

Other Similar products are found below :

[00110420202](#) [8WA1011-1BH23](#) [8WA1011-1EF20](#) [91.010](#) [9102100000](#) [91.040](#) [9123140000](#) [9123140001](#) [RBO 5-T-B-HEX](#) [1333564](#) [DP25-GY-ND](#) [1431306](#) [1433306](#) [90.070](#) [91.020](#) [912314](#) [260-301_NR](#) [2757571](#) [280-331](#) [280-560](#) [280-564](#) [281-611/281-542](#) [281-673/281-411](#) [281-994](#) [283-317](#) [283-607](#) [2909798](#) [264-724](#) [264-726](#) [280-530](#) [280-555](#) [280-619](#) [281-610](#) [281-622/281-417](#) [284-317](#) [284-601](#) [2907033](#) [3048496](#) [5542152](#) [35956](#) [USK 10](#) [102510](#) [1025100000](#) [5520682](#) [5607102](#) [EMH 25-ZE30](#) [591620-2](#) [UM 45-SEFE M.NUT BK](#) [1-591651-1](#) [8671050000](#)