

Termination resistor - SAC-5P-MINMS TR-DN - 1434701

Please be informed that the data shown in this PDF Document is generated from our Online Catalog. Please find the complete data in the user's documentation. Our General Terms of Use for Downloads are valid (<http://phoenixcontact.com/download>)



DeviceNet™ termination resistor, 5-pos., 7/8"-UNF plug



DeviceNet

Key Commercial Data

| | |
|--------------|---------------|
| Packing unit | 1 pc |
| GTIN | |
| GTIN | 4046356362511 |

Technical data

Ambient conditions

| | |
|---------------------------------|----------------------------------|
| Ambient temperature (operation) | -40 °C ... 80 °C (Plug / socket) |
| Degree of protection | IP65 |
| | IP67 |

General

| | |
|-----------------------------|--------------|
| Rated voltage | 300 V DC |
| Rated surge voltage | 1500 V |
| Number of positions | 5 |
| Insulation resistance | ≥ 10 MΩ |
| Coding | A - standard |
| Status display | No |
| Overvoltage category | II |
| Degree of pollution | 3 |
| Insertion/withdrawal cycles | 100 |

Material

| | |
|--------------------------|--------|
| Contact material | CuZn |
| Contact surface material | AU |
| Contact carrier material | PA 6.6 |

Termination resistor - SAC-5P-MINMS TR-DN - 1434701

Technical data

Material

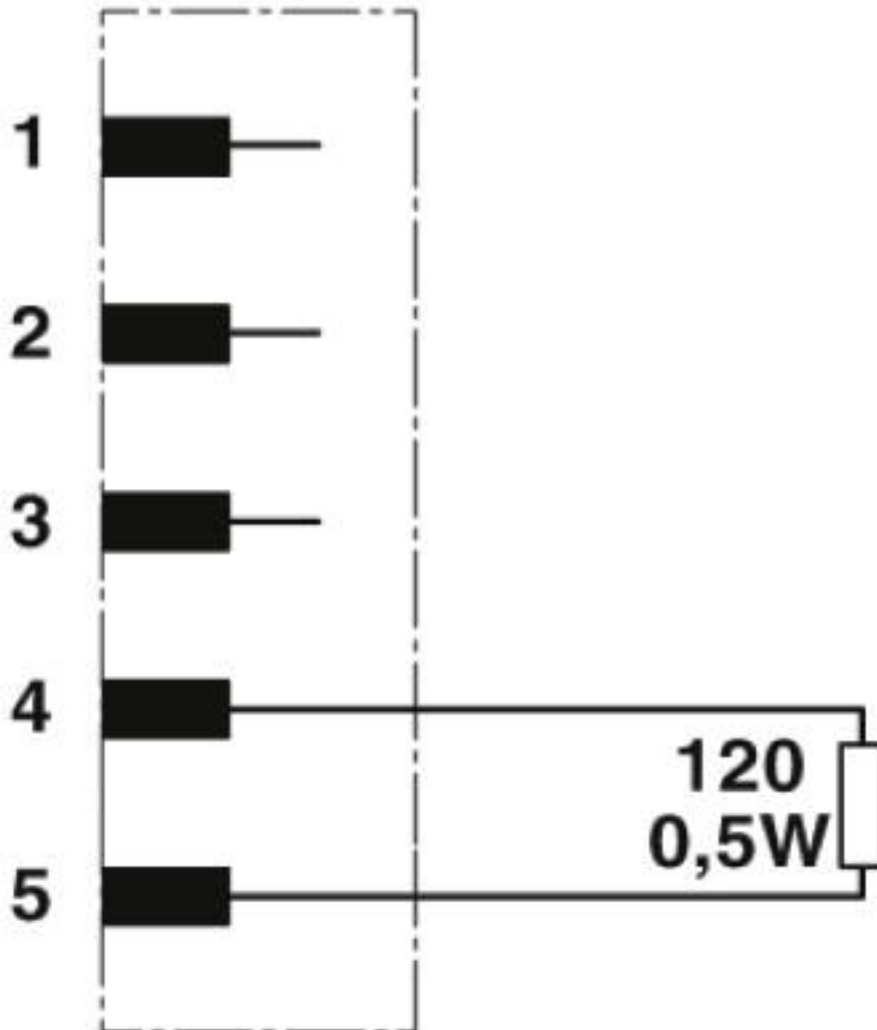
| | |
|-----------------------|-----|
| Material of grip body | TPU |
| Sealing material | TPU |

Environmental Product Compliance

| | |
|------------|---|
| REACH SVHC | Lead 7439-92-1 |
| China RoHS | Environmentally Friendly Use Period = 50 years |
| | For details about hazardous substances go to tab "Downloads", Category "Manufacturer's declaration" |

Drawings

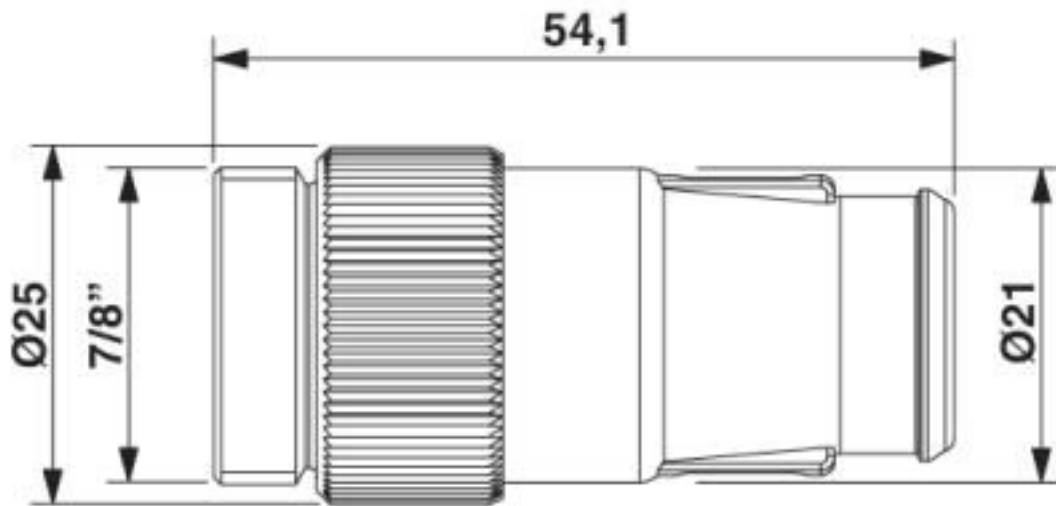
Circuit diagram



Contact assignment and wiring of the 7/8" termination resistor

Termination resistor - SAC-5P-MINMS TR-DN - 1434701

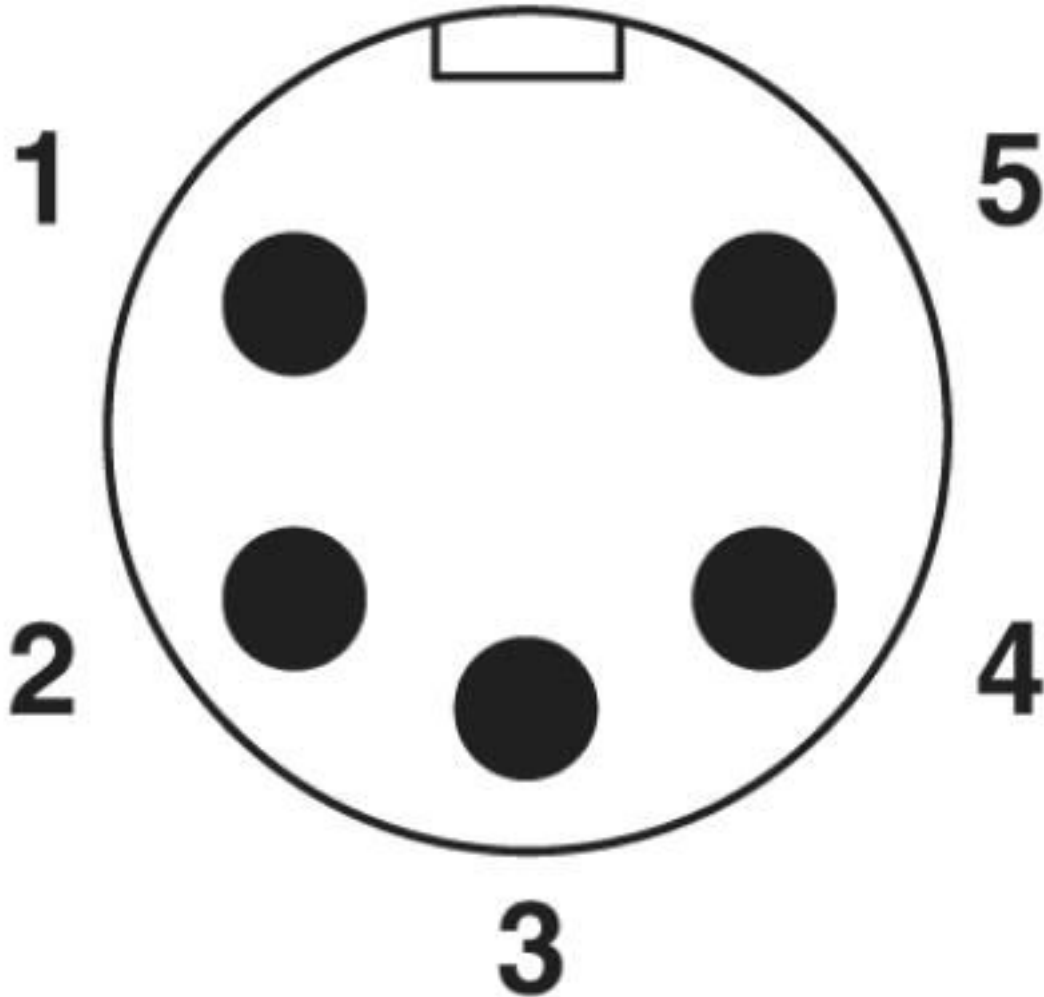
Dimensional drawing



7/8" termination resistor

Termination resistor - SAC-5P-MINMS TR-DN - 1434701

Schematic diagram



Plug pin assignment for 7/8"-16UNF plug, 5-pos.

Classifications

eCl@ss

| | |
|---------------|----------|
| eCl@ss 10.0.1 | 19070403 |
| eCl@ss 4.0 | 27060300 |
| eCl@ss 4.1 | 27060300 |
| eCl@ss 5.0 | 19070400 |
| eCl@ss 5.1 | 19070400 |
| eCl@ss 6.0 | 19070400 |
| eCl@ss 7.0 | 19070403 |
| eCl@ss 8.0 | 19070403 |
| eCl@ss 9.0 | 19070403 |

Termination resistor - SAC-5P-MINMS TR-DN - 1434701

Classifications

ETIM

| | |
|----------|----------|
| ETIM 2.0 | EC000448 |
| ETIM 3.0 | EC000448 |
| ETIM 4.0 | EC000448 |
| ETIM 5.0 | EC000448 |
| ETIM 6.0 | EC000448 |
| ETIM 7.0 | EC000448 |

UNSPSC

| | |
|---------------|----------|
| UNSPSC 6.01 | 31251501 |
| UNSPSC 7.0901 | 32121609 |
| UNSPSC 11 | 32121609 |
| UNSPSC 12.01 | 32121609 |
| UNSPSC 13.2 | 32121617 |
| UNSPSC 18.0 | 32121617 |
| UNSPSC 19.0 | 32121617 |
| UNSPSC 20.0 | 32121617 |
| UNSPSC 21.0 | 32121617 |

Approvals


Approvals


Approvals

UL Listed / cUL Listed / EAC / EAC / cULus Listed

Ex Approvals

Approval details

| | | | |
|--------------------|---|---|---------------|
| UL Listed |  | http://database.ul.com/cgi-bin/XYV/template/LISEXT/1FRAME/index.htm | FILE E 221474 |
| Nominal voltage UN | | 60 V | |


| | | | |
|--------------------|---|---|---------------|
| cUL Listed |  | http://database.ul.com/cgi-bin/XYV/template/LISEXT/1FRAME/index.htm | FILE E 221474 |
| Nominal voltage UN | | 60 V | |

Termination resistor - SAC-5P-MINMS TR-DN - 1434701

Approvals

| | | |
|-----|---|--------------------------|
| EAC |  | RU C- DE.AI30.B.01102 |
|-----|---|--------------------------|

| | | |
|-----|---|--------------------------|
| EAC |  | RU C- DE.BL08.B.00511 |
|-----|---|--------------------------|

| | | |
|--------------|---|--|
| cULus Listed |  | |
|--------------|---|--|

Phoenix Contact 2020 © - all rights reserved
<http://www.phoenixcontact.com>

PHOENIX CONTACT GmbH & Co. KG
Flachsmarktstr. 8
32825 Blomberg
Germany
Tel. +49 5235 300
Fax +49 5235 3 41200
<http://www.phoenixcontact.com>

X-ON Electronics

Largest Supplier of Electrical and Electronic Components

Click to view similar products for [Phoenix Contact](#) manufacturer:

Other Similar products are found below :

[1203259](#) [1893300](#) [1212619](#) [1927221](#) [1936102](#) [1730573](#) [3240366](#) [3240367](#) [1014246](#) [1014236](#) [1014240](#) [1014290](#) [1014293](#) [1806193](#)
[1823655](#) [1912825](#) [1842254](#) [1768260](#) [1716373](#) [1648030](#) [1579051](#) [1014235](#) [1014239](#) [1014229](#) [1212378](#) [2800744](#) [3006564](#) [2800741](#)
[5146480](#) [1623633](#) [1507793](#) [3025587](#) [3069708](#) [1431461](#) [1586976](#) [0311647](#) [1460160](#) [1771338](#) [3048387](#) [2814605](#) [0309086](#) [1513716](#)
[3035684](#) [5451417](#) [0202219](#) [1647747](#) [1730667](#) [1709267](#) [5449018](#) [0311634](#)