

# Panel feed-through - Q 1,5/4A50/24-M20KU-ESA-ASI BK - 1437274

Please be informed that the data shown in this PDF Document is generated from our Online Catalog. Please find the complete data in the user's documentation. Our General Terms of Use for Downloads are valid (<http://phoenixcontact.com/download>)




Panel feed-through with QUICKON fast connection technology, for accommodating one or two AS-i flat-ribbon conductors, on the rear side with four 0.5 m long individual wires 1.5 mm<sup>2</sup>

## Your advantages

- ✓ Robust throughout: housing with IP65/IP67 protection for a wide range of applications



## Key Commercial Data

Packing unit	1 pc
GTIN	 4 046356 456838
GTIN	4046356456838

## Technical data

### Dimensions

Length of cable	0.5 m
Stripping length of the sheath	40 mm

### Ambient conditions

Degree of protection	IP65
	IP67

### General

Rated current at 40°C	15 A
Rated voltage	500 V AC
	500 V DC
Number of positions	4
Coding	no
Overvoltage category	III
Degree of pollution	3
Connection method	QUICKON fast connection

# Panel feed-through - Q 1,5/4A50/24-M20KU-ESA-ASI BK - 1437274

## Technical data

### General

Mounting type	Front mounting M20
---------------	--------------------

### Material

Flammability rating according to UL 94	V0
Contact material	Copper alloy
Contact surface material	Pre-nickel plated and tin-plated
Contact carrier material	PA
Housing material	PA

### Characteristics head 2

Color	black
-------	-------

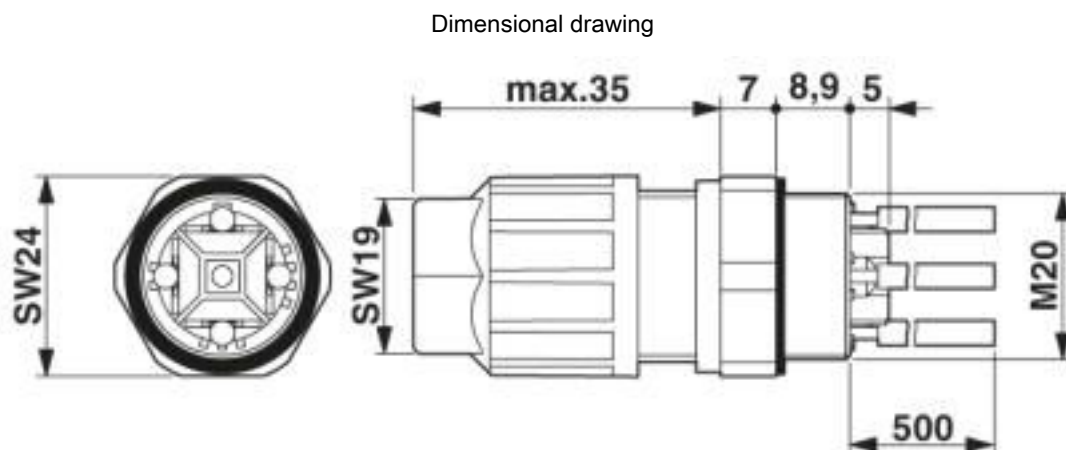
### Standards and Regulations

Connection in acc. with standard	CUL
Flammability rating according to UL 94	V0

### Environmental Product Compliance

China RoHS	Environmentally Friendly Use Period = 50 years
	For details about hazardous substances go to tab "Downloads", Category "Manufacturer's declaration"

## Drawings



## Classifications

### eCl@ss

eCl@ss 10.0.1	27440602
eCl@ss 4.0	27060700
eCl@ss 4.1	27060700
eCl@ss 5.0	27400200
eCl@ss 5.1	27400200

# Panel feed-through - Q 1,5/4A50/24-M20KU-ESA-ASI BK - 1437274

## Classifications

### eCl@ss

eCl@ss 6.0	27400200
eCl@ss 7.0	27440602
eCl@ss 8.0	27440602
eCl@ss 9.0	27440602

### ETIM

ETIM 3.0	EC000516
ETIM 4.0	EC000516
ETIM 5.0	EC002566
ETIM 6.0	EC002566
ETIM 7.0	EC002566

### UNSPSC

UNSPSC 6.01	31261501
UNSPSC 7.0901	31261501
UNSPSC 11	31261501
UNSPSC 12.01	31261501
UNSPSC 13.2	39121413
UNSPSC 18.0	39121522
UNSPSC 19.0	39121522
UNSPSC 20.0	39121522
UNSPSC 21.0	39121522

## Approvals


### Approvals

#### Approvals

UL Recognized / cUL Recognized / VDE Zeichengenehmigung / EAC / EAC / cULus Recognized

#### Ex Approvals

### Approval details

UL Recognized		<a href="http://database.ul.com/cgi-bin/XYV/template/LISEXT/1FRAME/index.htm">http://database.ul.com/cgi-bin/XYV/template/LISEXT/1FRAME/index.htm</a>	FILE E 118976
Nominal voltage UN	250 V		
Nominal current IN	15 A		

# Panel feed-through - Q 1,5/4A50/24-M20KU-ESA-ASI BK - 1437274

## Approvals

cUL Recognized		<a href="http://database.ul.com/cgi-bin/XYV/template/LISEXT/1FRAME/index.htm">http://database.ul.com/cgi-bin/XYV/template/LISEXT/1FRAME/index.htm</a>	FILE E 118976
Nominal voltage UN		250 V	
Nominal current IN		11 A	

VDE Zeichengenehmigung		<a href="http://www2.vde.com/de/Institut/Online-Service/VDE-gepruefteProdukte/Seiten/Online-Suche.aspx">http://www2.vde.com/de/Institut/Online-Service/VDE-gepruefteProdukte/Seiten/Online-Suche.aspx</a>	40032336
Nominal voltage UN		500 V	
mm <sup>2</sup> /AWG/kcmil		0.75-1.5	

EAC		EAC-Zulassung
-----	--	---------------

EAC		RU C- DE.BL08.B.00511
-----	--	--------------------------

cULus Recognized	
------------------	--

## Accessories

### Accessories

#### Electronics pliers

Diagonal cutter - MICROFOX-SB - 1212489



Electronic diagonal cutter, round head, without chamfer, with opening spring, mirror-polished and oiled, 2-component grip, cutting capacity: soft 0.2 - 2.0 mm; medium hard 1.2 mm; hard 0.5 mm diameter

## Mounting material

## Panel feed-through - Q 1,5/4A50/24-M20KU-ESA-ASI BK - 1437274

### Accessories

Nut - Q-MU M20 - 1640702



Nut (plastic) to lock the contact carrier from the inside of the device

---

### Socket spanner

Socket wrench - QSS 19 - 1670895



Socket wrench, for tightening and unscrewing the QUICKON union nut, wrench size 19 mm

---

### Stripping tool

Stripping tool - WIREFOX ASI - 1212154



Stripping pliers, for AS interface flat-ribbon cables, any desired stripping length

---

Phoenix Contact 2020 © - all rights reserved  
<http://www.phoenixcontact.com>

**PHOENIX CONTACT GmbH & Co. KG**  
Flachsmarktstr. 8  
32825 Blomberg  
Germany  
Tel. +49 5235 300  
Fax +49 5235 3 41200  
<http://www.phoenixcontact.com>

## X-ON Electronics

Largest Supplier of Electrical and Electronic Components

*Click to view similar products for [Circular Metric Connectors](#) category:*

*Click to view products by [Phoenix Contact](#) manufacturer:*

Other Similar products are found below :

[600X518037X](#) [6STD15PCR99B70A](#) [8R4000A16M020](#) [8R5000A16M005](#) [1200910002](#) [1203580030](#) [1200910008](#) [1200910011](#) [1300140094](#)  
[130203-0054](#) [1300140026](#) [1300150099](#) [RF-12S1N8A90DU](#) [1612618](#) [21036836414](#) [8R4006A16M010](#) [1604232](#) [1R3006A20M005](#) [RF-](#)  
[12P1N8A80DU](#) [RF-12P1N8A90DU](#) [41-40011](#) [42-00006](#) [42-01015](#) [4-22279-4](#) [4-22281-1](#) [4-22284-9](#) [43-00113](#) [43-01088](#) [43-01203](#) [41-](#)  
[40013](#) [42-00008](#) [43-00343](#) [43-01026](#) [43-01032](#) [43-01162](#) [43-01173](#) [43-10000](#) [XS3P-M421-2](#) [600X518050X](#) [SACC-DSI-FS-5P-PG9-L180](#)  
[SC](#) [8R5006A16M020](#) [8R5006A16M005](#) [8R4000A16M010](#) [6-22279-3](#) [1605332](#) [N03FA03144](#) [1300140077](#) [43-16213](#) [43-01338](#)  
[XS2RD4265](#)