

# Bus system flush-type socket - SACCBP-FSB-5CON-PG9/0,5-900SCO - 1437601

Please be informed that the data shown in this PDF Document is generated from our Online Catalog. Please find the complete data in the user's documentation. Our General Terms of Use for Downloads are valid (<http://phoenixcontact.com/download>)




Bus system flush-type female connector, INTERBUS, 5-pos., M12, shielded, B-coded, SPEEDCON, rear/screw mounting with Pg9 thread, with 0.5 m bus line

## Your advantages

- ✓ Pre-assembled with cables in various standard lengths for immediate use
- ✓ Customer-specific assemblies and cable lengths can be supplied
- ✓ Sealed on the cable side for optimum tightness of seal
- ✓ Cable designs for all common networks and fieldbuses
- ✓ For high transmission safety: shield connection to the housing with optional EMC nut



## Key Commercial Data

|              |   |
|--------------|---|
| Packing unit | 1 pc  |
| GTIN         | <br>4 046356 458344 |
| GTIN         | 4046356458344   |

## Technical data

### Dimensions

|                 |       |
|-----------------|-------|
| Length of cable | 0.5 m |
|-----------------|-------|

### Ambient conditions

|                                 |   |
|---------------------------------|---|
| Ambient temperature (operation) | -25 °C ... 85 °C (Plug / socket)                |
|                                 | -40 °C ... 85 °C (without mechanical actuation) |
| Degree of protection            | IP67 (When plugged in)                          |
|                                 | IP65 (When plugged in)                          |

### General

|      |   |
|------|---|
| Note | The electrical and mechanical data specified assume that the connector pair is correctly locked and mounted. If the connector is unlocked and if there is a danger of contamination, the connector must be sealed using |
|------|---|

# Bus system flush-type socket - SACCBP-FSB-5CON-PG9/0,5-900SCO - 1437601

## Technical data

### General

|                             |  |
|-----------------------------|--|
|                             | a protective cap > IP54. Influences arising from litz wires, cables or PCB assembly must also be taken into consideration. |
| Rated current at 40°C       | 4 A  |
| Rated voltage               | 48 V AC<br>60 V DC   |
| Rated surge voltage         | 1.5 kV   |
| Number of positions         | 5  |
| Insulation resistance       | ≥ 100 MΩ   |
| Coding                      | B - inverse  |
| Standards/regulations       | M12 connector IEC 61076-2-101  |
| Signal type/category        | INTERBUS, 16 Mbps  |
| Overvoltage category        | II   |
| Degree of pollution         | 3  |
| Insertion/withdrawal cycles | > 100  |
| Torque                      | 2 Nm ... 3 Nm (Installation-side)  |

### Material

|  |                     |
|--|---------------------|
| Flammability rating according to UL 94 | V0                  |
| Contact material                       | CuZn                |
| Contact surface material               | Ni/Au               |
| Contact carrier material               | PA 6.6              |
| Material, knurls                       | Nickel-plated brass |
| Sealing material                       | FKM                 |

### Standards and Regulations

|  |  |
|--|--|
| Standards/specifications               | M12 connector IEC 61076-2-101  |
| Flammability rating according to UL 94 | V0   |
| Safety note                            | WARNING: The connectors may not be plugged in or disconnected under load. Ignoring the warning or improper use may damage persons and/or property.   |
|  | <ul style="list-style-type: none"> <li>• WARNING: Commission properly functioning products only. The products must be regularly inspected for damage. Decommission defective products immediately. Replace damaged products. Repairs are not possible.</li> </ul>  |
|  | <ul style="list-style-type: none"> <li>• WARNING: Only electrically qualified personnel may install and operate the product. They must observe the following safety notes. The qualified personnel must be familiar with the basics of electrical engineering. They must be able to recognize and prevent danger. The relevant symbol on the packaging indicates that only personnel familiar with electrical engineering are allowed to install and operate the product.</li> </ul> |
|  | <ul style="list-style-type: none"> <li>• The products are suitable for applications in plant, controller, and electrical device engineering.</li> </ul>  |
|  | <ul style="list-style-type: none"> <li>• When operating the connectors in outdoor applications, they must be separately protected against environmental influences.</li> </ul>   |
|  | <ul style="list-style-type: none"> <li>• Assembled products may not be manipulated or improperly opened.</li> </ul>  |

## Bus system flush-type socket - SACCBP-FSB-5CON-PG9/0,5-900SCO - 1437601

### Technical data

#### Standards and Regulations

|  |  |
|--|--|
|  | <ul style="list-style-type: none"> <li>• Only use mating connectors that are specified in the technical data of the standards listed (e.g. the ones listed in the product accessories online at phoenixcontact.com/products).</li> </ul>   |
|  | <ul style="list-style-type: none"> <li>• When using the product in direct connection with third-party manufacturers, the user is responsible.</li> </ul>   |
|  | <ul style="list-style-type: none"> <li>• For operating voltages &gt; 50 V AC, conductive connector housings must be grounded</li> </ul>  |
|  | <ul style="list-style-type: none"> <li>• Ensure that when laying the cable, the tensile load on the connectors does not exceed the upper limit specified in the standards.</li> </ul>  |
|  | <ul style="list-style-type: none"> <li>• Observe the corresponding technical data. You will find information:                             <ul style="list-style-type: none"> <li>o On the product</li> <li>o On the packing label</li> <li>o In the supplied documentation</li> <li>o Online at phoenixcontact.com/products under the product</li> </ul> </li> </ul> |
|  | <ul style="list-style-type: none"> <li>• Only use tools recommended by Phoenix Contact</li> </ul>  |
|  | <ul style="list-style-type: none"> <li>• Use a protective cap to protect connectors that are not in use. The suitable accessories are available online in the accessory section of the product at phoenixcontact.com/products</li> </ul>   |
|  | <ul style="list-style-type: none"> <li>• Ensure that the protective or functional ground has been properly connected.</li> </ul>   |
|  | <ul style="list-style-type: none"> <li>• VDE 0100/1.97 § 411.1.3.2 and DIN EN 60 204/11.98 § 14.1.3 are applicable when combining several circuits in a cable and/or connector</li> </ul>  |
|  | <ul style="list-style-type: none"> <li>• The connector warms up in normal operation. Depending on the ambient conditions, the surface of the connector can continue to warm up. In this case, the user is responsible for posting warnings (e.g. DIN EN ISO 13732-1:2008-12).</li> </ul>   |

#### Cable

|   |                                      |
|---|--------------------------------------|
| Cable type                                    | INTERBUS                             |
| Cable type (abbreviation)                     | 900                                  |
| Signal type/category                          | INTERBUS                             |
| Cable structure                               | 3 x 2 x 0.22 mm <sup>2</sup>         |
| Conductor cross section                       | 3x 2x 0.22 mm <sup>2</sup>           |
| AWG signal line                               | 24                                   |
| Conductor structure signal line               | 32x 0.10 mm                          |
| Wire colors                                   | Green-yellow, white-brown, gray-pink |
| Twisted pairs                                 | 2 cores to the pair                  |
| Overall twist                                 | 3 pairs to the core                  |
| Shielding                                     | Braided copper wires                 |
| External sheath, color                        | may green RAL 6017                   |
| External cable diameter D                     | 8 mm                                 |
| Minimum bending radius, fixed installation    | 7.5 x D                              |
| Minimum bending radius, flexible installation | 15 x D                               |
| Number of bending cycles                      | 5000000                              |
| Bending radius                                | 120 mm                               |

# Bus system flush-type socket - SACCBP-FSB-5CON-PG9/0,5-900SCO - 1437601

## Technical data

### Cable

|                                       |   |
|---------------------------------------|---|
| Traversing path                       | 10 m  |
| Traversing rate                       | 1.6 m/s   |
| Acceleration                          | 3.2 m/s <sup>2</sup>                                |
| Cable weight                          | 70 kg/km  |
| Outer sheath, material                | PUR   |
| Material conductor insulation         | PE  |
| Conductor material                    | Bare Cu litz wires                                  |
| Insulation resistance                 | ≥ 5 GΩ*km   |
| Loop resistance                       | ≤ 159.80 Ω/km                                       |
| Cable capacity                        | ≤ 60 nF/km (At 800 Hz)                              |
| Wave impedance                        | 120 Ω ±20 % (at 64 kHz)                             |
|                                       | 100 Ω ±15 % (with 1 MHz)                            |
| Near end crosstalk attenuation (NEXT) | ≥ 61 dB (at 772 kHz)                                |
|                                       | ≥ 59 dB (with 1 MHz)                                |
|                                       | ≥ 55 dB (at 2 MHz)                                  |
|                                       | ≥ 50 dB (at 4 MHz)                                  |
|                                       | ≥ 46 dB (at 8 MHz)                                  |
|                                       | ≥ 44 dB (at 10 MHz)                                 |
|                                       | ≥ 41 dB (at 16 MHz)                                 |
|                                       | ≥ 40 dB (at 20 MHz)                                 |
| Attenuation                           | ≤ 15 dB/km (at 256 kHz)                             |
|                                       | ≤ 24 dB/km (at 772 kHz)                             |
|                                       | ≤ 27 dB/km (with 1 MHz)                             |
|                                       | ≤ 52 dB/km (at 4 MHz)                               |
|                                       | ≤ 84 dB/km (at 10 MHz)                              |
|                                       | ≤ 112 dB/km (at 16 MHz)                             |
|                                       | ≤ 119 dB/km (at 20 MHz)                             |
| Signal speed                          | 0.66 c  |
| Coupling resistance                   | < 250.00 mΩ/m (at 30 MHz)                           |
| Nominal voltage, cable                | 250 V (Peak value, not for high-power applications) |
| Test voltage Core/Core                | 1500 V <sub>rms</sub>                               |
| Test voltage Core/Shield              | 1000 V <sub>rms</sub>                               |
| Flame resistance                      | according to VDE 0472, Part 4, test type B          |
|                                       | according to IEC 60332-1                            |
| Ambient temperature (operation)       | -40 °C ... 80 °C (cable, fixed installation)        |
|                                       | -30 °C ... 70 °C (cable, flexible installation)     |

### Environmental Product Compliance

|            |  |
|------------|--|
| REACH SVHC | Lead 7439-92-1                                 |
| China RoHS | Environmentally Friendly Use Period = 50 years |

# Bus system flush-type socket - SACCBP-FSB-5CON-PG9/0,5-900SCO - 1437601

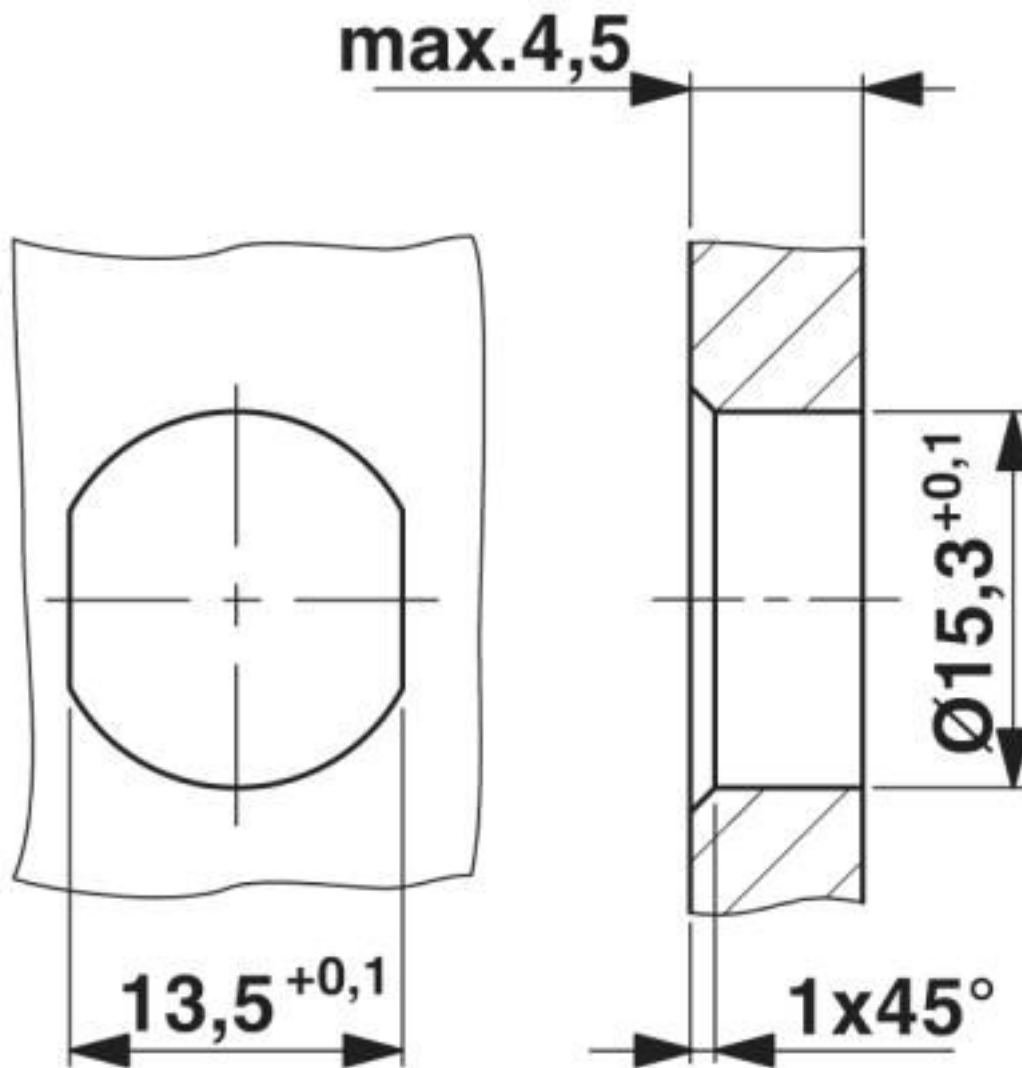
## Technical data

### Environmental Product Compliance

|  |   |
|--|---|
|  | For details about hazardous substances go to tab "Downloads", Category "Manufacturer's declaration" |
|--|---|

## Drawings

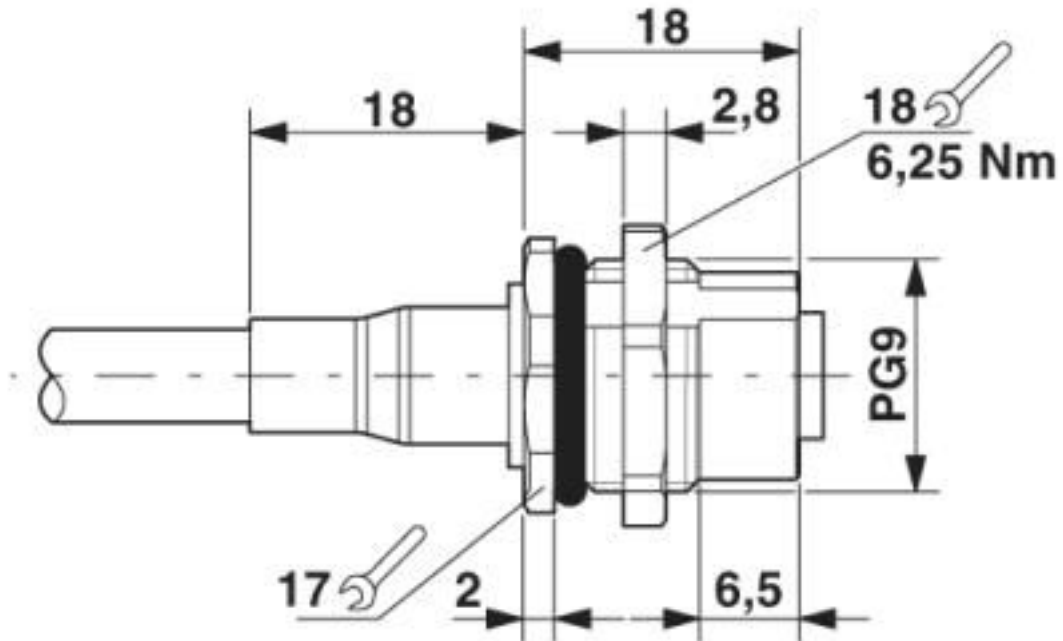
Dimensional drawing



Housing cutout for Pg9 fastening thread, mounting panel with feed-through hole (alternatively with surface as protection against rotation)

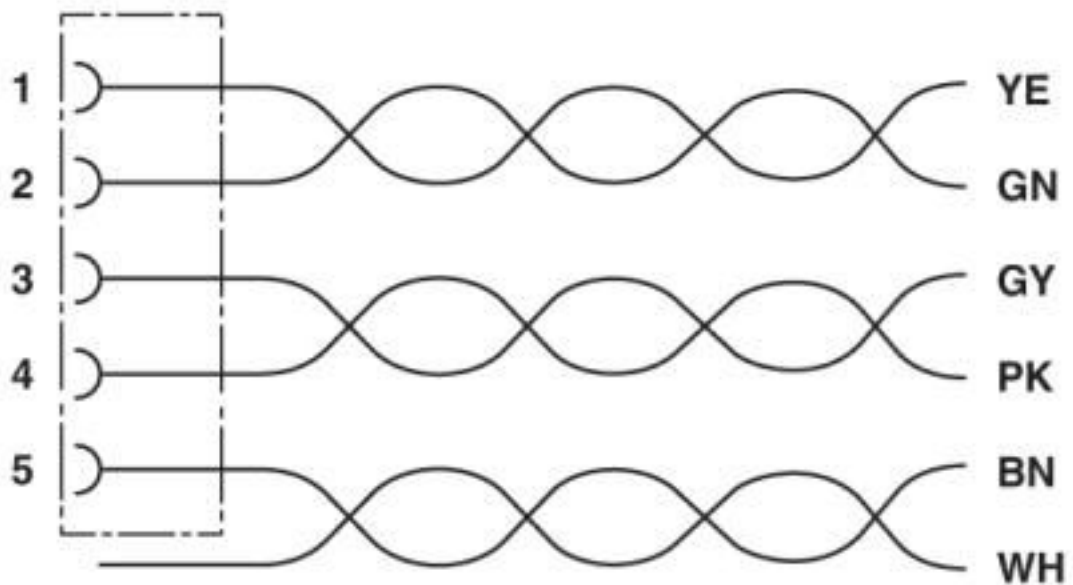
# Bus system flush-type socket - SACCBP-FSB-5CON-PG9/0,5-900SCO - 1437601

Dimensional drawing



M12 panel feed-through

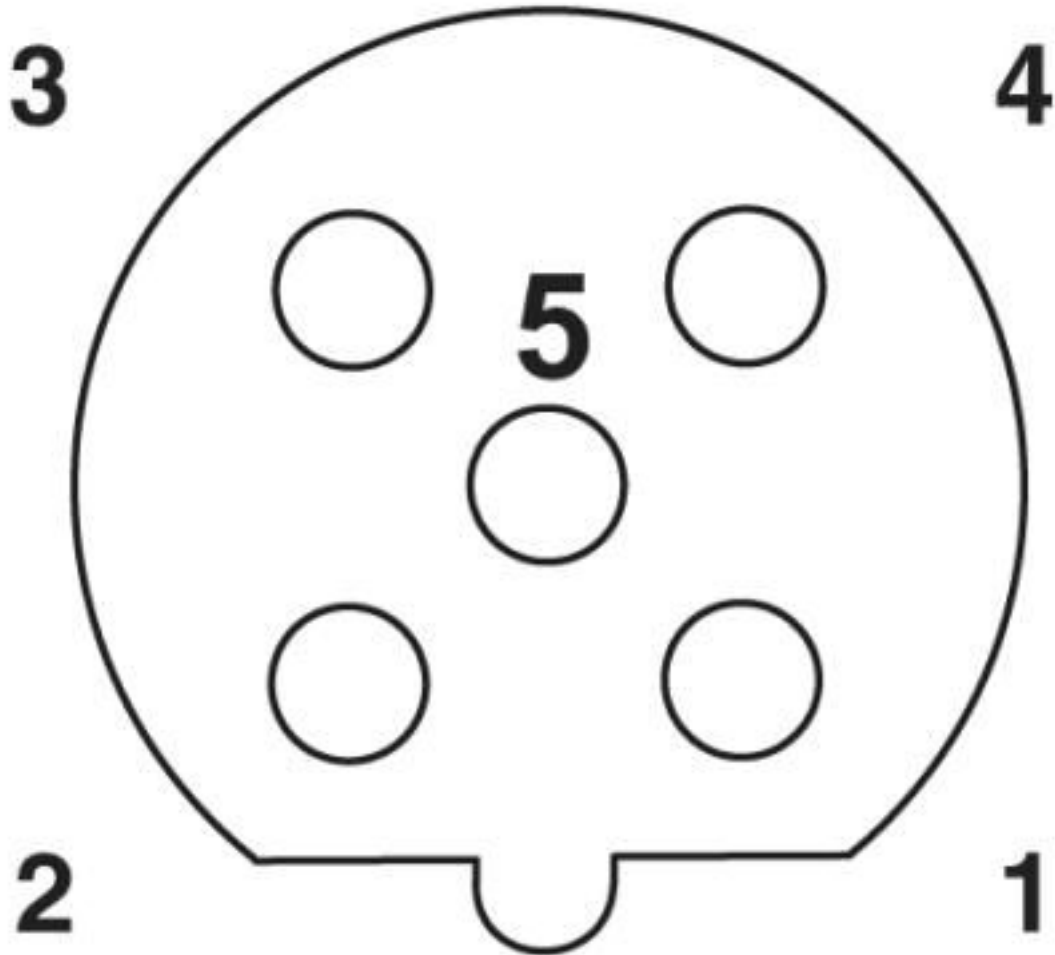
Circuit diagram



Contact assignment of the M12 socket

# Bus system flush-type socket - SACCBP-FSB-5CON-PG9/0,5-900SCO - 1437601

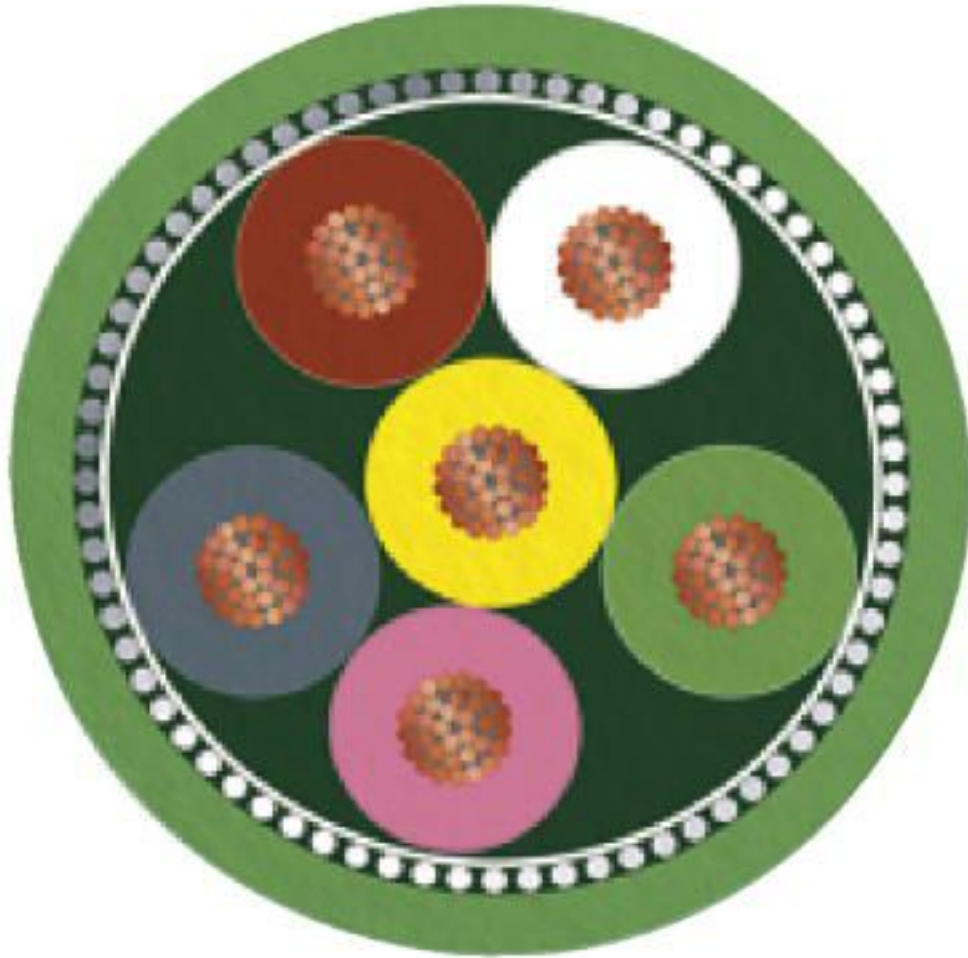
Schematic diagram



Pin assignment M12 socket, 5-pos., B-coded, female side

# Bus system flush-type socket - SACCBP-FSB-5CON-PG9/0,5-900SCO - 1437601

Cable cross section



INTERBUS [900]

## Classifications

eCl@ss

|               |          |
|---------------|----------|
| eCl@ss 10.0.1 | 27440102 |
| eCl@ss 4.0    | 27140800 |
| eCl@ss 4.1    | 27140800 |
| eCl@ss 5.0    | 27143400 |
| eCl@ss 5.1    | 27143400 |
| eCl@ss 6.0    | 27279200 |
| eCl@ss 7.0    | 27440103 |
| eCl@ss 8.0    | 27440103 |
| eCl@ss 9.0    | 27440102 |



# Bus system flush-type socket - SACCBP-FSB-5CON-PG9/0,5-900SCO - 1437601

## Classifications

### ETIM

|          |          |
|----------|----------|
| ETIM 3.0 | EC002061 |
| ETIM 4.0 | EC000830 |
| ETIM 5.0 | EC002061 |
| ETIM 6.0 | EC002061 |

### UNSPSC

|               |          |
|---------------|----------|
| UNSPSC 6.01   | 31251501 |
| UNSPSC 7.0901 | 31251501 |
| UNSPSC 11     | 31251501 |
| UNSPSC 12.01  | 31251501 |
| UNSPSC 13.2   | 39121413 |
| UNSPSC 18.0   | 39121413 |
| UNSPSC 19.0   | 39121413 |
| UNSPSC 20.0   | 39121413 |
| UNSPSC 21.0   | 39121413 |

## Approvals

### Approvals

---

Approvals

EAC

---

Ex Approvals

---

### Approval details

|     |  |         |
|-----|--|---------|
| EAC |  | B.01687 |
|-----|--|---------|

## Accessories

Accessories

EMC nut

## Bus system flush-type socket - SACCBP-FSB-5CON- PG9/0,5-900SCO - 1437601

### Accessories

EMV nut - SACC-PG9-KD-NUT-SH - 1440177



---

Phoenix Contact 2020 © - all rights reserved  
<http://www.phoenixcontact.com>

PHOENIX CONTACT GmbH & Co. KG  
Flachsmarktstr. 8  
32825 Blomberg  
Germany  
Tel. +49 5235 300  
Fax +49 5235 3 41200  
<http://www.phoenixcontact.com>

## X-ON Electronics

Largest Supplier of Electrical and Electronic Components

*Click to view similar products for [Sensor Cables / Actuator Cables](#) category:*

*Click to view products by [Phoenix Contact](#) manufacturer:*

Other Similar products are found below :

[60963](#) [60964](#) [703000D02F2002](#) [703001D02F0602](#) [703001D02F300](#) [704000D02F120](#) [773032K02F030](#) [802027107404-1](#) [802027213811-1](#)  
[804001A09M150](#) [805001A09M0502](#) [84914-0235](#) [84914-0237](#) [885030A09M020](#) [8R4J30E03C3003](#) [1200651332](#) [1200651713](#) [1200660844](#)  
[1200660845](#) [1200661173](#) [1200680071](#) [1200720053](#) [1200720081](#) [1200720099](#) [1200720217](#) [1200800231](#) [1200860125](#) [1200870123](#)  
[1200980102](#) [1200650267](#) [1200650298](#) [1200660183](#) [1200660782](#) [1200660849](#) [1200661295](#) [1200661297](#) [1200661342](#) [1200661343](#)  
[1200670080](#) [1200670220](#) [1200680331](#) [1200720252](#) [1200730184](#) [1200860344](#) [1200870359](#) [1200870643](#) [1200980008](#) [1200980031](#)  
[1210502211](#) [1210400542](#)