

Flush-type connector - SACC-CI-M12MS-4CON-L90 SH SCO - 1439887

Please be informed that the data shown in this PDF Document is generated from our Online Catalog. Please find the complete data in the user's documentation. Our General Terms of Use for Downloads are valid (<http://phoenixcontact.com/download>)




Sensor/actuator flush-type connector, plug, 4-pos., A-coded, shielded, with angled solder connection, only contact insert

Your advantages

- ✓ Reduced mounting costs thanks to two-piece device connector
- ✓ All common pin assignments and codings available
- ✓ Easy device integration thanks to mechanical port screw connections with threaded attachment, press-in contour or direct integration in the front plate
- ✓ Additional gasket for the device when not plugged in



Key Commercial Data

| | |
|--------------|---|
| Packing unit | 20 pc |
| GTIN |  4 046356 476614 |
| GTIN | 4046356476614 |

Technical data

Ambient conditions

| | |
|---------------------------------|---|
| Ambient temperature (operation) | -25 °C ... 85 °C (Plug / socket) |
| | -40 °C ... 85 °C (without mechanical actuation) |
| Degree of protection | IP67 |

General

| | |
|-----------------------|--|
| Note | The electrical and mechanical data specified assume that the connector pair is correctly locked and mounted. If the connector is unlocked and if there is a danger of contamination, the connector must be sealed using a protective cap > IP54. Influences arising from litz wires, cables or PCB assembly must also be taken into consideration. |
| Rated current at 40°C | 4 A |
| Rated voltage | 250 V |
| Rated surge voltage | 2.5 kV |
| Number of positions | 4 |

Flush-type connector - SACC-CI-M12MS-4CON-L90 SH SCO - 1439887

Technical data

General

| | |
|-----------------------------|-----------------------------------|
| Insulation resistance | ≥ 100 MΩ |
| Coding | A - standard |
| Standards/regulations | M12 connector IEC 61076-2-101 |
| Status display | No |
| Overvoltage category | II |
| Degree of pollution | 3 |
| Connection method | Solder pins |
| Insertion/withdrawal cycles | > 100 |
| Torque | 3 Nm ... 4 Nm (Installation-side) |
| Mounting type | PCB mounting |

Material

| | |
|--|------------|
| Flammability rating according to UL 94 | V0 |
| Contact material | CuZn |
| Contact surface material | Au |
| Contact carrier material | PA 6.6 |
| Sealing material | FKM / EPDM |

Cable

| | |
|---------------------------------|---|
| Standards/specifications | M12 connector IEC 61076-2-101 |
| Ambient temperature (operation) | -40 °C ... 85 °C (cable, fixed installation) |
| | -25 °C ... 85 °C (cable, flexible installation) |

Standards and Regulations

| | |
|--|-------------------------------|
| Standards/specifications | M12 connector IEC 61076-2-101 |
| Flammability rating according to UL 94 | V0 |

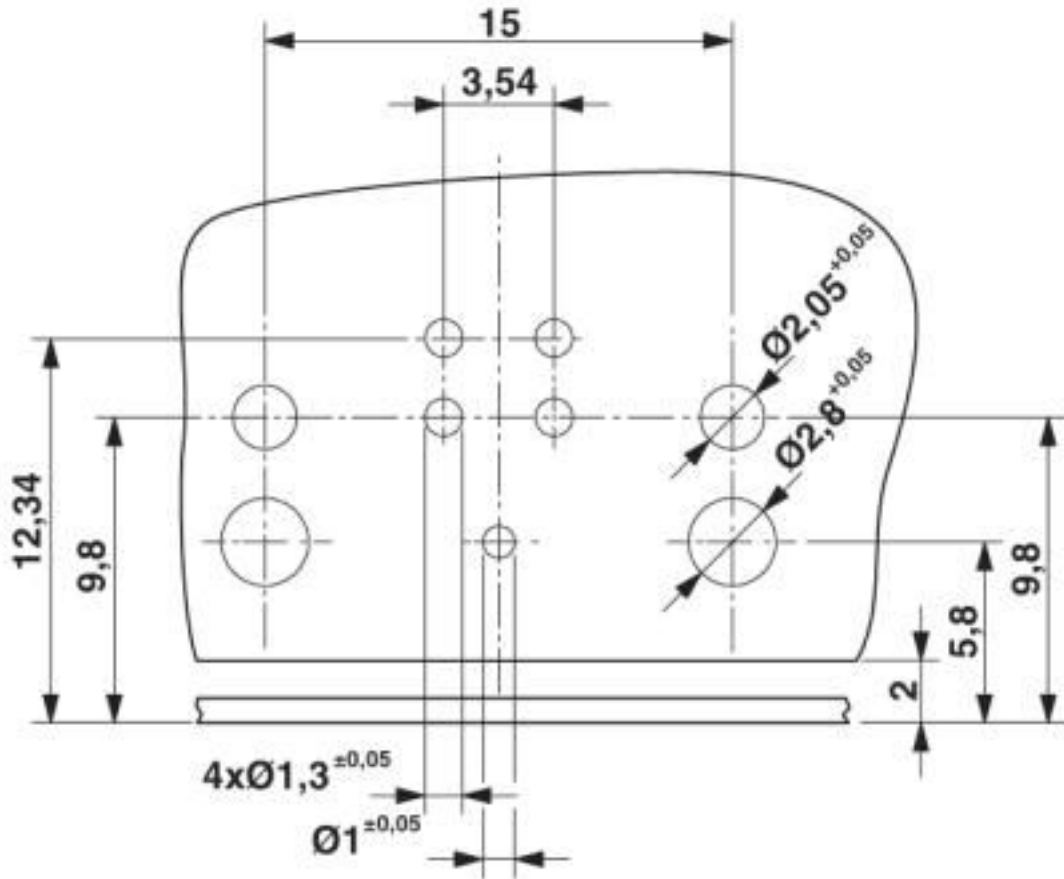
Environmental Product Compliance

| | |
|------------|---|
| REACH SVHC | Lead 7439-92-1 |
| China RoHS | Environmentally Friendly Use Period = 50 years |
| | For details about hazardous substances go to tab "Downloads", Category "Manufacturer's declaration" |

Drawings

Flush-type connector - SACC-CI-M12MS-4CON-L90 SH SCO - 1439887

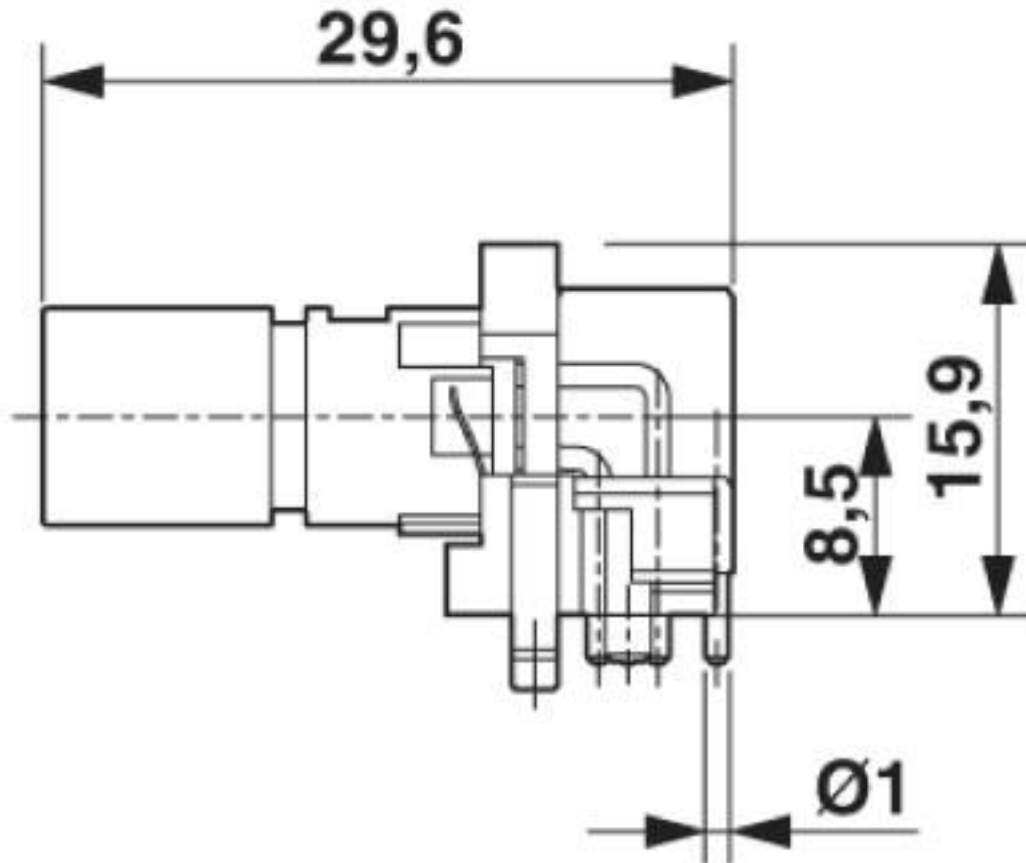
Drilling diagram



Drilling diagram only valid in connection with the SACC-M12-SCO PLUG L90 housing (order no. 1436709)

Flush-type connector - SACC-CI-M12MS-4CON-L90 SH SCO - 1439887

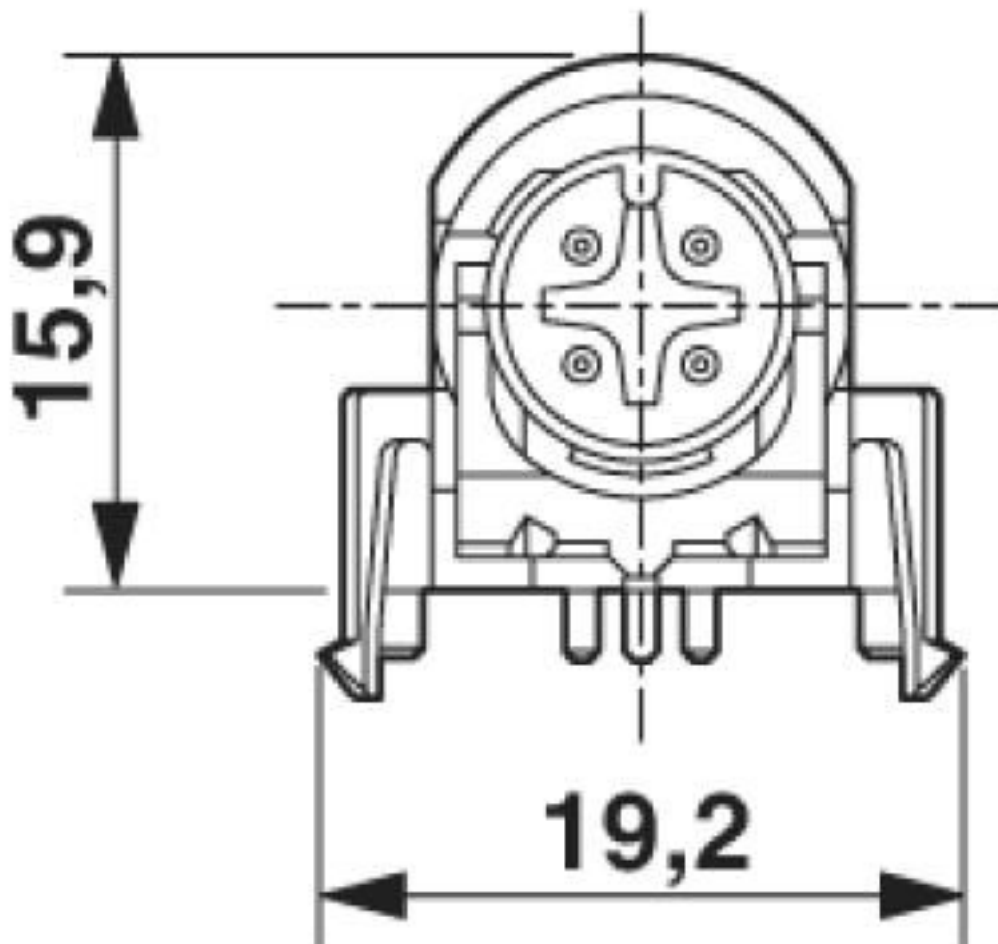
Dimensional drawing



M12 flush-type connector, plug, contact carrier, side view

Flush-type connector - SACC-CI-M12MS-4CON-L90 SH SCO - 1439887

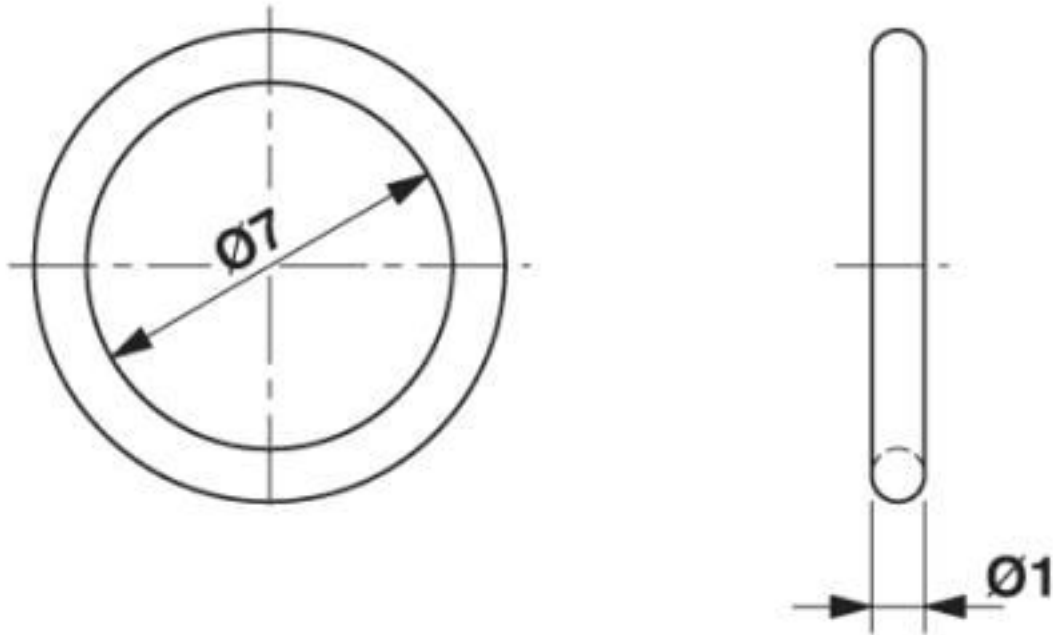
Dimensional drawing



M12 flush-type connector, plug, contact carrier, front view

Flush-type connector - SACC-CI-M12MS-4CON-L90 SH SCO - 1439887

Dimensional drawing

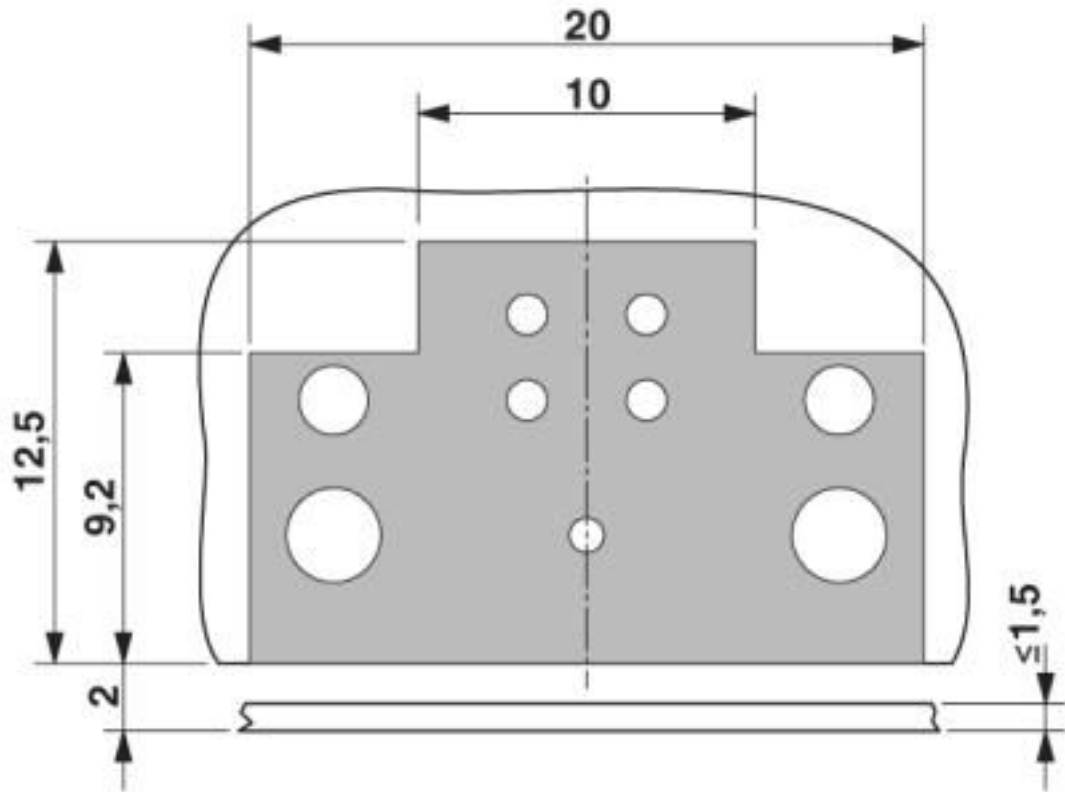


Optionally with O-ring (green) for tight seal when plugged in.

- the axial mating force of 80 N per connector may not be exceeded when using with assembled O-ring!
- Avoid radial forces!

Flush-type connector - SACC-CI-M12MS-4CON-L90 SH SCO - 1439887

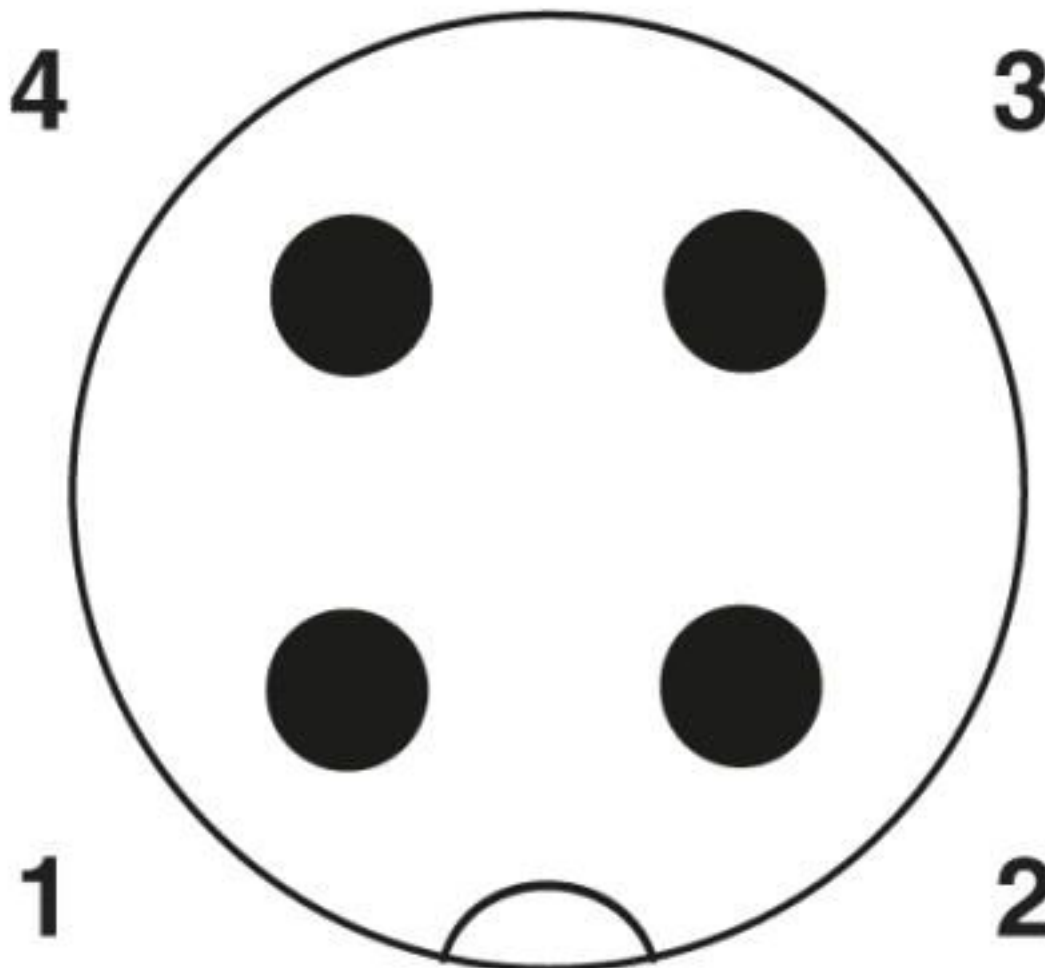
Dimensional drawing



Locked area on the PCB

Flush-type connector - SACC-CI-M12MS-4CON-L90 SH SCO - 1439887

Schematic diagram



Pin assignment M12 plug, 4-pos., A-coded, view plug side

Classifications

eCl@ss

| | |
|---------------|----------|
| eCl@ss 10.0.1 | 27440102 |
| eCl@ss 4.0 | 27260700 |
| eCl@ss 4.1 | 27260700 |
| eCl@ss 5.0 | 27260700 |
| eCl@ss 5.1 | 27260700 |
| eCl@ss 6.0 | 27279200 |
| eCl@ss 7.0 | 27440103 |
| eCl@ss 8.0 | 27440103 |
| eCl@ss 9.0 | 27440102 |

Flush-type connector - SACC-CI-M12MS-4CON-L90 SH SCO - 1439887

Classifications

ETIM

| | |
|----------|----------|
| ETIM 3.0 | EC002061 |
| ETIM 4.0 | EC002061 |
| ETIM 5.0 | EC002061 |
| ETIM 6.0 | EC002061 |

UNSPSC

| | |
|---------------|----------|
| UNSPSC 6.01 | 31251501 |
| UNSPSC 7.0901 | 31251501 |
| UNSPSC 11 | 31251501 |
| UNSPSC 12.01 | 31251501 |
| UNSPSC 13.2 | 39121413 |
| UNSPSC 18.0 | 39121413 |
| UNSPSC 19.0 | 39121413 |
| UNSPSC 20.0 | 39121413 |
| UNSPSC 21.0 | 39121413 |

Approvals


Approvals

Approvals

EAC / UL Recognized / UL Recognized / cUL Recognized

Ex Approvals

Approval details

| | | |
|-----|---|---------|
| EAC |  | B.01687 |
|-----|---|---------|

| | | | |
|---------------|---|---|---------------|
| UL Recognized |  | http://database.ul.com/cgi-bin/XYV/template/LISEXT/1FRAME/index.htm | FILE E 118976 |
|---------------|---|---|---------------|

| | | | |
|---------------|---|---|---------------|
| UL Recognized |  | http://database.ul.com/cgi-bin/XYV/template/LISEXT/1FRAME/index.htm | FILE E 118976 |
|---------------|---|---|---------------|

| | |
|--------------------|-------|
| Nominal voltage UN | 250 V |
|--------------------|-------|

Flush-type connector - SACC-CI-M12MS-4CON-L90 SH SCO - 1439887

Approvals

| | |
|--------------------------------|-----|
| Nominal current I _N | 4 A |
| mm ² /AWG/kcmil | 22 |

| | | | |
|--------------------------------|-------|---|---------------|
| cUL Recognized | | http://database.ul.com/cgi-bin/XYV/template/LISEXT/1FRAME/index.htm | FILE E 118976 |
| Nominal voltage U _N | 250 V | | |
| Nominal current I _N | 4 A | | |
| mm ² /AWG/kcmil | 22 | | |

Accessories

Accessories

Panel mounting base

Housing screw connection - SACC-M12-SCO PLUG - 1551493



M12 SPEEDCON housing screw connection for M12 male inserts, with O-ring, for all SPEEDCON-capable THR and wave soldering contact carriers

Housing screw connection - SACC-DSIV-M12-PLUG - 1416145



Housing screw connection with M12 standard thread, with O-ring, for the two-piece straight M12 THR contact carrier and for the two-piece angled M12 contact carrier

Housing screw connection - SACC-M12-SCO PLUG L90 - 1436709



M12-SPEEDCON housing screw connection for M12 male inserts, with flat gasket, for all Speedcon-compatible THR and wave soldering contact carriers

Flush-type connector - SACC-CI-M12MS-4CON-L90 SH SCO - 1439887

Accessories

Housing screw connection - SACC-BP-M-M12/M15-6-THR - 1413997



Housing screw connection, Plug, M12, Rear mounting, M15 x 1

Housing screw connection - SACC-BP-M-M12/M15-7-THR - 1413996



Housing screw connection, Plug, M12, Rear mounting, M15 x 1

Housing screw connection - SACC-BP-M-M12/M15-6-THR SCO - 1413999



M12 SPEEDCON housing screw connection for M12 male inserts, with O-ring, for all SPEEDCON-capable THR and wave soldering contact carriers

Housing screw connection - SACC-BP-M-M12/M15-7-THR SCO - 1413998



Housing screw connection, Plug, M12-SPEEDCON, Rear mounting, M15 x 1

Housing screw connection - SACC-M12 PLUG PRESS - 1437892



M12 pin, housing screw connection, press-in version, for all Speedcon-compatible THR and wave soldering contact carriers

Flush-type connector - SACC-CI-M12MS-4CON-L90 SH SCO - 1439887

Accessories

Housing screw connection - SACC-DSIV-M12-PLUG-9 THR - 1417984



M12 pin, front mounting THR with M14 screw fastening

Housing screw connection - SACC-BP-M-M12-THR PP - 1027661



Housing screw connection, Plug, M12-Push-Pull, Rear mounting, THR- und Wellenlötkontakte

Housing screw connection - SACC-FP-M-M12-THR PP - 1027679



Housing screw connection, Plug, M12-Push-Pull, Front mounting, THR- und Wellenlötkontakte

Protective cap

Sealing cap - PROT-M12 FS - 1560251



M12 sealing cap for unoccupied M12 plugs of the sensor/actuator cable, flush-type plugs and I/O devices in the field

Sealing cap - PROT-M12 FS-M - 1430488



M12 metal sealing cap for unoccupied M12 plugs of the sensor/actuator cable, flush-type plugs and I/O devices in the field

Phoenix Contact 2020 © - all rights reserved
<http://www.phoenixcontact.com>

PHOENIX CONTACT GmbH & Co. KG
Flachmarktstr. 8
32825 Blomberg
Germany
Tel. +49 5235 300
Fax +49 5235 3 41200
<http://www.phoenixcontact.com>

X-ON Electronics

Largest Supplier of Electrical and Electronic Components

Click to view similar products for [Circular Metric Connectors](#) category:

Click to view products by [Phoenix Contact](#) manufacturer:

Other Similar products are found below :

[600X518037X](#) [6STD15PCR99B70A](#) [8R4000A16M020](#) [8R5000A16M005](#) [1200910002](#) [1203580030](#) [1200910008](#) [1200910011](#) [1300140094](#)
[130203-0054](#) [1300140026](#) [1300150099](#) [RF-12S1N8A90DU](#) [1-3637-600-5205](#) [1612618](#) [21036836414](#) [8R4006A16M010](#) [1604232](#)
[1R3006A20M005](#) [RF-12P1N8A90DU](#) [41-40011](#) [42-00006](#) [42-01015](#) [4-22279-4](#) [4-22281-1](#) [4-22284-9](#) [43-00113](#) [43-01088](#) [43-01203](#) [41-](#)
[40013](#) [42-00008](#) [43-00343](#) [43-01026](#) [43-01162](#) [43-01173](#) [43-10000](#) [XS3P-M421-2](#) [600X518050X](#) [SACC-DSI-FS-5P-PG9-L180 SC](#)
[8R5006A16M020](#) [8R5006A16M005](#) [8R4000A16M010](#) [6-22279-3](#) [1605332](#) [N03FA03144](#) [1300140077](#) [43-16213](#) [43-01338](#) [XS2RD4265](#)
[XS2R-D426-1](#)