

# Flush-type connector - SACC-EC-FS-5CON-M16/2,0 SCO - 1446375


Please be informed that the data shown in this PDF Document is generated from our Online Catalog. Please find the complete data in the user's documentation. Our General Terms of Use for Downloads are valid (<http://phoenixcontact.com/download>)



Sensor/actuator flush-type socket, 5-pos., M12 SPEEDCON, A-coded, front/screw mounting with M16 thread, can be positioned, with 2.0 m TPE litz wire, 5 x 0.34 mm<sup>2</sup>



## Key Commercial Data

|                        |   |
|------------------------|---|
| Packing unit           | 1 pc  |
| Minimum order quantity | 50 pc   |
| GTIN                   | <br>4 046356 628471 |
| GTIN                   | 4046356628471   |

## Technical data

### Dimensions

|                 |     |
|-----------------|-----|
| Length of cable | 2 m |
|-----------------|-----|

### Ambient conditions

|                      |      |
|----------------------|------|
| Degree of protection | IP67 |
|----------------------|------|

### General

|                       |                               |
|-----------------------|-------------------------------|
| Rated current at 40°C | 4 A                           |
| Rated voltage         | 60 V                          |
| Number of positions   | 5                             |
| Insulation resistance | ≥ 100 MΩ                      |
| Coding                | A - standard                  |
| Standards/regulations | M12 connector IEC 61076-2-101 |
| Status display        | No                            |
| Overvoltage category  | II                            |
| Degree of pollution   | 3                             |

### Material

|  |    |
|--|----|
| Flammability rating according to UL 94 | V0 |
|--|----|

# Flush-type connector - SACC-EC-FS-5CON-M16/2,0 SCO - 1446375

## Technical data

### Material

|                          |                              |
|--------------------------|------------------------------|
| Contact material         | CuZn                         |
| Contact surface material | Au                           |
| Contact carrier material | PA 6.6                       |
| Material, knurls         | Zinc die-cast, nickel-plated |
| Sealing material         | NBR                          |

### Cable

|                                    |                                 |
|------------------------------------|---------------------------------|
| Cable type                         | TPE litz wire                   |
| Conductor cross section            | 0.34 mm <sup>2</sup>            |
| AWG signal line                    | 22                              |
| Conductor structure signal line    | 7x 0.25 mm                      |
| Core diameter including insulation | 1.2 mm ±0.07 mm                 |
| Thickness, insulation              | 0.21 mm                         |
| Wire colors                        | Black, brown, blue, white, gray |
| Material conductor insulation      | TPE                             |
| Conductor material                 | Tin-plated Cu litz wires        |
| Standards/specifications           | M12 connector IEC 61076-2-101   |
| Insulation resistance              | ≥ 20 MΩ*km                      |
| Conductor resistance               | ≤ 57.6 mΩ/m                     |
| Nominal voltage, cable             | 300 V                           |
| Test voltage, cable                | 2000 V AC                       |

### Standards and Regulations

|  |                               |
|--|-------------------------------|
| Standards/specifications               | M12 connector IEC 61076-2-101 |
| Flammability rating according to UL 94 | V0                            |

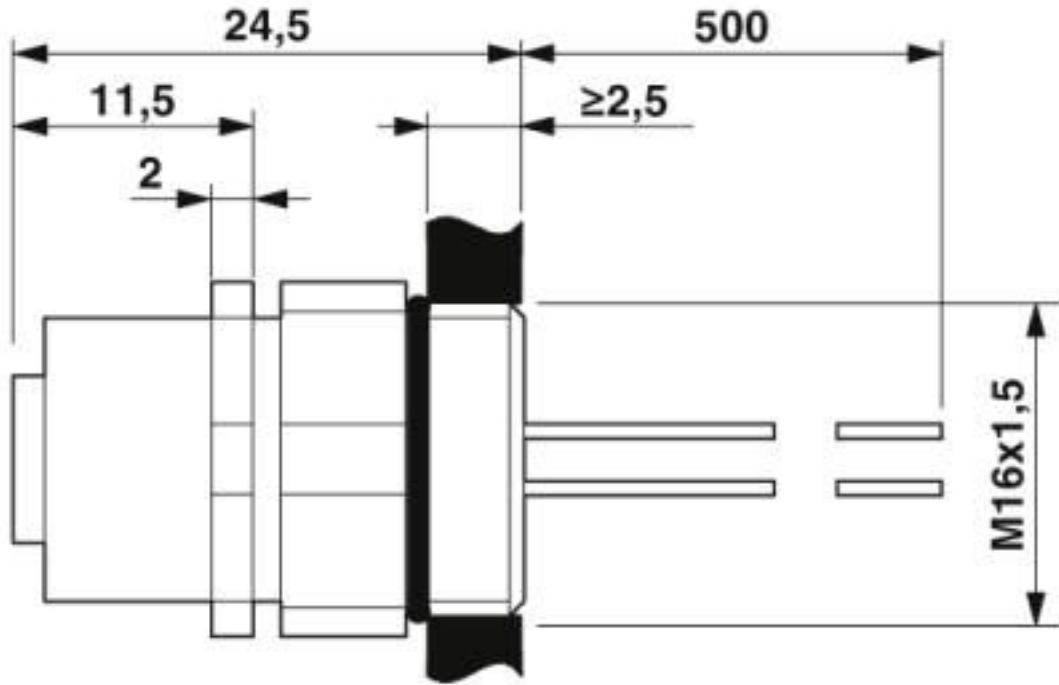
### Environmental Product Compliance

|            |   |
|------------|---|
| REACH SVHC | Lead 7439-92-1  |
| China RoHS | Environmentally Friendly Use Period = 50 years  |
|            | For details about hazardous substances go to tab "Downloads", Category "Manufacturer's declaration" |

## Drawings

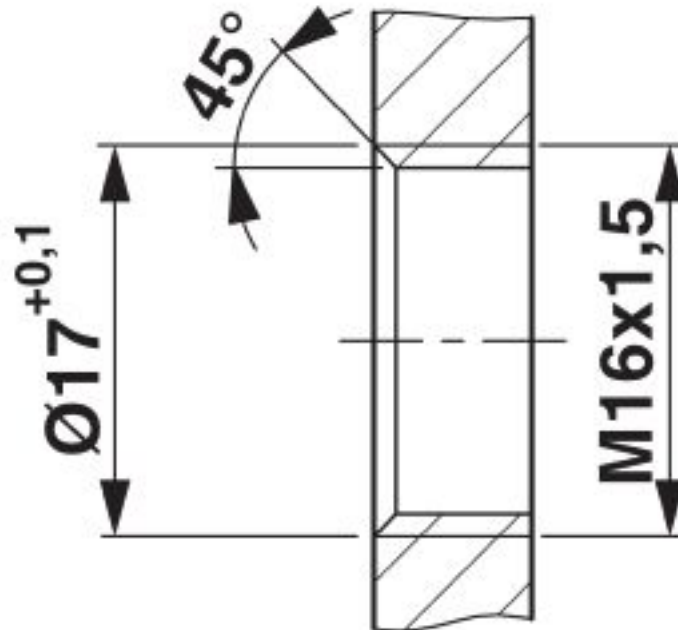
# Flush-type connector - SACC-EC-FS-5CON-M16/2,0 SCO - 1446375

Dimensional drawing



M12 flush-type plug, can be positioned

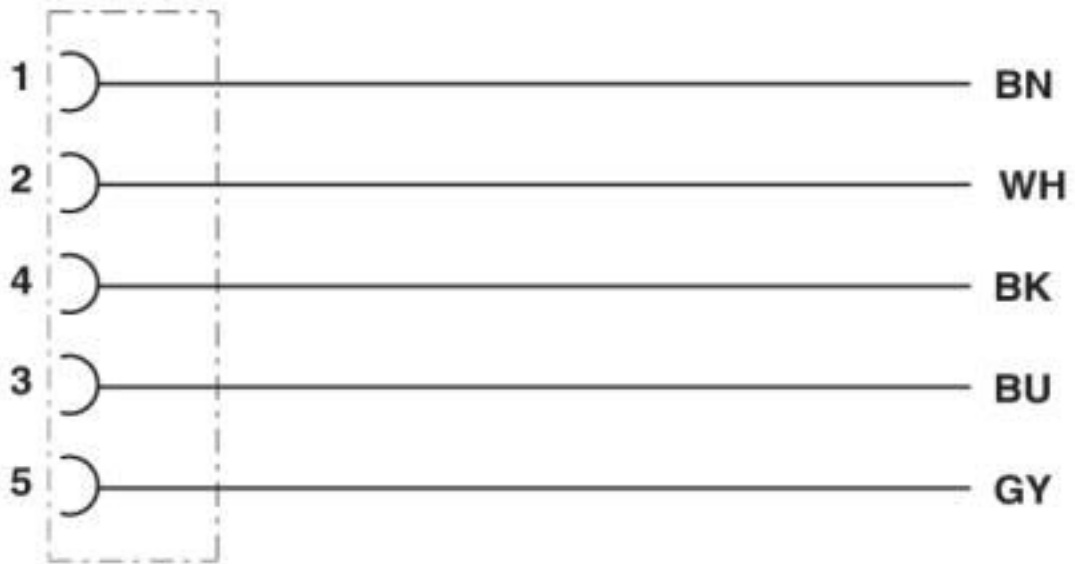
Dimensional drawing



Housing cutout for M16 fastening thread, mounting panel with thread

# Flush-type connector - SACC-EC-FS-5CON-M16/2,0 SCO - 1446375

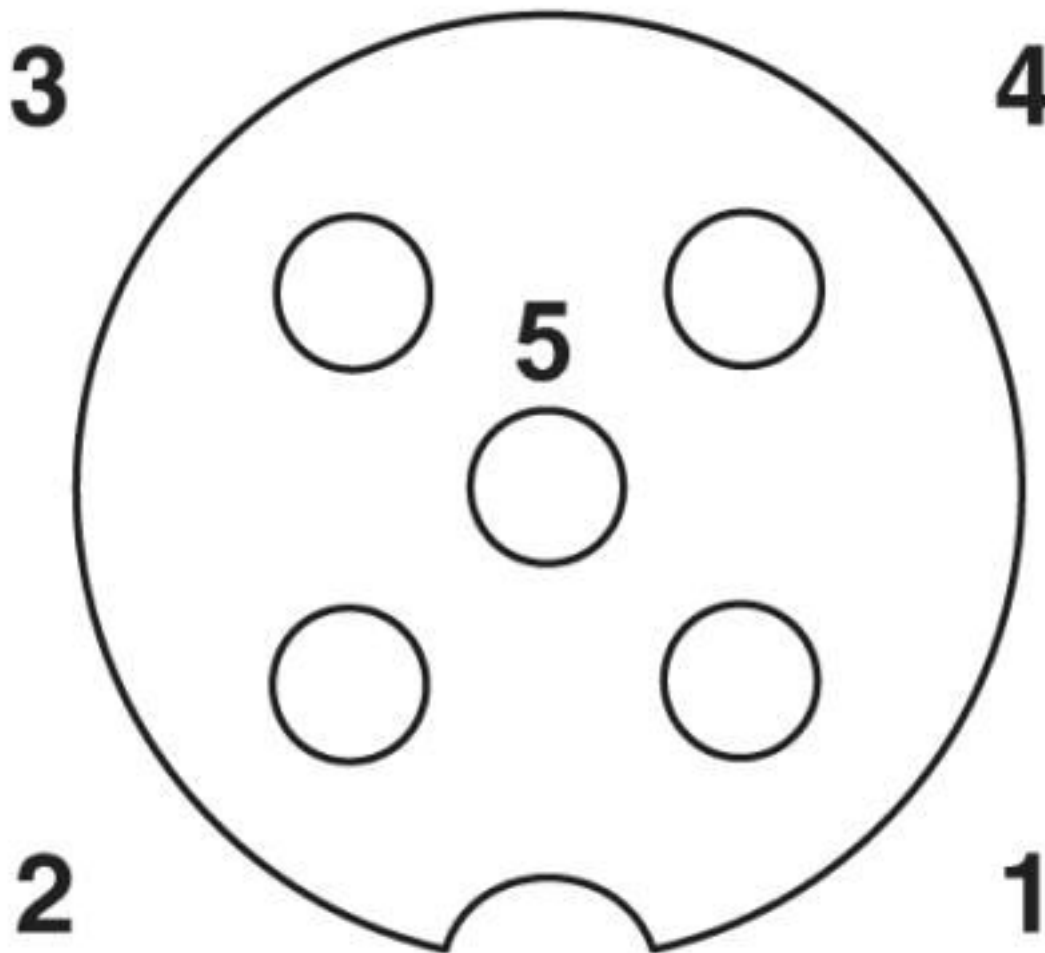
Circuit diagram



Contact assignment of the M12 plug and the M12 socket

# Flush-type connector - SACC-EC-FS-5CON-M16/2,0 SCO - 1446375

Schematic diagram



Pin assignment M12 socket, 5-pos., A-coded, socket side view

## Classifications

eCl@ss

|               |          |
|---------------|----------|
| eCl@ss 10.0.1 | 27440102 |
| eCl@ss 4.0    | 27260700 |
| eCl@ss 4.1    | 27260700 |
| eCl@ss 5.0    | 27260700 |
| eCl@ss 5.1    | 27260700 |
| eCl@ss 6.0    | 27279200 |
| eCl@ss 7.0    | 27440103 |
| eCl@ss 8.0    | 27440103 |
| eCl@ss 9.0    | 27440102 |

# Flush-type connector - SACC-EC-FS-5CON-M16/2,0 SCO - 1446375

## Classifications

### ETIM

|          |          |
|----------|----------|
| ETIM 4.0 | EC002061 |
| ETIM 5.0 | EC002061 |
| ETIM 6.0 | EC002061 |

### UNSPSC

|               |          |
|---------------|----------|
| UNSPSC 6.01   | 31251501 |
| UNSPSC 7.0901 | 31251501 |
| UNSPSC 11     | 31251501 |
| UNSPSC 12.01  | 31251501 |
| UNSPSC 13.2   | 39121413 |
| UNSPSC 18.0   | 39121413 |
| UNSPSC 19.0   | 39121413 |
| UNSPSC 20.0   | 39121413 |
| UNSPSC 21.0   | 39121413 |

## Approvals

### Approvals

#### Approvals

UL Recognized / EAC

#### Ex Approvals

### Approval details

|                            |      |   |               |
|----------------------------|------|---|---------------|
| UL Recognized              |      | <a href="http://database.ul.com/cgi-bin/XYV/template/LISEXT/1FRAME/index.htm">http://database.ul.com/cgi-bin/XYV/template/LISEXT/1FRAME/index.htm</a> | FILE E 118976 |
| Nominal voltage UN         | 60 V |   |               |
| Nominal current IN         | 4 A  |   |               |
| mm <sup>2</sup> /AWG/kcmil | 22   |   |               |

|     |  |         |
|-----|--|---------|
| EAC |  | B.01687 |
|-----|--|---------|

## Accessories

### Accessories

## Flush-type connector - SACC-EC-FS-5CON-M16/2,0 SCO - 1446375

### Accessories

Circular connectors (device side)

Flat nut - SACC-E-MU-M16 - 1504097



Flat nut with M16 thread

---

Phoenix Contact 2020 © - all rights reserved  
<http://www.phoenixcontact.com>

PHOENIX CONTACT GmbH & Co. KG  
Flachsmarktstr. 8  
32825 Blomberg  
Germany  
Tel. +49 5235 300  
Fax +49 5235 3 41200  
<http://www.phoenixcontact.com>

## X-ON Electronics

Largest Supplier of Electrical and Electronic Components

*Click to view similar products for [Circular Metric Connectors](#) category:*

*Click to view products by [Phoenix Contact](#) manufacturer:*

Other Similar products are found below :

[600X518037X](#) [6STD15PCR99B70A](#) [8R4000A16M020](#) [8R5000A16M005](#) [1200910002](#) [1203580030](#) [1200910008](#) [1200910011](#) [1300140094](#)  
[130203-0054](#) [1300140026](#) [1300150099](#) [RF-12S1N8A90DU](#) [1-3637-600-5205](#) [1612618](#) [21036836414](#) [8R4006A16M010](#) [1604232](#)  
[1R3006A20M005](#) [RF-12P1N8A90DU](#) [41-40011](#) [42-00006](#) [42-01015](#) [4-22279-4](#) [4-22281-1](#) [4-22284-9](#) [43-00113](#) [43-01088](#) [43-01203](#) [41-](#)  
[40013](#) [42-00008](#) [43-00343](#) [43-01026](#) [43-01162](#) [43-01173](#) [43-10000](#) [XS3P-M421-2](#) [600X518050X](#) [SACC-DSI-FS-5P-PG9-L180 SC](#)  
[8R5006A16M020](#) [8R5006A16M005](#) [8R4000A16M010](#) [6-22279-3](#) [1605332](#) [N03FA03144](#) [1300140077](#) [43-16213](#) [43-01338](#) [XS2RD4265](#)  
[XS2R-D426-1](#)