

# Sensor/actuator box header - SACB-4/ 8-L-C GG SCO P - 1452877


Please be informed that the data shown in this PDF Document is generated from our Online Catalog. Please find the complete data in the user's documentation. Our General Terms of Use for Downloads are valid (<http://phoenixcontact.com/download>)



Sensor/actuator box header, application: Standard, connection method: M12-SPEEDCON-socket Plastic, number of slots: 4, number of positions: 5, coding: A - standard, slot assignment: Double, status display: yes, pnp; master cable connection: Pluggable screw connection, shielding: no



## Key Commercial Data

|              |   |
|--------------|---|
| Packing unit | 1 pc  |
| GTIN         | <br>4 046356 553735 |
| GTIN         | 4046356553735   |

## Technical data

### General

|  |   |
|--|---|
| Rated voltage                            | 24 V DC   |
| Max. operating voltage $U_{max}$         | 30 V DC   |
| Current carrying capacity per I/O signal | 2 A   |
| Current carrying capacity per slot       | 4 A   |
| Total rated current                      | 10 A  |
| Number of positions                      | 5   |
| Number of slots                          | 4   |
| Flammability rating according to UL 94   | V0  |
| Sensor/actuator connection system        | M12-SPEEDCON-socket   |
| Note                                     | NOTE: Observe the permissible bending radii when laying conductors, since the degree of protection may be put in jeopardy if the bending forces are too high. Alleviate mechanical loads upstream of the connector, e.g. by using cable ties. |
|  | Unused slots are to be sealed off prior to commissioning. Suitable sealing elements are to be found under "Accessories".  |

### Ambient conditions

|                      |      |
|----------------------|------|
| Degree of protection | IP65 |
|                      | IP67 |

# Sensor/actuator box header - SACB-4/ 8-L-C GG SCO P - 1452877

## Technical data

### Ambient conditions

|                                 |                  |
|---------------------------------|------------------|
| Ambient temperature (operation) | -25 °C ... 80 °C |
|---------------------------------|------------------|

### Local diagnostics function

|                   |                               |
|-------------------|-------------------------------|
| Local diagnostics | Supply voltage Green LED      |
|                   | Status display I/O Yellow LED |

### Master cable data/connection data

|  |                            |
|--|----------------------------|
| Connection method  | Pluggable screw connection |
| Tightening torque slot sensor/actuator cable               | 0.4 Nm                     |
| Tightening torque of mounting screw for fixing the housing | 0.5 Nm                     |

### Insulation material

|  |                      |
|--|----------------------|
| Housing material   | PBT                  |
| Material of the moulding mass                            | PUR                  |
| Contact material   | Cu alloy             |
| Contact surface material                                 | gold-plated          |
| Contact carrier material                                 | PA                   |
| Material of contact, master cable side                   | CU alloy             |
| Material of contact surface, master cable side           | Sn                   |
| Material of the contact carrier on the master cable side | PA                   |
| Material of threaded sleeve                              | PBT                  |
| O-ring material  | NBR                  |
| Sealing material   | NBR (Connector hood) |

### Pin assignment

|  |                       |
|--|-----------------------|
| Slot/position = Wire color or connection | 1 / 4 (A) = WH        |
|  | 1 / 2 (B) = GY/PK     |
|  | 2 / 4 (A) = GN        |
|  | 2 / 2 (B) = RD/BU     |
|  | 3 / 4 (A) = YE        |
|  | 3 / 2 (B) = WH/GN     |
|  | 4 / 4 (A) = GY        |
|  | 4 / 2 (B) = BN/GN     |
|  | 1-4 / 1 (+ 24 V) = BN |
|  | 1-4 / 3 (0 V) = BU    |
|  | 1-4 / 5 (PE) = GN/YE  |

### Standards and Regulations

|  |                               |
|--|-------------------------------|
| Standards/specifications               | M12 connector IEC 61076-2-101 |
| Connection in acc. with standard       | CUL                           |
| Flammability rating according to UL 94 | V0                            |

### Environmental Product Compliance

|            |   |
|------------|---|
| China RoHS | Environmentally friendly use period: unlimited = EFUP-e |
|------------|---|

# Sensor/actuator box header - SACB-4/ 8-L-C GG SCO P - 1452877

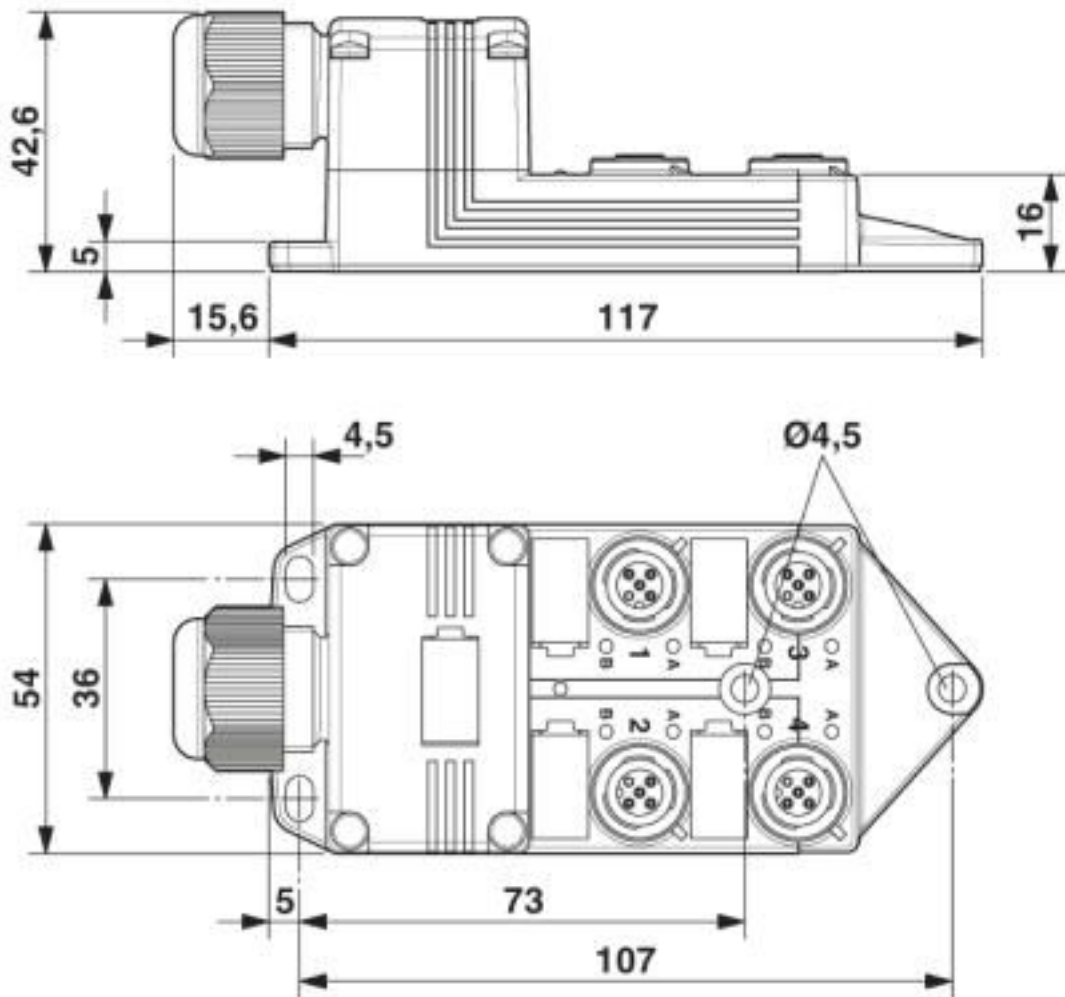
## Technical data

### Environmental Product Compliance

|  |  |
|--|--|
|  | No hazardous substances above threshold values |
|--|--|

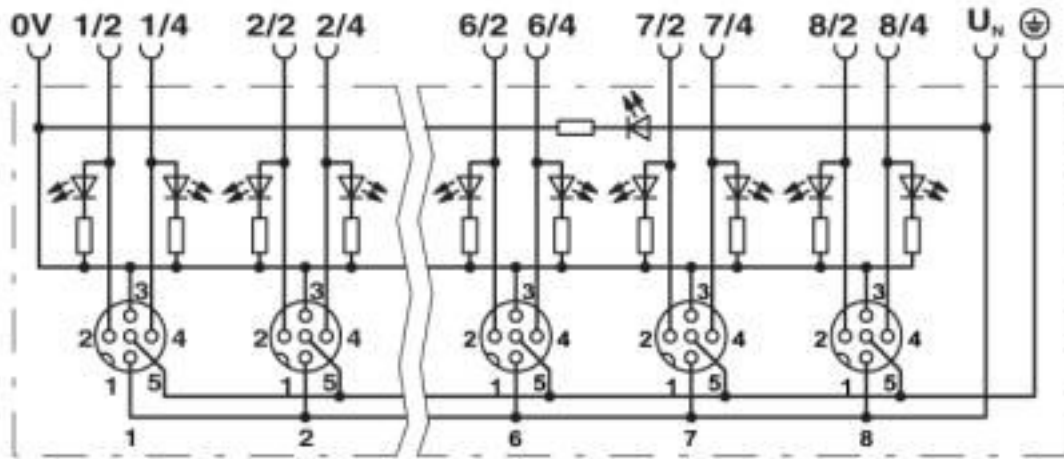
## Drawings

Dimensional drawing

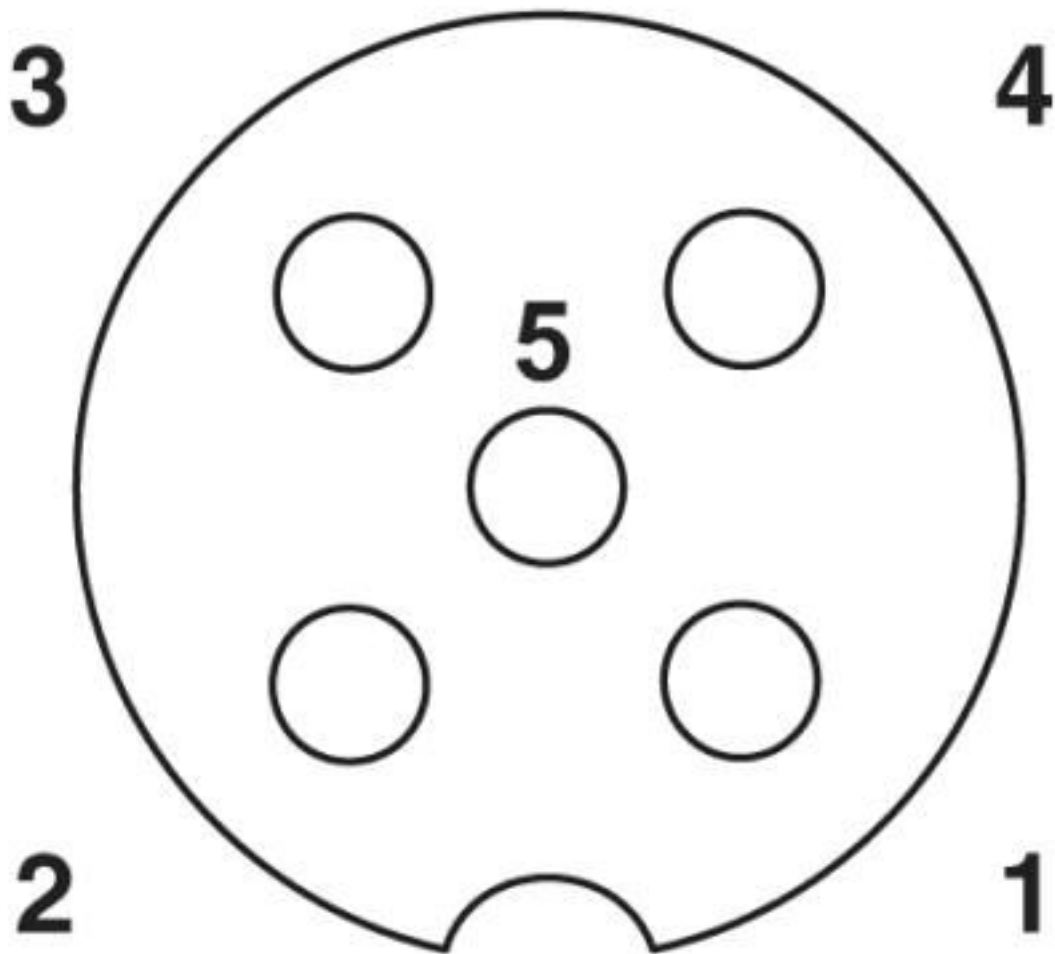


# Sensor/actuator box header - SACB-4/ 8-L-C GG SCO P - 1452877

Circuit diagram



Schematic diagram



M12 slot, socket, 5-pos.

# Sensor/actuator box header - SACB-4/ 8-L-C GG SCO P - 1452877

## Classifications

### eCl@ss

|               |          |
|---------------|----------|
| eCl@ss 10.0.1 | 27440111 |
| eCl@ss 4.0    | 27140800 |
| eCl@ss 4.1    | 27140800 |
| eCl@ss 5.0    | 27143400 |
| eCl@ss 5.1    | 27250300 |
| eCl@ss 6.0    | 27279200 |
| eCl@ss 7.0    | 27279219 |
| eCl@ss 8.0    | 27279219 |
| eCl@ss 9.0    | 27440108 |

### ETIM

|          |          |
|----------|----------|
| ETIM 4.0 | EC002585 |
| ETIM 5.0 | EC002585 |
| ETIM 6.0 | EC002585 |
| ETIM 7.0 | EC002585 |

### UNSPSC

|               |          |
|---------------|----------|
| UNSPSC 6.01   | 31261501 |
| UNSPSC 7.0901 | 31261501 |
| UNSPSC 11     | 31261501 |
| UNSPSC 12.01  | 31261501 |
| UNSPSC 13.2   | 31251501 |
| UNSPSC 19.0   | 31251501 |
| UNSPSC 20.0   | 31251501 |
| UNSPSC 21.0   | 31251501 |

## Approvals

### Approvals

---

#### Approvals

EAC / EAC / UL Recognized / cUL Recognized / cULus Recognized

---

#### Ex Approvals

---

### Approval details

|     |  |               |
|-----|--|---------------|
| EAC |  | EAC-Zulassung |
|-----|--|---------------|

# Sensor/actuator box header - SACB-4/ 8-L-C GG SCO P - 1452877

## Approvals

|     |  |                          |
|-----|--|--------------------------|
| EAC |  | RU C-<br>DE.BL08.B.00511 |
|-----|--|--------------------------|

|                    |  |   |               |
|--------------------|--|---|---------------|
| UL Recognized      |  | <a href="http://database.ul.com/cgi-bin/XYV/template/LISEXT/1FRAME/index.htm">http://database.ul.com/cgi-bin/XYV/template/LISEXT/1FRAME/index.htm</a> | FILE E 118976 |
| Nominal voltage UN |  | 24 V  |               |

|                    |  |   |               |
|--------------------|--|---|---------------|
| cUL Recognized     |  | <a href="http://database.ul.com/cgi-bin/XYV/template/LISEXT/1FRAME/index.htm">http://database.ul.com/cgi-bin/XYV/template/LISEXT/1FRAME/index.htm</a> | FILE E 118976 |
| Nominal voltage UN |  | 24 V  |               |

|                  |  |
|------------------|--|
| cULus Recognized |  |
|------------------|--|

## Accessories

### Accessories

#### Connector hood with master cable

##### Connector hood - SACB-C-H180-4/ 8- 5,0PUR SCO P - 1453083



Connector hood, application: Sensor/actuator box, connection method: M12-SPEEDCON-socket Plastic, number of slots: 4, slot assignment: Double, status display: No; master cable connection: Pluggable screw connection 180°, PUR/PVC, cable length: 5 m, shielding: no

##### Connector hood - SACB-C-H180-4/ 8-10,0PUR SCO P - 1453096



Connector hood, application: Sensor/actuator box, connection method: M12-SPEEDCON-socket Plastic, number of slots: 4, slot assignment: Double, status display: No; master cable connection: Pluggable screw connection 180°, PUR/PVC, cable length: 10 m, shielding: no

## Sensor/actuator box header - SACB-4/ 8-L-C GG SCO P - 1452877

### Accessories

Connector hood - SACB-C-H180-4/ 8 SCO P PUR/ - 1401393



Connector hood, application: Sensor/actuator box, connection method: M12-SPEEDCON-socket Plastic, number of slots: 4, slot assignment: Double, status display: No; master cable connection: Pluggable screw connection 180°, PUR/PVC, cable length: 0.5 m ... 50 m, shielding: no

---

Connector hood without master cable

Connector hood - SACB-C-H180-8/16 SCO P - 1453229



Connector hood with integrated connector, for M12 sensor/actuator boxes with SPEEDCON plastic thread and plug-in screw connection, for 4, 6 or 8 slots

---

### Device marking

Snap-in markers - UC-EM (17,5X9) - 0827490



Snap-in markers, Sheet, white, unlabeled, can be labeled with: BLUEMARK ID, BLUEMARK ID COLOR, BLUEMARK CLED, BLUEMARK LED, CMS-P1-PLOTTER, PLOTMARK, mounting type: snapped into marker carrier, lettering field size: 17.5 x 9 mm, Number of individual labels: 20

---

Snap-in markers - UCT-EM (17,5X9) - 0801491



Snap-in markers, Sheet, white, unlabeled, can be labeled with: TOPMARK NEO, TOPMARK LASER, BLUEMARK ID COLOR, BLUEMARK ID, BLUEMARK CLED, THERMOMARK PRIME, THERMOMARK CARD 2.0, THERMOMARK CARD, mounting type: snapped into marker carrier, lettering field size: 17.5 x 9 mm, Number of individual labels: 24

---

Snap-in markers - UC-EM (17,5X9) YE - 0827494



Snap-in markers, Sheet, yellow, unlabeled, can be labeled with: BLUEMARK ID COLOR, BLUEMARK ID, BLUEMARK CLED, PLOTMARK, CMS-P1-PLOTTER, mounting type: snapped into marker carrier, lettering field size: 17.5 x 9 mm, Number of individual labels: 20

## Sensor/actuator box header - SACB-4/ 8-L-C GG SCO P - 1452877

### Accessories

Snap-in markers - UCT-EM (17,5X9) YE - 0801492



Snap-in markers, Sheet, yellow, unlabeled, can be labeled with: TOPMARK NEO, TOPMARK LASER, BLUEMARK ID COLOR, BLUEMARK ID, BLUEMARK CLED, THERMOMARK PRIME, THERMOMARK CARD 2.0, THERMOMARK CARD, mounting type: snapped into marker carrier, lettering field size: 17.5 x 9 mm, Number of individual labels: 24

---

### Labeled device marker

Snap-in markers - UC-EM (17,5X9) CUS - 0828238



Snap-in markers, can be ordered: by sheet, white, labeled according to customer specifications, mounting type: snapped into marker carrier, lettering field size: 17.5 x 9 mm, Number of individual labels: 20

Snap-in markers - UCT-EM (17,5X9) CUS - 0801575



UniCard sheet, for labeling devices from other manufacturers, for overview table see download area, labeled according to customer specifications

Snap-in markers - UC-EM (17,5X9) YE CUS - 0828239



Snap-in markers, can be ordered: by sheet, yellow, labeled according to customer specifications, mounting type: snapped into marker carrier, lettering field size: 17.5 x 9 mm, Number of individual labels: 20

Snap-in markers - UCT-EM (17,5X9) YE CUS - 0801576



UniCard sheet, for labeling devices from other manufacturers, for overview table see download area, labeled according to customer specifications

---

### Mounting rail adapter



## Sensor/actuator box header - SACB-4/ 8-L-C GG SCO P - 1452877

### Accessories

DIN rail adapter - UTA 107 - 2853983

Universal DIN rail adapter, for screwing on switchgear



---

Plug for cable screw gland

Screw plug - PROT-MS SCO - 1553129



---

Screwdriver tools

Adapter insert - TSD-M SAC-BIT ADAPTER - 1212600



Adapter bit for TSD-M...torque tools, E6.3-1/4" drive with 4 mm hexagon to accommodate SAC bits

---

Tool - SAC BIT M12-D15 - 1208432



Nut for assembling sensor/actuator cables with M12 connector and M12 connectors for assembly, with a knurl diameter of 15 mm, for 4 mm hexagonal drive

---

Tool - SACC BIT M12-D20 - 1208445



Nut for assembling M12 connectors for assembly with a knurl diameter of 20 mm, for 4 mm hexagonal drive

## Sensor/actuator box header - SACB-4/ 8-L-C GG SCO P - 1452877

### Accessories

Philips screwdriver - SZK PZ2 VDE - 1206463



Screwdriver, PZ crosshead, VDE insulated, size: PZ 2 x 100 mm, 2-component grip, with non-slip grip

---

Tool - SAC BIT HOOD-W 24 - 1212486



Nut for assembling pressure nuts with 24 mm wrench size, for 4 mm hexagonal drive

---

Screw insert - SF-BIT-PZ 2-50 - 1212592



Screw bit, PZ crosshead, E6.3-1/4" drive, size: PZ 2 x 50 mm, hardened, suitable for holder according to DIN 3126-F6.3/ISO 1173

---

### Torque tool

Torque screwdriver - TSD 04 SAC - 1208429



Torque screwdriver, with preset torque of 0.4 Nm and 4 mm hexagonal drive for M12 connectors

---

Torque screwdriver - TSD-M 1,2NM - 1212224



Torque screw driver, accuracy as per EN ISO 6789 standard, adjustable from 0.3 - 1.2 Nm

---

## Sensor/actuator box header - SACB-4/ 8-L-C GG SCO P - 1452877

### Accessories

Torque screwdriver - TSD 25 SAC - 1212315



Torque screwdriver, with preset torque of 2.5 Nm and 4 mm hexagonal drive for the pressure nut of the connector hood

---

Torque screwdriver - TSD-M 3NM - 1212225



Torque screw driver, accuracy as per EN ISO 6789 standard, adjustable from 1.2 - 3 Nm

---

Phoenix Contact 2020 © - all rights reserved  
<http://www.phoenixcontact.com>

PHOENIX CONTACT GmbH & Co. KG  
Flachsmarktstr. 8  
32825 Blomberg  
Germany  
Tel. +49 5235 300  
Fax +49 5235 3 41200  
<http://www.phoenixcontact.com>

## X-ON Electronics

Largest Supplier of Electrical and Electronic Components

*Click to view similar products for [Circular Metric Connectors](#) category:*

*Click to view products by [Phoenix Contact](#) manufacturer:*

Other Similar products are found below :

[600X518037X](#) [6STD15PCR99B70A](#) [8R4000A16M020](#) [8R5000A16M005](#) [1200910002](#) [1203580030](#) [1200910008](#) [1200910011](#) [1300140094](#)  
[130203-0054](#) [1300140026](#) [1300150099](#) [RF-12S1N8A90DU](#) [1-3637-600-5205](#) [1612618](#) [21036836414](#) [8R4006A16M010](#) [1604232](#)  
[1R3006A20M005](#) [RF-12P1N8A90DU](#) [41-40011](#) [42-00006](#) [42-01015](#) [4-22279-4](#) [4-22281-1](#) [4-22284-9](#) [43-00113](#) [43-01088](#) [43-01203](#) [41-](#)  
[40013](#) [42-00008](#) [43-00343](#) [43-01026](#) [43-01162](#) [43-01173](#) [43-10000](#) [XS3P-M421-2](#) [600X518050X](#) [SACC-DSI-FS-5P-PG9-L180 SC](#)  
[8R5006A16M020](#) [8R5006A16M005](#) [8R4000A16M010](#) [6-22279-3](#) [1605332](#) [N03FA03144](#) [1300140077](#) [43-16213](#) [43-01338](#) [XS2RD4265](#)  
[XS2R-D426-1](#)