

## Sensor/actuator cable - SAC-4P-M12MS/10,0-28X OD - 1454066

Please be informed that the data shown in this PDF Document is generated from our Online Catalog. Please find the complete data in the user's documentation. Our General Terms of Use for Downloads are valid (<http://phoenixcontact.com/download>)



Sensor/actuator cable, 4-position, PE-X halogen-free, black-gray RAL 7021, Plug straight M12, coding: A, on free cable end, cable length: 10 m, for outdoor applications, with high-grade steel knurl

### Your advantages

- ✓ Easy and safe: 100% electrically tested plug-in components
- ✓ Corrosion protection for all exposed metal parts, thanks to the use of stainless steel type 1.4404
- ✓ Robust throughout: resistant to oil, UV, and ozone, withstands temperatures from -40°C to +105°C

### Key Commercial Data

|              |               |
|--------------|---------------|
| Packing unit | 1 pc          |
| GTIN         |               |
| GTIN         | 4046356568678 |

### Technical data

#### Dimensions

|                 |      |
|-----------------|------|
| Length of cable | 10 m |
|-----------------|------|

#### Ambient conditions

|                                 |   |
|---------------------------------|---|
| Ambient temperature (operation) | -40 °C ... 105 °C (Plug / socket)   |
|                                 | -40 °C ... 85 °C (On sudden changes in temperature (according to IEC 60512-11-4)) |
| Degree of protection            | IP65  |
|                                 | IP67  |
|                                 | IP68  |
|                                 | IP69K   |

#### General

|                       |          |
|-----------------------|----------|
| Rated current at 40°C | 4 A      |
| Rated voltage         | 250 V AC |
|                       | 250 V DC |

# Sensor/actuator cable - SAC-4P-M12MS/10,0-28X OD - 1454066

## Technical data

### General

|                              |                               |
|------------------------------|-------------------------------|
| Number of positions          | 4                             |
| Insulation resistance        | ≥ 100 MΩ                      |
| Coding                       | A - standard                  |
| Standards/regulations        | M12 connector IEC 61076-2-101 |
| Status display               | No                            |
| Protective circuit/component | unwired                       |
| Overvoltage category         | II                            |
| Degree of pollution          | 3                             |
| Insertion/withdrawal cycles  | ≥ 100                         |
| Torque                       | 0.4 Nm (M12 connector)        |

### Material

|  |                 |
|--|-----------------|
| Flammability rating according to UL 94 | V0              |
| Contact material                       | CuSn            |
| Contact surface material               | Ni/Au           |
| Contact carrier material               | PP              |
| Material of grip body                  | PP              |
| Material, knurls                       | Stainless steel |
| Sealing material                       | FPM             |

### Standards and Regulations

|  |                               |
|--|-------------------------------|
| Standards/specifications               | M12 connector IEC 61076-2-101 |
| Flammability rating according to UL 94 | V0                            |

### Cable

|   |                                      |
|---|--------------------------------------|
| Cable type                                    | PE-X black                           |
| Cable type (abbreviation)                     | 28X                                  |
| Cable abbreviation                            | Li2X2X                               |
| Conductor cross section                       | 4x 0.5 mm <sup>2</sup> (Signal line) |
| AWG signal line                               | 20                                   |
| Conductor structure signal line               | 28x 0.15 mm                          |
| Core diameter including insulation            | 1.6 mm ±0.05 mm (Signal line)        |
| Thickness, insulation                         | approx. 0.3 mm (Core insulation)     |
|   | approx. 0.6 mm (Outer cable sheath)  |
| Wire colors                                   | brown, white, blue, black            |
| Overall twist                                 | 4 wires, twisted                     |
| Length of twist, overall twist                | 61.6 mm                              |
| External sheath, color                        | black-gray RAL 7021                  |
| External cable diameter D                     | 5.2 mm ±0.2 mm                       |
| Smallest bending radius, fixed installation   | 26 mm                                |
| Smallest bending radius, movable installation | 52 mm                                |
| Number of bending cycles                      | 2000000                              |

## Sensor/actuator cable - SAC-4P-M12MS/10,0-28X OD - 1454066

### Technical data

#### Cable

|                                 |  |
|---------------------------------|--|
| Bending radius                  | 52 mm  |
| Traversing path                 | 10 m   |
| Traversing rate                 | 3 m/s  |
| Acceleration                    | 10 m/s <sup>2</sup>                              |
| Cable weight                    | 44 kg/km   |
| Outer sheath, material          | PE-X   |
| Material conductor insulation   | PE-X   |
| Conductor material              | Bare Cu litz wires                               |
| Insulation resistance           | ≥ 100 MΩ*km (at 20 °C)                           |
| Conductor resistance            | ≤ 39 Ω/km (at 20 °C)                             |
| Nominal voltage, cable          | ≤ 300 V AC                                       |
| Test voltage, cable             | ≥ 3000 V AC                                      |
| Special properties              | Irradiated                                       |
| Flame resistance                | according to DIN 60332-1-2                       |
|                                 | according to DIN EN 50266-2-5                    |
|                                 | according to IEC 60332-3-25 (bunched fire test)  |
| Halogen-free                    | in accordance with DIN VDE 0472 part 815         |
| Resistance to oil               | in accordance with DIN EN 60811-2-1              |
| Other resistance                | UV resistant according to DIN VDE 0276-605       |
| Concentration of fumes          | according to DIN EN 61034                        |
| Fume corrosiveness              | according to IEC 60754                           |
| Ambient temperature (operation) | -40 °C ... 105 °C (cable, fixed installation)    |
|                                 | -15 °C ... 105 °C (cable, flexible installation) |

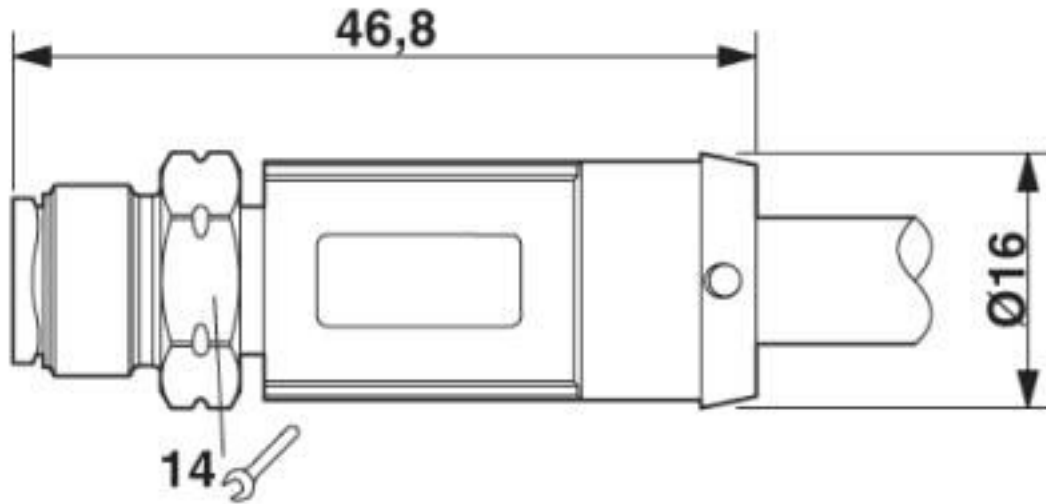
#### Environmental Product Compliance

|            |   |
|------------|---|
| China RoHS | Environmentally friendly use period: unlimited = EFUP-e |
|            | No hazardous substances above threshold values          |

#### Drawings

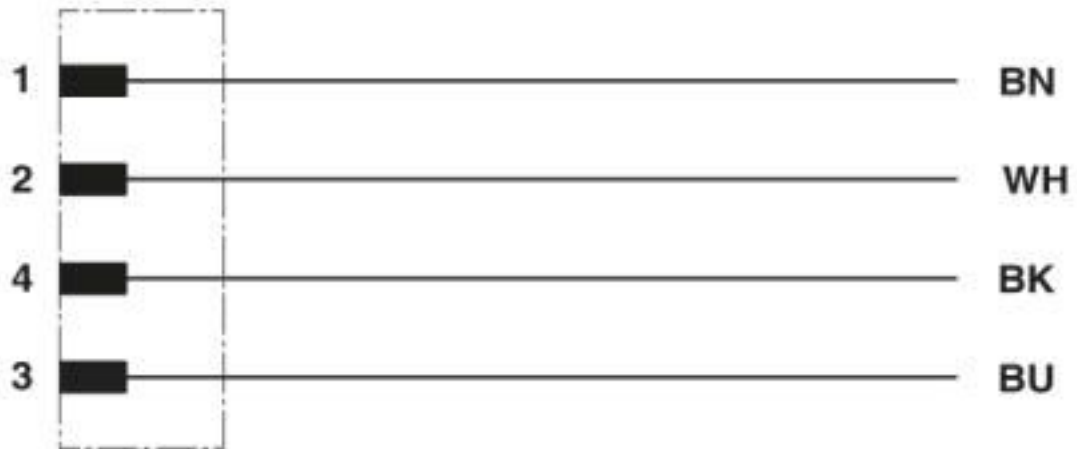
# Sensor/actuator cable - SAC-4P-M12MS/10,0-28X OD - 1454066

Dimensional drawing



Plug, M12 x 1, straight, shielded

Circuit diagram



Contact assignment of the M12 plug

## Sensor/actuator cable - SAC-4P-M12MS/10,0-28X OD - 1454066

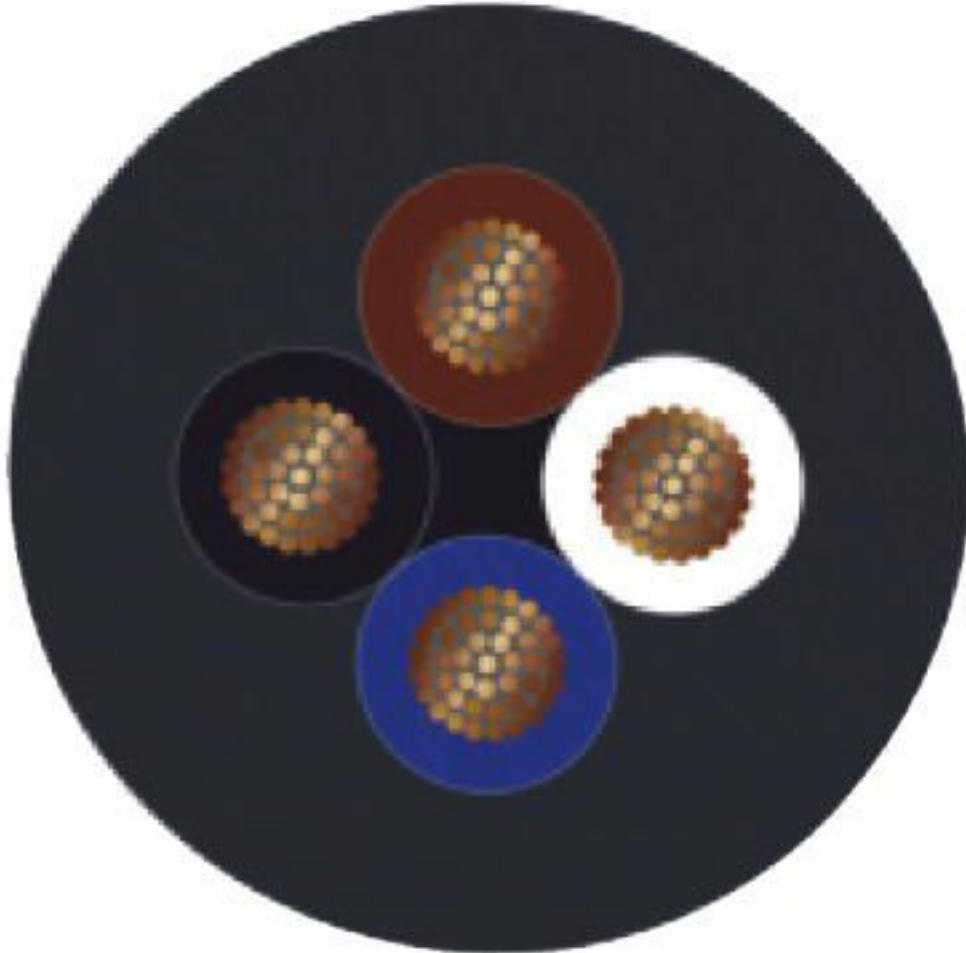
Schematic diagram



Pin assignment M12 plug, 4-pos., A-coded, view plug side

# Sensor/actuator cable - SAC-4P-M12MS/10,0-28X OD - 1454066

Cable cross section



PE-X black [28X]

## Classifications

eCl@ss

|               |          |
|---------------|----------|
| eCl@ss 10.0.1 | 27060311 |
| eCl@ss 4.0    | 27060300 |
| eCl@ss 4.1    | 27060300 |
| eCl@ss 5.0    | 27061800 |
| eCl@ss 5.1    | 27061800 |
| eCl@ss 6.0    | 27279200 |
| eCl@ss 7.0    | 27279218 |
| eCl@ss 8.0    | 27279218 |
| eCl@ss 9.0    | 27060311 |

# Sensor/actuator cable - SAC-4P-M12MS/10,0-28X OD - 1454066

## Classifications

### ETIM

|          |          |
|----------|----------|
| ETIM 4.0 | EC001855 |
| ETIM 5.0 | EC001855 |
| ETIM 6.0 | EC001855 |
| ETIM 7.0 | EC001855 |

### UNSPSC

|               |          |
|---------------|----------|
| UNSPSC 6.01   | 31251501 |
| UNSPSC 7.0901 | 31251501 |
| UNSPSC 11     | 31251501 |
| UNSPSC 12.01  | 31251501 |
| UNSPSC 13.2   | 31251501 |
| UNSPSC 19.0   | 31251501 |
| UNSPSC 20.0   | 31251501 |
| UNSPSC 21.0   | 31251501 |

## Approvals

### Approvals

#### Approvals

DNV GL / EAC-RoHS / EAC

#### Ex Approvals

### Approval details

|        |  |   |            |
|--------|--|---|------------|
| DNV GL |  | <a href="https://approvalfinder.dnvgl.com/">https://approvalfinder.dnvgl.com/</a> | TAE00002K4 |
|--------|--|---|------------|

|          |  |  |                          |
|----------|--|--|--------------------------|
| EAC-RoHS |  |  | RU D-<br>DE.HB35.B.00387 |
|----------|--|--|--------------------------|

|     |  |  |                          |
|-----|--|--|--------------------------|
| EAC |  |  | RU C-<br>DE.BL08.B.00286 |
|-----|--|--|--------------------------|

## Accessories

### Accessories

## Sensor/actuator cable - SAC-4P-M12MS/10,0-28X OD - 1454066

### Accessories

Circular connector (cable-side)

Connector - SACC-M12FS-4QO-0,75-VA - 1440782



Connector, Universal, 4-position, Socket straight M12, Coding: A, Insulation displacement connection, knurl material: Stainless steel 1.4404, external cable diameter 4 mm ... 8 mm

---

### Screwdriver tools

Adapter insert - TSD-M SAC-BIT ADAPTER - 1212600



Adapter bit for TSD-M...torque tools, E6.3-1/4" drive with 4 mm hexagon to accommodate SAC bits

---

Adapter - SAC BIT M12-W14 - 1212513



Nut for assembling sensor/actuator cables with M12 connector and M12 connectors for assembly, with a hexagonal knurl wrench size of 14 mm, with 4 mm hexagonal drive

---

### Torque tool

Torque screwdriver - TSD 04 SAC - 1208429



Torque screwdriver, with preset torque of 0.4 Nm and 4 mm hexagonal drive for M12 connectors

---

Torque screwdriver - TSD-M 1,2NM - 1212224



Torque screw driver, accuracy as per EN ISO 6789 standard, adjustable from 0.3 - 1.2 Nm



Phoenix Contact 2020 © - all rights reserved  
<http://www.phoenixcontact.com>

PHOENIX CONTACT GmbH & Co. KG  
Flachsmarktstr. 8  
32825 Blomberg  
Germany  
Tel. +49 5235 300  
Fax +49 5235 3 41200  
<http://www.phoenixcontact.com>

## X-ON Electronics

Largest Supplier of Electrical and Electronic Components

*Click to view similar products for [Sensor Cables / Actuator Cables](#) category:*

*Click to view products by [Phoenix Contact](#) manufacturer:*

Other Similar products are found below :

[60963](#) [60964](#) [703000D02F2002](#) [703001D02F0602](#) [703001D02F300](#) [704000D02F120](#) [773032K02F030](#) [802027107404-1](#) [802027213811-1](#)  
[804001A09M150](#) [805001A09M0502](#) [84914-0235](#) [84914-0237](#) [885030A09M020](#) [8R4J30E03C3003](#) [1200651332](#) [1200651713](#) [1200660844](#)  
[1200660845](#) [1200661173](#) [1200680071](#) [1200720053](#) [1200720081](#) [1200720099](#) [1200720217](#) [1200800231](#) [1200860125](#) [1200870123](#)  
[1200980102](#) [1200650267](#) [1200650298](#) [1200660183](#) [1200660782](#) [1200660849](#) [1200661295](#) [1200661297](#) [1200661342](#) [1200661343](#)  
[1200670080](#) [1200670220](#) [1200680331](#) [1200720252](#) [1200730184](#) [1200860344](#) [1200870359](#) [1200870643](#) [1200980008](#) [1200980031](#)  
[1210502211](#) [1210400542](#)