

# Sensor/actuator cable - SAC-4P-M12MS/ 0,6-PUR/M12FR SH - 1500978

Please be informed that the data shown in this PDF Document is generated from our Online Catalog. Please find the complete data in the user's documentation. Our General Terms of Use for Downloads are valid (<http://phoenixcontact.com/download>)

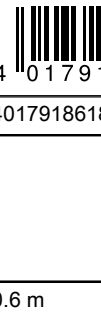


Sensor/actuator cable, 4-position, PUR halogen-free, black-gray RAL 7021, shielded, Plug straight M12, coding: A, on Socket angled M12, coding: A, cable length: 0.6 m

## Your advantages

- ✓ Easy and safe: 100% electrically tested plug-in components
- ✓ Our standard: robust halogen-free PUR cable
- ✓ Reliable signal transmission – 360° shielding in environments with electromagnetic interference

## Key Commercial Data

|              |  |
|--------------|--|
| Packing unit | 1 pc   |
| GTIN         | <br>4 017918 618162 |
| GTIN         | 4017918618162  |

## Technical data

### Dimensions

|                 |       |
|-----------------|-------|
| Length of cable | 0.6 m |
|-----------------|-------|

### Ambient conditions

|                                 |                                  |
|---------------------------------|----------------------------------|
| Ambient temperature (operation) | -25 °C ... 90 °C (Plug / socket) |
| Degree of protection            | IP65                             |
|                                 | IP67                             |

### General

|                       |              |
|-----------------------|--------------|
| Rated current at 40°C | 4 A          |
| Rated voltage         | 48 V AC      |
|                       | 60 V DC      |
| Number of positions   | 4            |
| Insulation resistance | ≥ 100 MΩ     |
| Coding                | A - standard |

# Sensor/actuator cable - SAC-4P-M12MS/ 0,6-PUR/M12FR SH - 1500978

## Technical data

### General

|                              |                               |
|------------------------------|-------------------------------|
| Standards/regulations        | M12 connector IEC 61076-2-101 |
| Status display               | No                            |
| Protective circuit/component | unwired                       |
| Overvoltage category         | II                            |
| Degree of pollution          | 3                             |
| Insertion/withdrawal cycles  | ≥ 100                         |
| Torque                       | 0.4 Nm (M12 connector)        |

### Material

|  |   |
|--|---|
| Flammability rating according to UL 94 | HB  |
| Contact material                       | CuSn  |
| Contact surface material               | Ni/Au                                       |
| Contact carrier material               | TPU GF                                      |
| Material of grip body                  | TPU, hardly inflammable, self-extinguishing |
| Material, knurls                       | Zinc die-cast, nickel-plated                |
| Sealing material                       | NBR   |

### Standards and Regulations

|  |                               |
|--|-------------------------------|
| Standards/specifications               | M12 connector IEC 61076-2-101 |
| Flammability rating according to UL 94 | HB                            |

### Cable

|   |                                       |
|---|---------------------------------------|
| Cable type                                      | PUR halogen-free black                |
| Cable type (abbreviation)                       | PUR                                   |
| Cable abbreviation                              | Li9Y-V1-C-V1-11Y                      |
| UL AWM style                                    | 20549 / 10493 (80°C/300 V)            |
| Conductor cross section                         | 4x 0.34 mm <sup>2</sup> (Signal line) |
| AWG signal line                                 | 22                                    |
| Conductor structure signal line                 | 42x 0.10 mm                           |
| Core diameter including insulation              | 1.27 mm ±0.02 mm (Signal line)        |
| Thickness, insulation                           | ≥ 0.21 mm                             |
| Wire colors                                     | brown, white, blue, black             |
| Overall twist                                   | 4 wires, twisted                      |
| Shielding                                       | Tinned copper braided shield          |
| Optical shield covering                         | 80 %                                  |
| External sheath, color                          | black-gray RAL 7021                   |
| Outer sheath thickness                          | approx. 0.5 mm                        |
| External cable diameter D                       | 4.95 mm ±0.2 mm                       |
| Minimum bending radius, fixed installation      | 5 x D                                 |
| Minimum bending radius, flexible installation   | 10 x D                                |
| Number of bending cycles                        | 10000000                              |
| Minimum bending radius, drag chain applications | 10 x D                                |

# Sensor/actuator cable - SAC-4P-M12MS/ 0,6-PUR/M12FR SH - 1500978

## Technical data

### Cable

|                                 |   |
|---------------------------------|---|
| Traversing path                 | 10 m  |
| Traversing rate                 | 3 m/s   |
| Acceleration                    | 10 m/s <sup>2</sup>   |
| Cable weight                    | 36 kg/km  |
| Outer sheath, material          | PUR   |
| Material conductor insulation   | PP  |
| Conductor material              | Bare Cu litz wires  |
| Insulation resistance           | ≥ 100 GΩ*km (at 20 °C)  |
| Conductor resistance            | max. 58 Ω/km (at 20 °C)   |
| Cable capacity                  | ≤ 80 pF/m (Conductor-Conductor)                                     |
|                                 | ≤ 135 pF/m (Wire/shield)  |
| Wave impedance                  | ≥ 62 Ω (f = 10 MHz)   |
| Conductor inductance            | approx. 0.75 mH/km (f = 1 kHz)                                      |
| Nominal voltage, cable          | ≤ 300 V   |
| Test voltage, cable             | ≥ 3000 V  |
| Special properties              | Flexible cable conduit capable                                      |
|                                 | Silicone-free   |
|                                 | Free of substances which would hinder coating with paint or varnish |
|                                 | Low adhesion surface  |
| Flame resistance                | in accordance with UL 758/1581 FT2                                  |
|                                 | DIN EN 60332-2-2 (20 s)   |
| Halogen-free                    | in accordance with DIN VDE 0472 part 815                            |
|                                 | in accordance with DIN EN 50267-2-1                                 |
| Resistance to oil               | in accordance with DIN EN 60811-2-1                                 |
| Other resistance                | Highly resistant to acids, alkaline solutions and solvents          |
|                                 | hydrolysis and microbe resistant                                    |
|                                 | Resistant to salt water   |
|                                 | partly UV-resistant in accordance with DIN EN ISO 4892-2-A          |
|                                 | abrasion-resistant  |
| Ambient temperature (operation) | -40 °C ... 80 °C (cable, fixed installation)                        |
|                                 | -25 °C ... 80 °C (cable, flexible installation)                     |

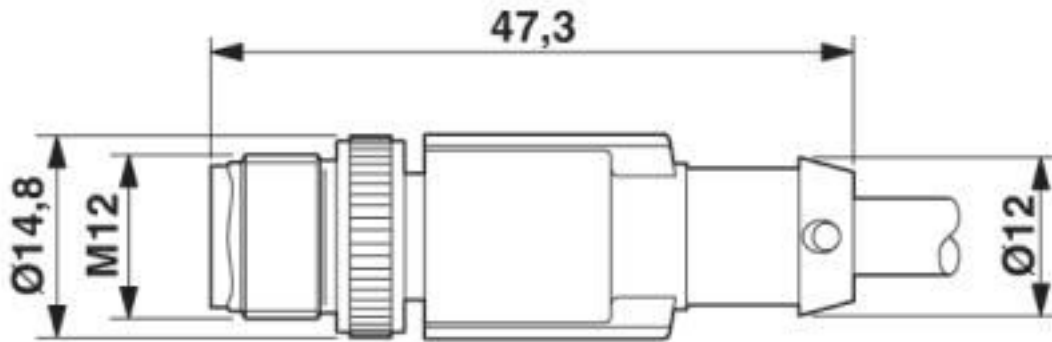
### Environmental Product Compliance

|            |   |
|------------|---|
| China RoHS | Environmentally friendly use period: unlimited = EFUP-e |
|            | No hazardous substances above threshold values          |

### Drawings

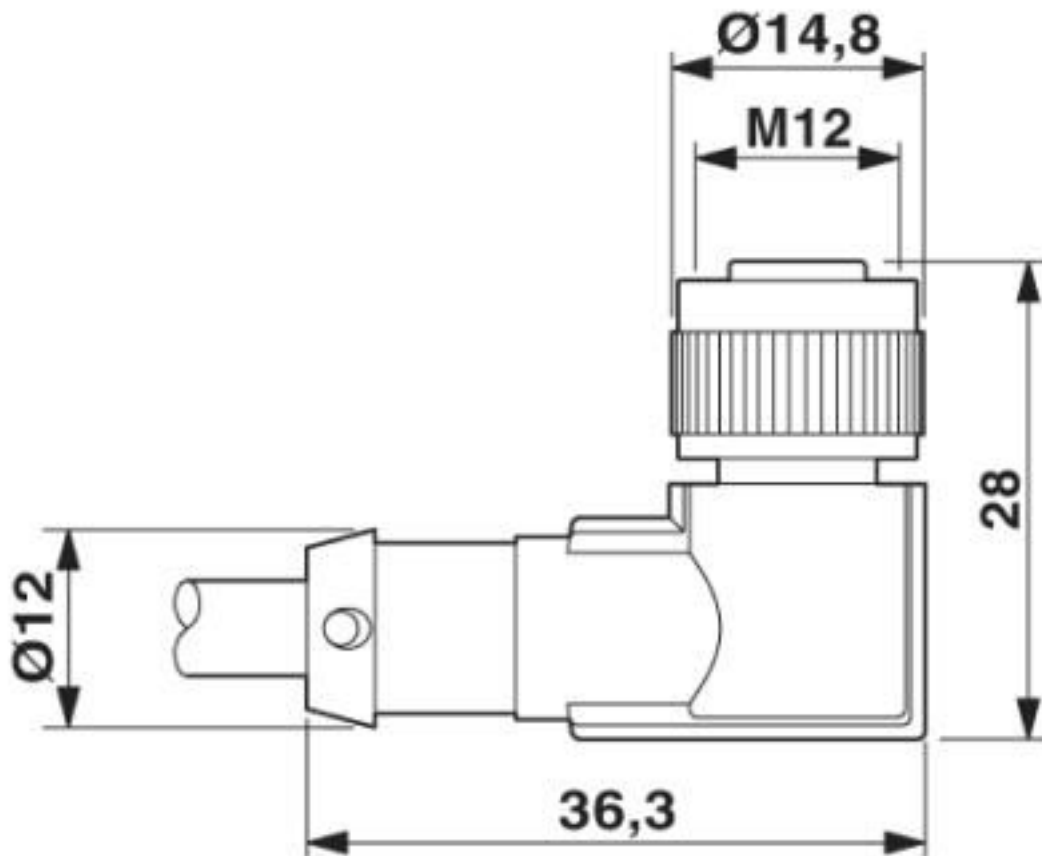
# Sensor/actuator cable - SAC-4P-M12MS/ 0,6-PUR/M12FR SH - 1500978

Dimensional drawing



Plug, M12 x 1, straight, shielded

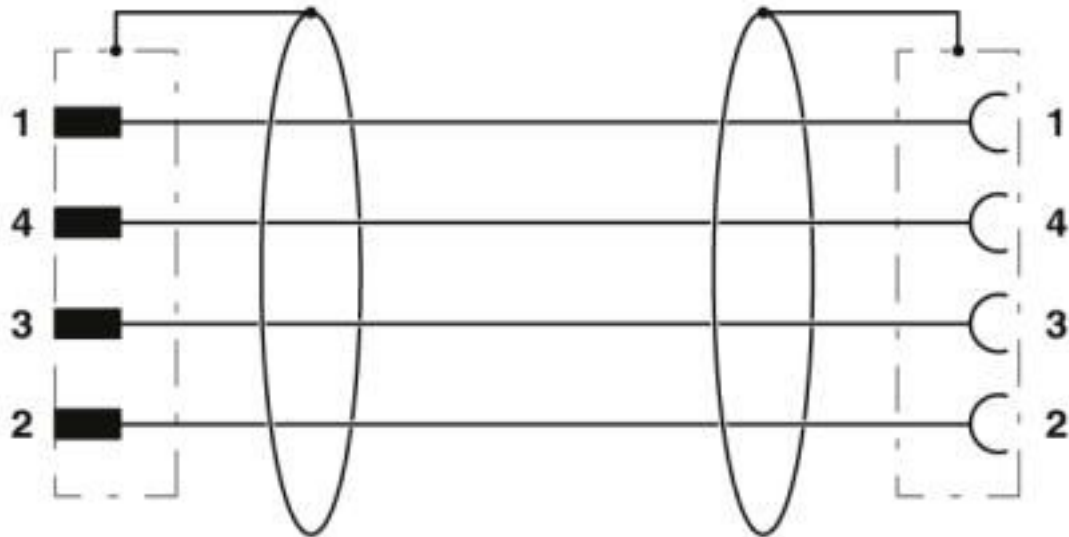
Dimensional drawing



M12 x 1 socket, angled, shielded

## Sensor/actuator cable - SAC-4P-M12MS/ 0,6-PUR/M12FR SH - 1500978

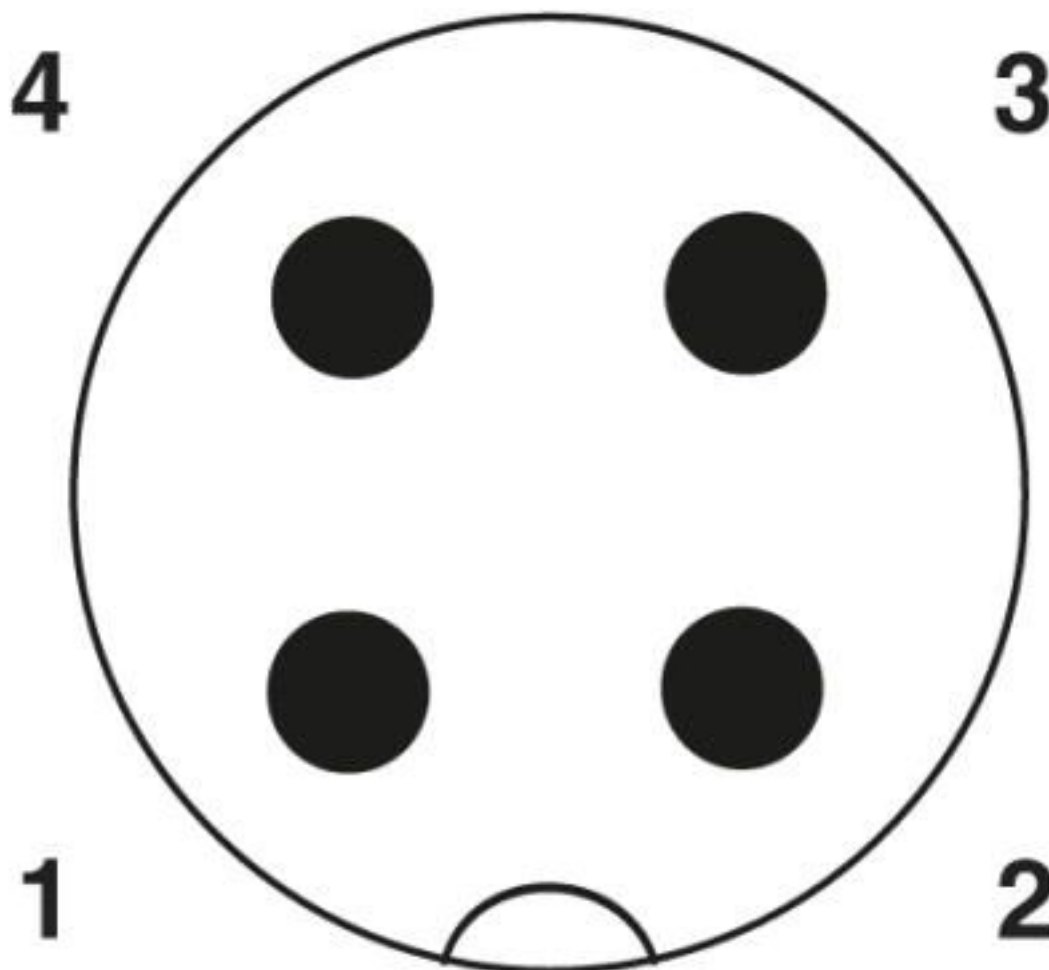
Circuit diagram



Contact assignment of the M12 plug and the M12 socket

# Sensor/actuator cable - SAC-4P-M12MS/ 0,6-PUR/M12FR SH - 1500978

Schematic diagram



Pin assignment M12 plug, 4-pos., A-coded, view plug side

# Sensor/actuator cable - SAC-4P-M12MS/ 0,6-PUR/M12FR SH - 1500978

Schematic diagram



Pin assignment M12 socket, 4-pos., A-coded, view female side

# Sensor/actuator cable - SAC-4P-M12MS/ 0,6-PUR/M12FR SH - 1500978

Cable cross section



PUR halogen-free black [PUR]

## Classifications

eCl@ss

|               |          |
|---------------|----------|
| eCl@ss 10.0.1 | 27060311 |
| eCl@ss 4.0    | 27060300 |
| eCl@ss 4.1    | 27060300 |
| eCl@ss 5.0    | 27061800 |
| eCl@ss 5.1    | 27061800 |
| eCl@ss 6.0    | 27279200 |
| eCl@ss 7.0    | 27279218 |
| eCl@ss 8.0    | 27279218 |
| eCl@ss 9.0    | 27060311 |



# Sensor/actuator cable - SAC-4P-M12MS/ 0,6-PUR/M12FR SH - 1500978

## Classifications

### ETIM

|          |          |
|----------|----------|
| ETIM 2.0 | EC000830 |
| ETIM 3.0 | EC001855 |
| ETIM 4.0 | EC001855 |
| ETIM 5.0 | EC001855 |
| ETIM 6.0 | EC001855 |
| ETIM 7.0 | EC001855 |

### UNSPSC

|               |          |
|---------------|----------|
| UNSPSC 6.01   | 31251501 |
| UNSPSC 7.0901 | 31251501 |
| UNSPSC 11     | 31251501 |
| UNSPSC 12.01  | 31251501 |
| UNSPSC 13.2   | 31251501 |
| UNSPSC 19.0   | 31251501 |
| UNSPSC 20.0   | 31251501 |
| UNSPSC 21.0   | 31251501 |

## Approvals


### Approvals


#### Approvals

UL Listed / cUL Listed / EAC-RoHS / EAC / cULus Listed

#### Ex Approvals

### Approval details

|                    |   |   |               |
|--------------------|---|---|---------------|
| UL Listed          |  | <a href="http://database.ul.com/cgi-bin/XYV/template/LISEXT/1FRAME/index.htm">http://database.ul.com/cgi-bin/XYV/template/LISEXT/1FRAME/index.htm</a> | FILE E 221474 |
| Nominal voltage UN | 300 V   |   |               |
| Nominal current IN | 4 A   |   |               |

|                    |   |   |               |
|--------------------|---|---|---------------|
| cUL Listed         |  | <a href="http://database.ul.com/cgi-bin/XYV/template/LISEXT/1FRAME/index.htm">http://database.ul.com/cgi-bin/XYV/template/LISEXT/1FRAME/index.htm</a> | FILE E 221474 |
| Nominal voltage UN | 300 V   |   |               |

# Sensor/actuator cable - SAC-4P-M12MS/ 0,6-PUR/M12FR SH - 1500978

## Approvals

|                                |     |
|--------------------------------|-----|
| Nominal current I <sub>N</sub> | 4 A |
|--------------------------------|-----|

|          |  |                          |
|----------|--|--------------------------|
| EAC-RoHS |  | RU D-<br>DE.HB35.B.00387 |
|----------|--|--------------------------|

|     |  |                          |
|-----|--|--------------------------|
| EAC |  | RU C-<br>DE.BL08.B.00286 |
|-----|--|--------------------------|

|              |  |  |
|--------------|--|--|
| cULus Listed |  |  |
|--------------|--|--|

## Accessories

### Accessories

#### Conductor marking

Insert label - PABA WH/23 - 1013779



Insert label, Strip, white, unlabeled, can be labeled with: CMS-P1-PLOTTER, mounting type: thread on, cable diameter range: 1.5 ... 35 mm, lettering field size: 23 x 4 mm, Number of individual labels: 20

Insert label - PABA YE/23 - 1013782



Insert label, Strip, yellow, unlabeled, can be labeled with: CMS-P1-PLOTTER, mounting type: thread on, cable diameter range: 1.5 ... 35 mm, lettering field size: 23 x 4 mm, Number of individual labels: 20

#### Marker pen

Marker pen - B-STIFT - 1051993



Marker pen, for manual labeling of unprinted Zack strips, smear-proof and waterproof, line thickness 0.5 mm

## Sensor/actuator cable - SAC-4P-M12MS/ 0,6-PUR/M12FR SH - 1500978

### Accessories

#### Plug for cable screw gland

Screw plug - PROT-M12 MS-PA-CHAIN - 1430899

M12 sealing cap with fixing band, for sensor cables, for free M12 sockets



#### Protective cap

Sealing cap - PROT-M12 FS-PA-CHAIN - 1430873

M12 sealing cap made of plastic with fixing band, for sensor cables, for free M12 plugs



#### Safety locking

Locking clip - SAC-M12-EXCLIP-M - 1558988



Locking clip for the pin side of sensor/actuator cables with M12 connector and M12 connectors for assembly, for knurl diameter: 15 mm or for Allen key with a wrench size of 14 mm, prevents the disconnection of plug-in connections without tools

Locking clip - SAC-M12-EXCLIP-F - 1558991



Locking clip for the socket side of sensor/actuator cables with M12 connector and M12 connectors for assembly, for knurl diameter: 15 mm or for Allen key with a wrench size of 14 mm, prevents the disconnection of plug-in connections without tools

#### Screwdriver tools

Adapter insert - TSD-M SAC-BIT ADAPTER - 1212600



Adapter bit for TSD-M...torque tools, E6.3-1/4" drive with 4 mm hexagon to accommodate SAC bits

## Sensor/actuator cable - SAC-4P-M12MS/ 0,6-PUR/M12FR SH - 1500978

### Accessories

Tool - SAC BIT M12-D15 - 1208432



Nut for assembling sensor/actuator cables with M12 connector and M12 connectors for assembly, with a knurl diameter of 15 mm, for 4 mm hexagonal drive

---

### Torque tool

Torque screwdriver - TSD 04 SAC - 1208429



Torque screwdriver, with preset torque of 0.4 Nm and 4 mm hexagonal drive for M12 connectors

---

Torque screwdriver - TSD-M 1,2NM - 1212224



Torque screw driver, accuracy as per EN ISO 6789 standard, adjustable from 0.3 - 1.2 Nm

---

Phoenix Contact 2020 © - all rights reserved  
<http://www.phoenixcontact.com>

PHOENIX CONTACT GmbH & Co. KG  
Flachsmarktstr. 8  
32825 Blomberg  
Germany  
Tel. +49 5235 300  
Fax +49 5235 3 41200  
<http://www.phoenixcontact.com>

## X-ON Electronics

Largest Supplier of Electrical and Electronic Components

*Click to view similar products for [Sensor Cables / Actuator Cables](#) category:*

*Click to view products by [Phoenix Contact](#) manufacturer:*

Other Similar products are found below :

[60963](#) [60964](#) [703000D02F2002](#) [703001D02F0602](#) [703001D02F300](#) [704000D02F120](#) [773032K02F030](#) [802027107404-1](#) [802027213811-1](#)  
[804001A09M150](#) [805001A09M0502](#) [84914-0235](#) [84914-0237](#) [885030A09M020](#) [8R4J30E03C3003](#) [1200651332](#) [1200651713](#) [1200660844](#)  
[1200660845](#) [1200661173](#) [1200680071](#) [1200720053](#) [1200720081](#) [1200720099](#) [1200720217](#) [1200800231](#) [1200860125](#) [1200870123](#)  
[1200980102](#) [1200650267](#) [1200650298](#) [1200660183](#) [1200660782](#) [1200660849](#) [1200661295](#) [1200661297](#) [1200661342](#) [1200661343](#)  
[1200670080](#) [1200670220](#) [1200680331](#) [1200720252](#) [1200730184](#) [1200860344](#) [1200870359](#) [1200870643](#) [1200980008](#) [1200980031](#)  
[1210502211](#) [1210400542](#)