


Flat nut - SACC-E-MU-M16 - 1504097

Please be informed that the data shown in this PDF Document is generated from our Online Catalog. Please find the complete data in the user's documentation. Our General Terms of Use for Downloads are valid (<http://phoenixcontact.com/download>)

Flat nut with M16 thread



Key Commercial Data

Packing unit	100 pc
GTIN	 4 017918 833473
GTIN	4017918833473

Technical data

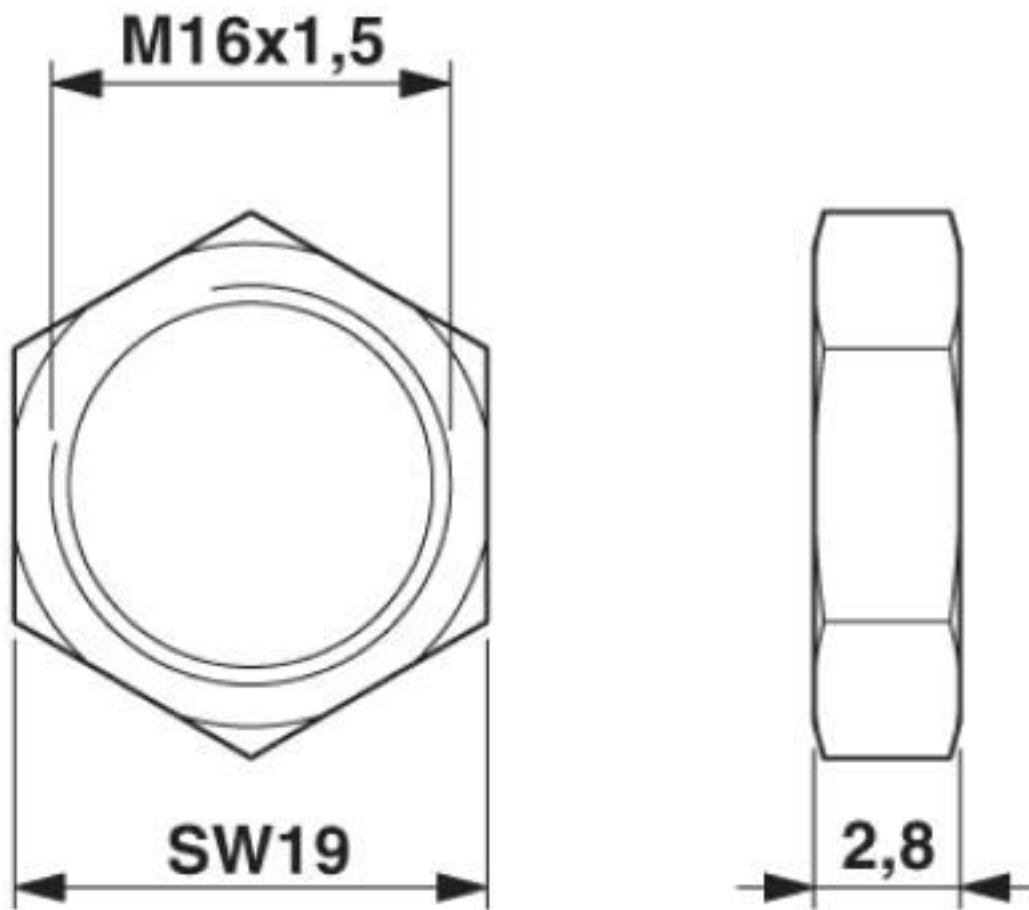
Environmental Product Compliance

REACH SVHC	Lead 7439-92-1
China RoHS	Environmentally Friendly Use Period = 50 years
	For details about hazardous substances go to tab "Downloads", Category "Manufacturer's declaration"

Drawings

Flat nut - SACC-E-MU-M16 - 1504097

Dimensional drawing



Flat nut M16

Classifications

eCl@ss

eCl@ss 10.0.1	23119212
eCl@ss 4.0	23110700
eCl@ss 4.1	23110700
eCl@ss 5.0	23110700
eCl@ss 5.1	23110700
eCl@ss 6.0	23110700
eCl@ss 7.0	23119212
eCl@ss 8.0	23119212
eCl@ss 9.0	23119212

ETIM

ETIM 2.0	EC000129
----------	----------

Flat nut - SACC-E-MU-M16 - 1504097

Classifications

ETIM

ETIM 3.0	EC000129
ETIM 4.0	EC000129
ETIM 5.0	EC000129
ETIM 6.0	EC000129
ETIM 7.0	EC000129

UNSPSC

UNSPSC 6.01	31251501
UNSPSC 7.0901	31251501
UNSPSC 11	31251501
UNSPSC 12.01	31251501
UNSPSC 13.2	31161727
UNSPSC 18.0	31161727
UNSPSC 19.0	31161727
UNSPSC 20.0	31161727
UNSPSC 21.0	31161727

Approvals


Approvals

Approvals

EAC

Ex Approvals

Approval details

EAC		B.01687
-----	---	---------

Phoenix Contact 2020 © - all rights reserved
<http://www.phoenixcontact.com>

PHOENIX CONTACT GmbH & Co. KG
Flachsmarktstr. 8
32825 Blomberg
Germany
Tel. +49 5235 300
Fax +49 5235 3 41200
<http://www.phoenixcontact.com>

X-ON Electronics

Largest Supplier of Electrical and Electronic Components

Click to view similar products for [Screws & Fasteners](#) category:

Click to view products by [Phoenix Contact](#) manufacturer:

Other Similar products are found below :

[5721-1440-1/4-SS](#) [593503FX](#) [0098.0094](#) [0098.9206](#) [0098.9219](#) [0098.9262](#) [596-2114-013](#) [59781-6](#) [0098.0026](#) [0098.9210](#) [0098.9212](#) [60227-01](#) [60227-04](#) [60227-08](#) [60687-01](#) [LOCK WASHER Black](#) [62153-11](#) [M316-KSSTMCZ100](#) [M3440-SS](#) [M3442-SS](#) [M3448-SS](#) [6292-1](#) [6-306105-9](#) [6-306131-4](#) [690432-1](#) [699161-000](#) [7230-3](#) [7244](#) [7248-1](#) [7248-2](#) [745564-1](#) [F1209](#) [751-00001](#) [7680](#) [809704-1](#) [8700](#) [8860220](#) [9047](#) [9521](#) [992326-6](#) [992763-3](#) [1-18024-0](#) [1-18028-2](#) [A168P1](#) [A495P1](#) [1-24921-1](#) [125416-1](#) [1260](#) [13-0036](#) [1301810148](#) [1301810313](#)