

# Flush-type connector - SACC-DSI-M5MS-3CON-L180 - 1530621

Please be informed that the data shown in this PDF Document is generated from our Online Catalog. Please find the complete data in the user's documentation. Our General Terms of Use for Downloads are valid (<http://phoenixcontact.com/download>)



Sensor/actuator flush-type plug, 3-pos., M5, prewall/screw mounting, with straight solder connection

## Product Description

Flush-type connector  
Rear mounting, one-piece, for wave soldering processes, 180°

## Your advantages

- Easy PCB assembly: one-piece connectors for wave soldering

## Key Commercial Data

Packing unit	20 pc
GTIN	
GTIN	4046356024426

## Technical data

### Ambient conditions

Ambient temperature (operation)	-25 °C ... 80 °C
Degree of protection	IP67

### General

Rated current at 40°C	1 A
Rated voltage	60 V
Number of positions	3
Insulation resistance	≥ 100 MΩ
Coding	A - standard
Standards/regulations	M5 connector IEC 61076-2-105
Status display	No
Overvoltage category	II
Degree of pollution	3

# Flush-type connector - SACC-DSI-M5MS-3CON-L180 - 1530621

## Technical data

### General

Test voltage	800 V
Connection method	Solder pins
Mounting type	Rear mounting M5 x 0.5 With locking nut

### Material

Flammability rating according to UL 94	HB
Contact material	Cu alloy
Contact surface material	Au
Contact carrier material	PA 6.6
Material, knurls	Nickel-plated brass
Sealing material	Viton

### Cable

Standards/specifications	M5 connector IEC 61076-2-105
--------------------------	------------------------------

### Standards and Regulations

Standards/specifications	M5 connector IEC 61076-2-105
Flammability rating according to UL 94	HB

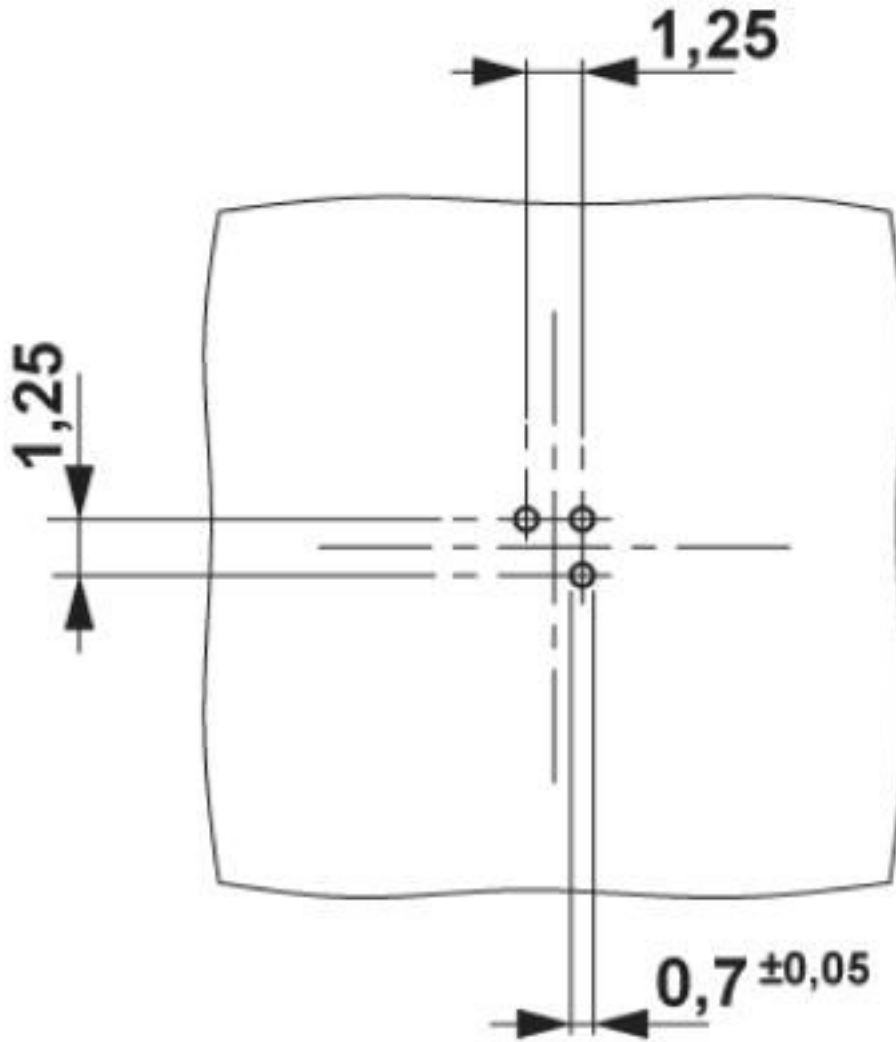
### Environmental Product Compliance

REACH SVHC	Lead 7439-92-1
China RoHS	Environmentally Friendly Use Period = 25;
	For details about hazardous substances go to tab "Downloads", Category "Manufacturer's declaration"

## Drawings

# Flush-type connector - SACC-DSI-M5MS-3CON-L180 - 1530621

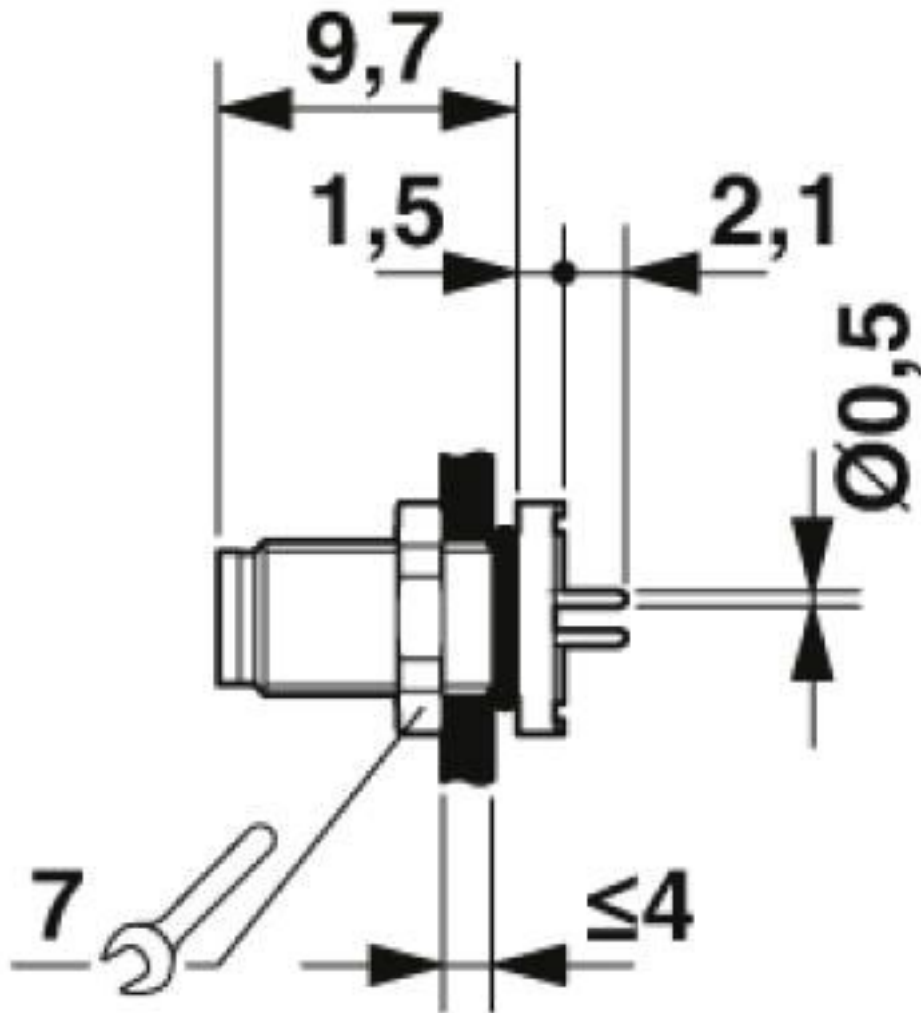
Drilling diagram



M5 flush-type plug

# Flush-type connector - SACC-DSI-M5MS-3CON-L180 - 1530621

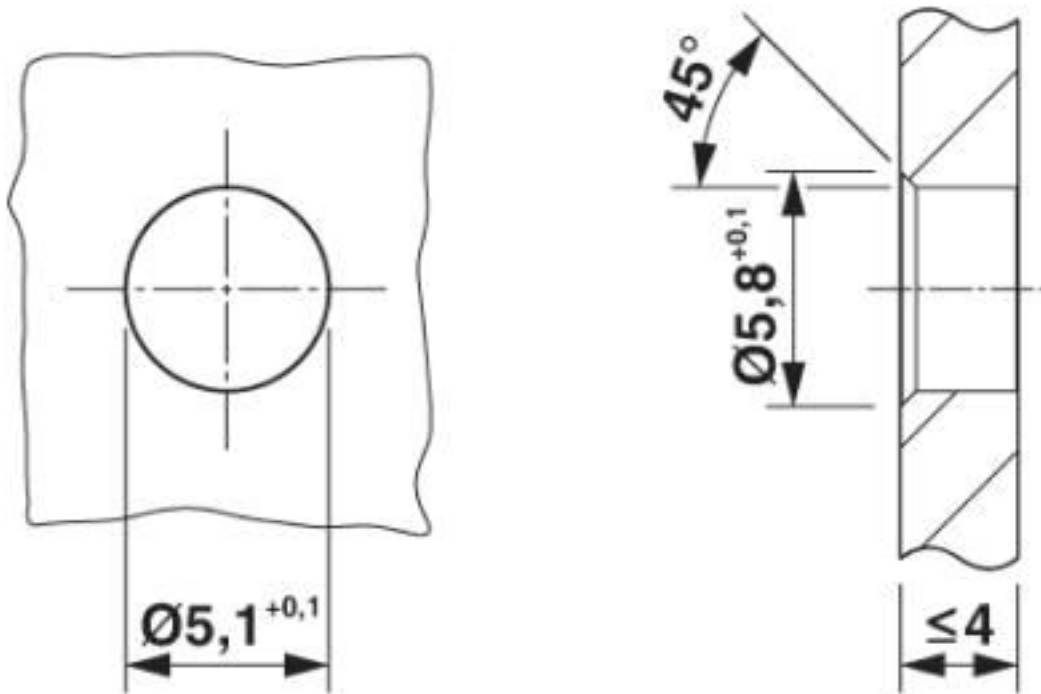
Dimensional drawing



M5 flush-type plug

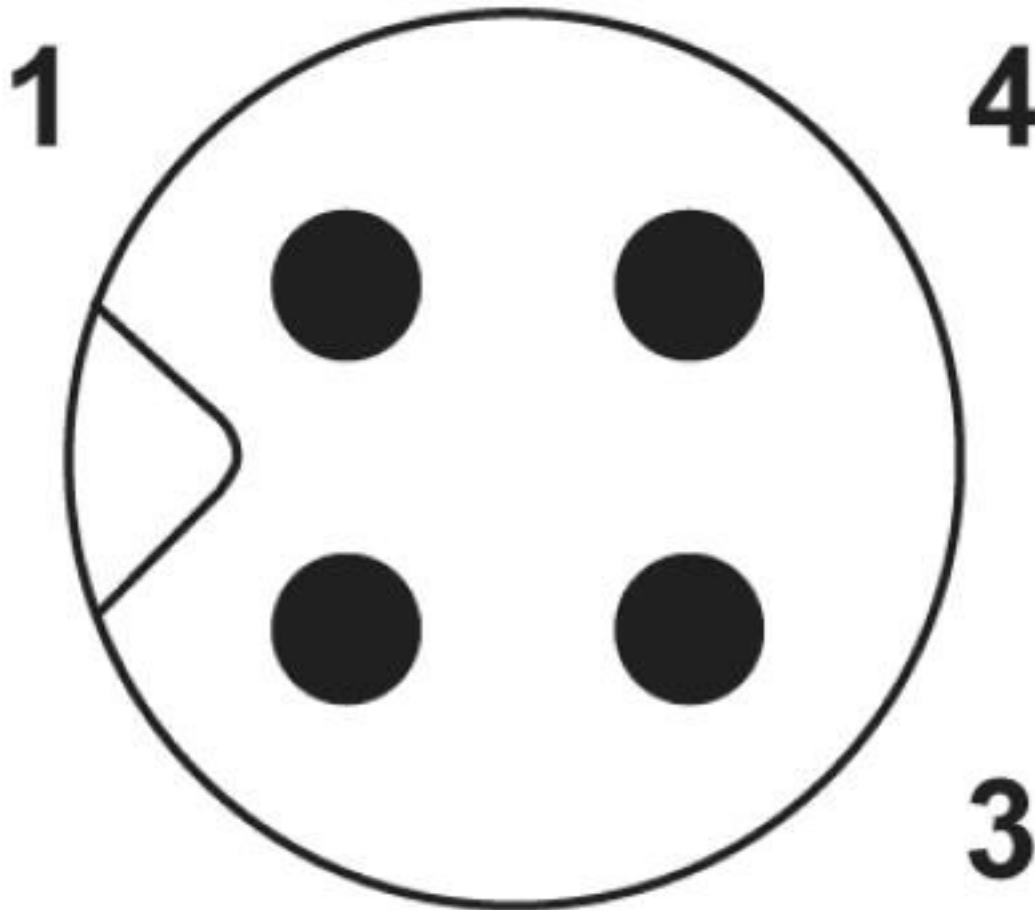
# Flush-type connector - SACC-DSI-M5MS-3CON-L180 - 1530621

Dimensional drawing



# Flush-type connector - SACC-DSI-M5MS-3CON-L180 - 1530621

Schematic diagram



Pin assignment M5 plug, 3-pos., view male side

## Classifications

eCl@ss

eCl@ss 10.0.1	27440102
eCl@ss 4.0	27140800
eCl@ss 4.1	27140800
eCl@ss 5.0	27143400
eCl@ss 5.1	27143400
eCl@ss 6.0	27279200
eCl@ss 7.0	27440103
eCl@ss 8.0	27440103
eCl@ss 9.0	27440102

ETIM

ETIM 2.0	EC001297
----------	----------

# Flush-type connector - SACC-DSI-M5MS-3CON-L180 - 1530621

## Classifications

### ETIM

ETIM 3.0	EC002061
ETIM 4.0	EC002062
ETIM 5.0	EC002061
ETIM 6.0	EC002061

### UNSPSC

UNSPSC 6.01	31251501
UNSPSC 7.0901	31251501
UNSPSC 11	31251501
UNSPSC 12.01	31251501
UNSPSC 13.2	39121413
UNSPSC 18.0	39121413
UNSPSC 19.0	39121413
UNSPSC 20.0	39121413
UNSPSC 21.0	39121413

## Approvals

### Approvals

---

Approvals

EAC

---

Ex Approvals

---

### Approval details

EAC		B.01687
-----	--	---------

## Accessories

### Accessories

Circular connectors (device side)

## Flush-type connector - SACC-DSI-M5MS-3CON-L180 - 1530621

### Accessories

Flat nut - SACC-E-MU-M 5 - 1535901



Flat nut with M5 thread

---

Phoenix Contact 2020 © - all rights reserved  
<http://www.phoenixcontact.com>

PHOENIX CONTACT GmbH & Co. KG  
Flachsmarktstr. 8  
32825 Blomberg  
Germany  
Tel. +49 5235 300  
Fax +49 5235 3 41200  
<http://www.phoenixcontact.com>



## X-ON Electronics

Largest Supplier of Electrical and Electronic Components

*Click to view similar products for [Circular Metric Connectors](#) category:*

*Click to view products by [Phoenix Contact](#) manufacturer:*

Other Similar products are found below :

[600X518037X](#) [6STD15PCR99B70A](#) [8R4000A16M020](#) [8R5000A16M005](#) [1200910002](#) [1203580030](#) [1200910008](#) [1200910011](#) [1300140094](#)  
[130203-0054](#) [1300140026](#) [1300150099](#) [RF-12S1N8A90DU](#) [1-3637-600-5205](#) [1612618](#) [21036836414](#) [8R4006A16M010](#) [1604232](#)  
[1R3006A20M005](#) [RF-12P1N8A90DU](#) [41-40011](#) [42-00006](#) [42-01015](#) [4-22279-4](#) [4-22281-1](#) [4-22284-9](#) [43-00113](#) [43-01088](#) [43-01203](#) [41-](#)  
[40013](#) [42-00008](#) [43-00343](#) [43-01026](#) [43-01162](#) [43-01173](#) [43-10000](#) [XS3P-M421-2](#) [600X518050X](#) [SACC-DSI-FS-5P-PG9-L180 SC](#)  
[8R5006A16M020](#) [8R5006A16M005](#) [8R4000A16M010](#) [6-22279-3](#) [1605332](#) [N03FA03144](#) [1300140077](#) [43-16213](#) [43-01338](#) [XS2RD4265](#)  
[XS2R-D426-1](#)