

## Flush-type connector - SACC-DSI-M5FS-3CON-L180 - 1530647

Please be informed that the data shown in this PDF Document is generated from our Online Catalog. Please find the complete data in the user's documentation. Our General Terms of Use for Downloads are valid (<http://phoenixcontact.com/download>)



Sensor/actuator flush-type socket, 3-pos., M5, prewall/screw mounting, with straight solder connection

### Your advantages

- ✓ Easy PCB assembly: one-piece connectors for wave soldering

### Key Commercial Data

|              |               |
|--------------|---------------|
| Packing unit | 20 pc         |
| GTIN         |               |
| GTIN         | 4046356024440 |

### Technical data

#### Ambient conditions

|                                 |                  |
|---------------------------------|------------------|
| Ambient temperature (operation) | -25 °C ... 80 °C |
| Degree of protection            | IP67             |

#### General

|                       |   |
|-----------------------|---|
| Rated current at 40°C | 1 A                                     |
| Rated voltage         | 60 V                                    |
| Number of positions   | 3                                       |
| Insulation resistance | ≥ 100 MΩ                                |
| Coding                | A - standard                            |
| Standards/regulations | M5 connector IEC 61076-2-105            |
| Status display        | No                                      |
| Overvoltage category  | II                                      |
| Degree of pollution   | 3                                       |
| Test voltage          | 800 V                                   |
| Connection method     | Solder pins                             |
| Mounting type         | Rear mounting M5 x 0.5 With locking nut |

# Flush-type connector - SACC-DSI-M5FS-3CON-L180 - 1530647

## Technical data

### Material

|  |                     |
|--|---------------------|
| Flammability rating according to UL 94 | HB                  |
| Contact material                       | CuSn                |
| Contact surface material               | Au                  |
| Contact carrier material               | PA 6.6              |
| Material, knurls                       | Nickel-plated brass |
| Sealing material                       | Viton               |

### Cable

|                          |                              |
|--------------------------|------------------------------|
| Standards/specifications | M5 connector IEC 61076-2-105 |
|--------------------------|------------------------------|

### Standards and Regulations

|  |                              |
|--|------------------------------|
| Standards/specifications               | M5 connector IEC 61076-2-105 |
| Flammability rating according to UL 94 | HB                           |

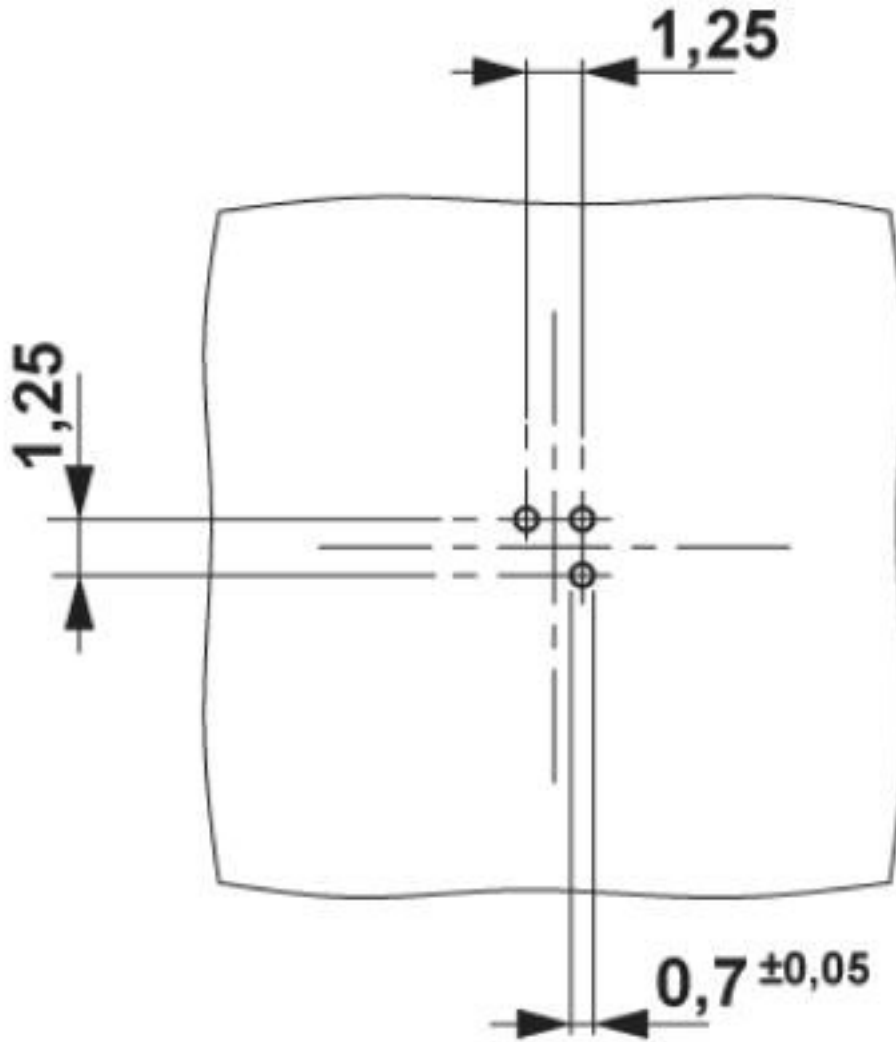
### Environmental Product Compliance

|            |   |
|------------|---|
| REACH SVHC | Lead 7439-92-1  |
| China RoHS | Environmentally Friendly Use Period = 25;   |
|            | For details about hazardous substances go to tab "Downloads", Category "Manufacturer's declaration" |

## Drawings

# Flush-type connector - SACC-DSI-M5FS-3CON-L180 - 1530647

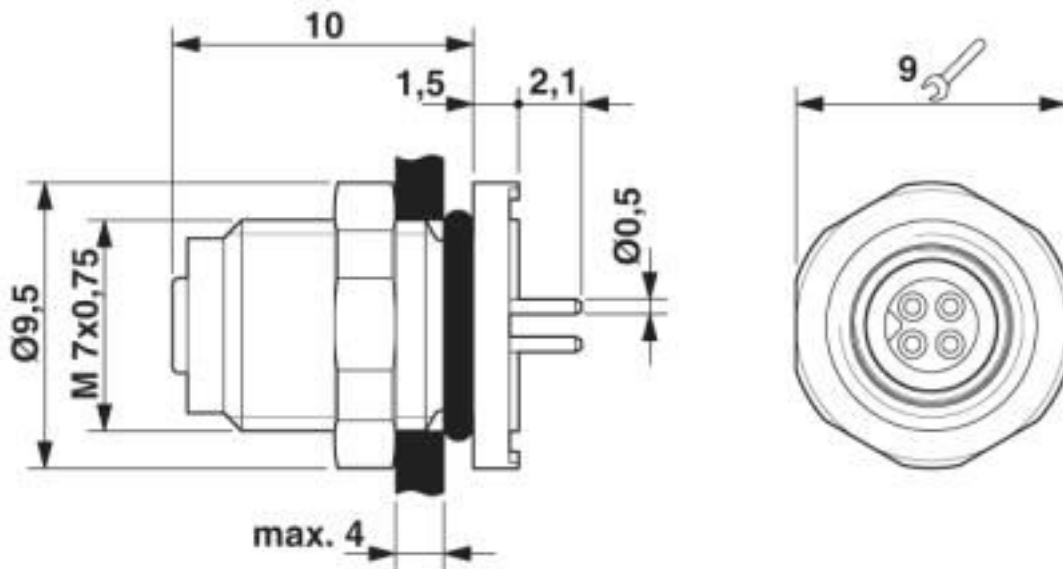
Drilling diagram



M5 flush-type socket

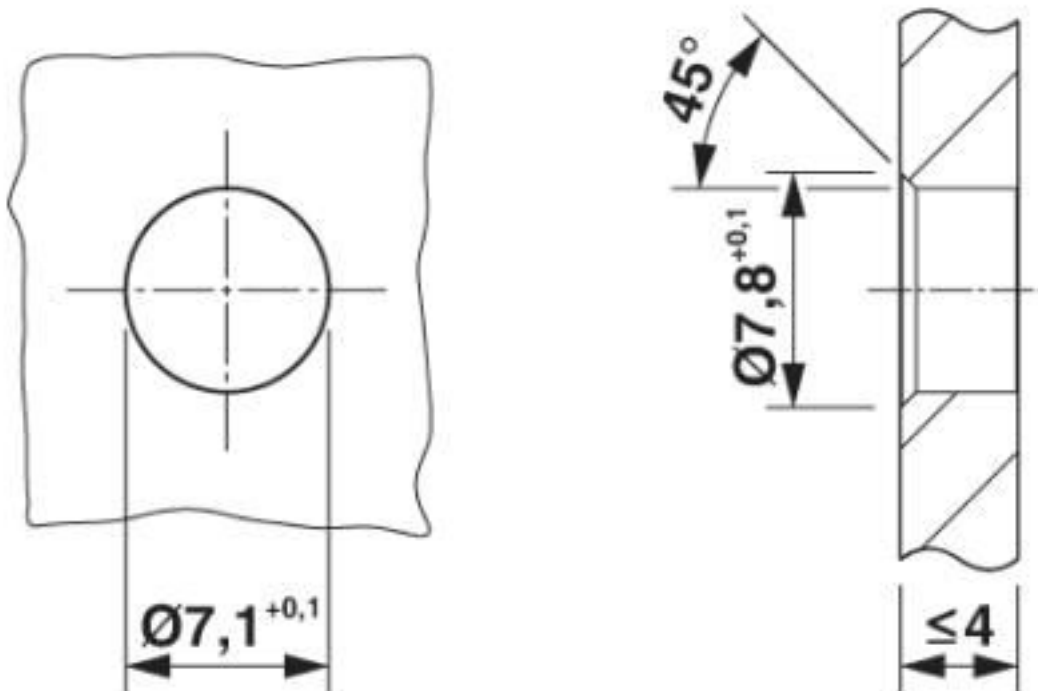
# Flush-type connector - SACC-DSI-M5FS-3CON-L180 - 1530647

Dimensional drawing



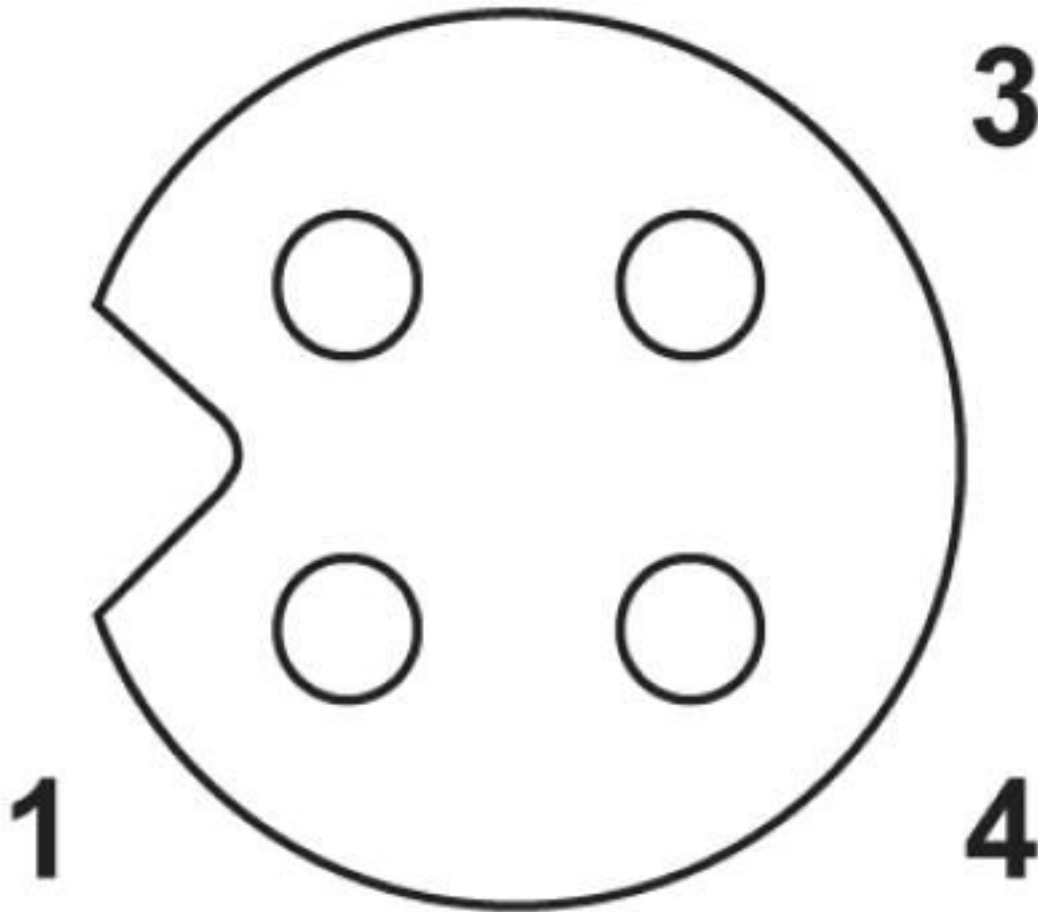
M5 flush-type socket

Dimensional drawing



# Flush-type connector - SACC-DSI-M5FS-3CON-L180 - 1530647

Schematic diagram



Pin assignment M5 socket, 3-pos., D-coded, view female side

## Classifications

eCl@ss

|               |          |
|---------------|----------|
| eCl@ss 10.0.1 | 27440102 |
| eCl@ss 4.0    | 27140800 |
| eCl@ss 4.1    | 27140800 |
| eCl@ss 5.0    | 27143400 |
| eCl@ss 5.1    | 27143400 |
| eCl@ss 6.0    | 27279200 |
| eCl@ss 7.0    | 27440103 |
| eCl@ss 8.0    | 27440103 |
| eCl@ss 9.0    | 27440102 |

ETIM

|          |          |
|----------|----------|
| ETIM 2.0 | EC001297 |
|----------|----------|

# Flush-type connector - SACC-DSI-M5FS-3CON-L180 - 1530647

## Classifications

### ETIM

|          |          |
|----------|----------|
| ETIM 3.0 | EC002061 |
| ETIM 4.0 | EC002062 |
| ETIM 5.0 | EC002061 |
| ETIM 6.0 | EC002061 |

### UNSPSC

|               |          |
|---------------|----------|
| UNSPSC 6.01   | 31251501 |
| UNSPSC 7.0901 | 31251501 |
| UNSPSC 11     | 31251501 |
| UNSPSC 12.01  | 31251501 |
| UNSPSC 13.2   | 39121413 |
| UNSPSC 18.0   | 39121413 |
| UNSPSC 19.0   | 39121413 |
| UNSPSC 20.0   | 39121413 |
| UNSPSC 21.0   | 39121413 |

## Approvals

### Approvals

---

Approvals


EAC

---

Ex Approvals

---

### Approval details

|     |   |         |
|-----|---|---------|
| EAC |  | B.01687 |
|-----|---|---------|

## Accessories

### Accessories

Circular connectors (device side)

## Flush-type connector - SACC-DSI-M5FS-3CON-L180 - 1530647

### Accessories

Flat nut - SACC-E-MU-M 5 - 1535901



Flat nut with M5 thread

---

Phoenix Contact 2020 © - all rights reserved  
<http://www.phoenixcontact.com>

PHOENIX CONTACT GmbH & Co. KG  
Flachsmarktstr. 8  
32825 Blomberg  
Germany  
Tel. +49 5235 300  
Fax +49 5235 3 41200  
<http://www.phoenixcontact.com>

## X-ON Electronics

Largest Supplier of Electrical and Electronic Components

*Click to view similar products for [Circular Metric Connectors](#) category:*

*Click to view products by [Phoenix Contact](#) manufacturer:*

Other Similar products are found below :

[600X518037X](#) [6STD15PCR99B70A](#) [8R4000A16M020](#) [8R5000A16M005](#) [1200910002](#) [1203580030](#) [1200910008](#) [1200910011](#) [1300140094](#)  
[130203-0054](#) [1300140026](#) [1300150099](#) [RF-12S1N8A90DU](#) [1-3637-600-5205](#) [1612618](#) [21036836414](#) [8R4006A16M010](#) [1604232](#)  
[1R3006A20M005](#) [RF-12P1N8A90DU](#) [41-40011](#) [42-00006](#) [42-01015](#) [4-22279-4](#) [4-22281-1](#) [4-22284-9](#) [43-00113](#) [43-01088](#) [43-01203](#) [41-](#)  
[40013](#) [42-00008](#) [43-00343](#) [43-01026](#) [43-01162](#) [43-01173](#) [43-10000](#) [XS3P-M421-2](#) [600X518050X](#) [SACC-DSI-FS-5P-PG9-L180 SC](#)  
[8R5006A16M020](#) [8R5006A16M005](#) [8R4000A16M010](#) [6-22279-3](#) [1605332](#) [N03FA03144](#) [1300140077](#) [43-16213](#) [43-01338](#) [XS2RD4265](#)  
[XS2R-D426-1](#)