

Bus system cable - SAC-4P-M 8MS/10,0-950/M 8FS - 1543375

Please be informed that the data shown in this PDF Document is generated from our Online Catalog. Please find the complete data in the user's documentation. Our General Terms of Use for Downloads are valid (<http://phoenixcontact.com/download>)



Bus system cable, INTERBUS, 4-position, PUR halogen-free, black RAL 9005, shielded, Plug straight M8, on Socket straight M8, cable length: 10 m

Your advantages

- System cable for supply voltage and bus signal
- Power cable for actuator voltage

Key Commercial Data

| | |
|--------------|---------------|
| Packing unit | 1 pc |
| GTIN | |
| GTIN | 4046356097536 |

Technical data

Dimensions

| | |
|-----------------|------|
| Length of cable | 10 m |
|-----------------|------|

Ambient conditions

| | |
|---------------------------------|----------------------------------|
| Ambient temperature (operation) | -25 °C ... 90 °C (Plug / socket) |
| Degree of protection | IP65 |
| | IP67 |

General

| | |
|-----------------------|--------------|
| Rated current at 40°C | 4 A |
| Rated voltage | 48 V AC |
| | 60 V DC |
| Number of positions | 4 |
| Color handle area | black |
| Insulation resistance | ≥ 100 MΩ |
| Coding | A - standard |

Bus system cable - SAC-4P-M 8MS/10,0-950/M 8FS - 1543375

Technical data

General

| | |
|----------------------|------------------------|
| Signal type/category | INTERBUS |
| Status display | No |
| Overvoltage category | II |
| Degree of pollution | 3 |
| Test voltage | 800 V |
| Torque | 0.2 Nm (M8 connectors) |

Material

| | |
|--|---|
| Flammability rating according to UL 94 | HB |
| Contact material | CuSn |
| Contact surface material | Ni/Au |
| Contact carrier material | TPU GF |
| Material of grip body | TPU, hardly inflammable, self-extinguishing |
| Material, knurls | Zinc die-cast, nickel-plated |
| Sealing material | NBR |

Pin assignment

| | |
|---|--|
| Contact Color (signal designation) Contact (optional) | 1 (Plug) RD (0.34 mm ²) 1 (Socket) |
| | 3 (Plug) BU (0.34 mm ²) 3 (Socket) |
| | 2 (Plug) YE (0.14 mm ²) 2 (Socket) |
| | 4 (Plug) GN (0.14 mm ²) 4 (Socket) |

Standards and Regulations

| | |
|--|----|
| Flammability rating according to UL 94 | HB |
|--|----|

Cable

| | |
|-------------------------------------|--|
| Cable type | INTERBUS |
| Cable type (abbreviation) | 950 |
| UL AWM style | 20963 (80°C/30 V) |
| Cable structure | 2xAWG26/19+2xAWG22/19 |
| Conductor cross section | 2x 0.14 mm ² (Signal line) |
| | 2x 0.34 mm ² (Power supply) |
| | 1x 0.38 mm ² (Drain wire) |
| AWG signal line | 26 |
| AWG power supply | 22 |
| Conductor structure signal line | 19x 0.10 mm |
| Conductor structure, voltage supply | 19x 0.15 mm |
| Core diameter including insulation | 0.97 mm (Signal line) |
| | 1.25 mm (Power supply) |
| Thickness, insulation | 0.24 mm (Conductor insulation, signal line) |
| | 0.25 mm (Conductor insulation, voltage supply) |
| Wire colors | red-blue, green-yellow |
| Twisted pairs | 2 cores to the pair |

Bus system cable - SAC-4P-M 8MS/10,0-950/M 8FS - 1543375

Technical data

Cable

| | |
|---|---|
| Type of pair shielding | Aluminum-lined polyester foil |
| Overall twist | 2 pairs around a drain wire in the center to the core |
| Shielding | Tinned copper braided shield |
| Optical shield covering | 85 % |
| External sheath, color | black RAL 9005 |
| Outer sheath thickness | approx. 0.75 mm |
| External cable diameter D | 5.2 mm ±0.2 mm |
| Minimum bending radius, fixed installation | 5 x D |
| Minimum bending radius, flexible installation | 7.5 x D |
| Number of bending cycles | 1000000 |
| Bending radius | 110 mm |
| Traversing path | 6 m |
| Traversing rate | 4 m/s |
| Acceleration | 4 m/s ² |
| Cable weight | 41 kg/km |
| Outer sheath, material | PUR |
| Material conductor insulation | PP |
| Conductor material | Tin-plated Cu litz wires |
| Insulation resistance | ≥ 20 MΩ*km |
| Conductor resistance | ≤ 150 Ω/km (Signal line) |
| | ≤ 58 Ω/km (Power supply) |
| Wave impedance | 75 Ω ±10 Ω (Signal line) |
| | 55 Ω ±10 Ω (Power supply) |
| Nominal voltage, cable | ≤ 100 V |
| Test voltage Core/Core | 1000 V (50 Hz, 1 min.) |
| Test voltage Core/Shield | 1000 V (50 Hz, 1 min.) |
| Ambient temperature (operation) | -40 °C ... 80 °C (cable, fixed installation) |
| | -40 °C ... 80 °C (cable, flexible installation) |

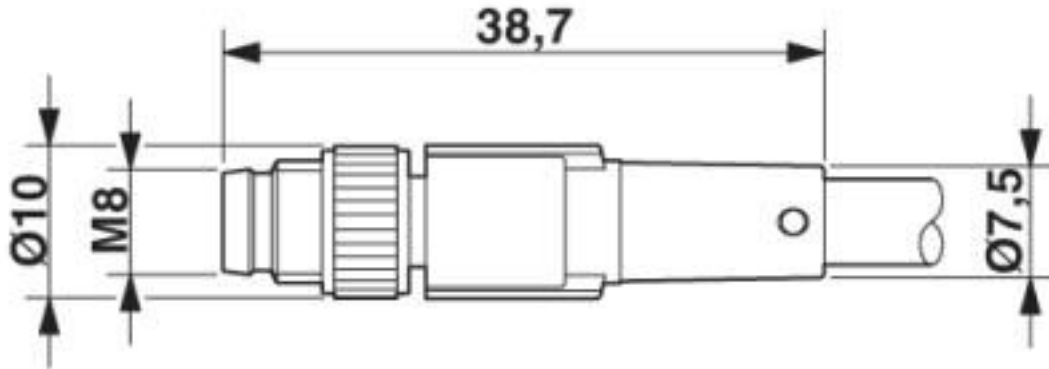
Environmental Product Compliance

| | |
|------------|---|
| REACH SVHC | Lead 7439-92-1 |
| China RoHS | Environmentally Friendly Use Period = 50 years |
| | For details about hazardous substances go to tab "Downloads", Category "Manufacturer's declaration" |

Drawings

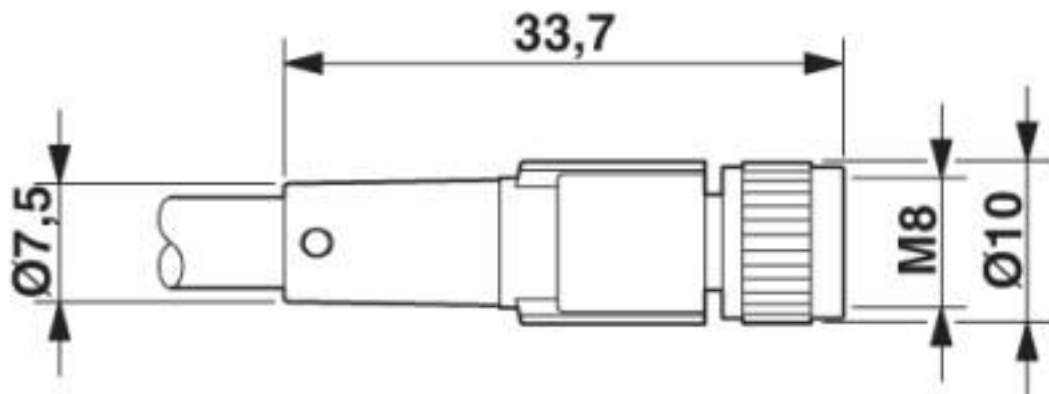
Bus system cable - SAC-4P-M 8MS/10,0-950/M 8FS - 1543375

Dimensional drawing



Plug M8 x 1, straight, shielded

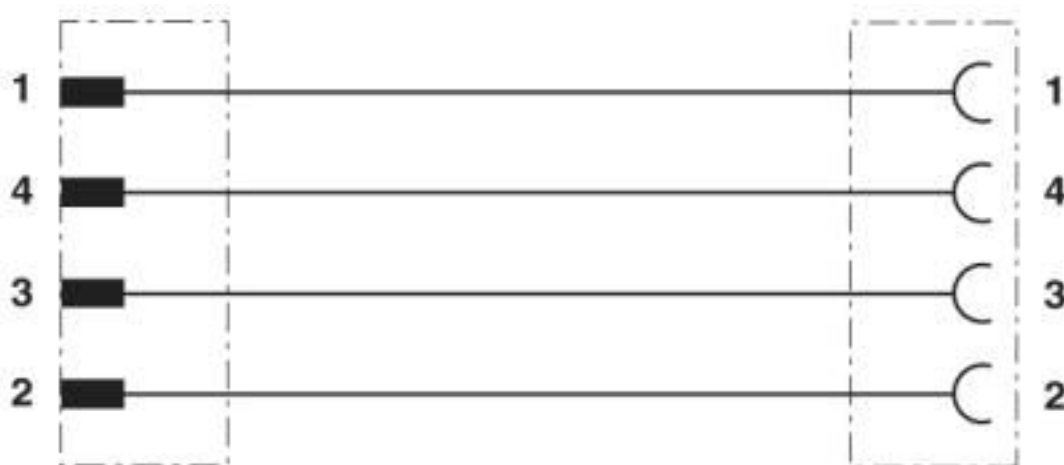
Dimensional drawing



Socket M8 x 1, straight, shielded

Bus system cable - SAC-4P-M 8MS/10,0-950/M 8FS - 1543375

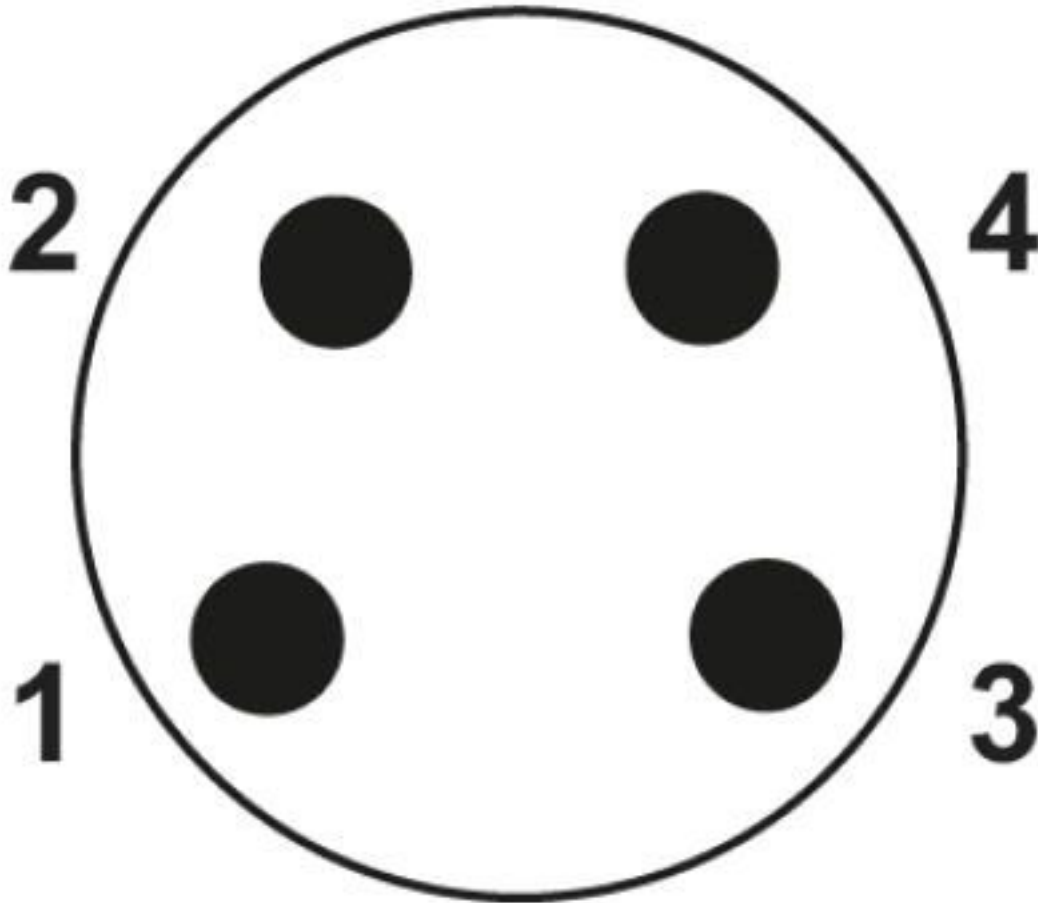
Circuit diagram



Contact assignment of M8 plugs/sockets

Bus system cable - SAC-4P-M 8MS/10,0-950/M 8FS - 1543375

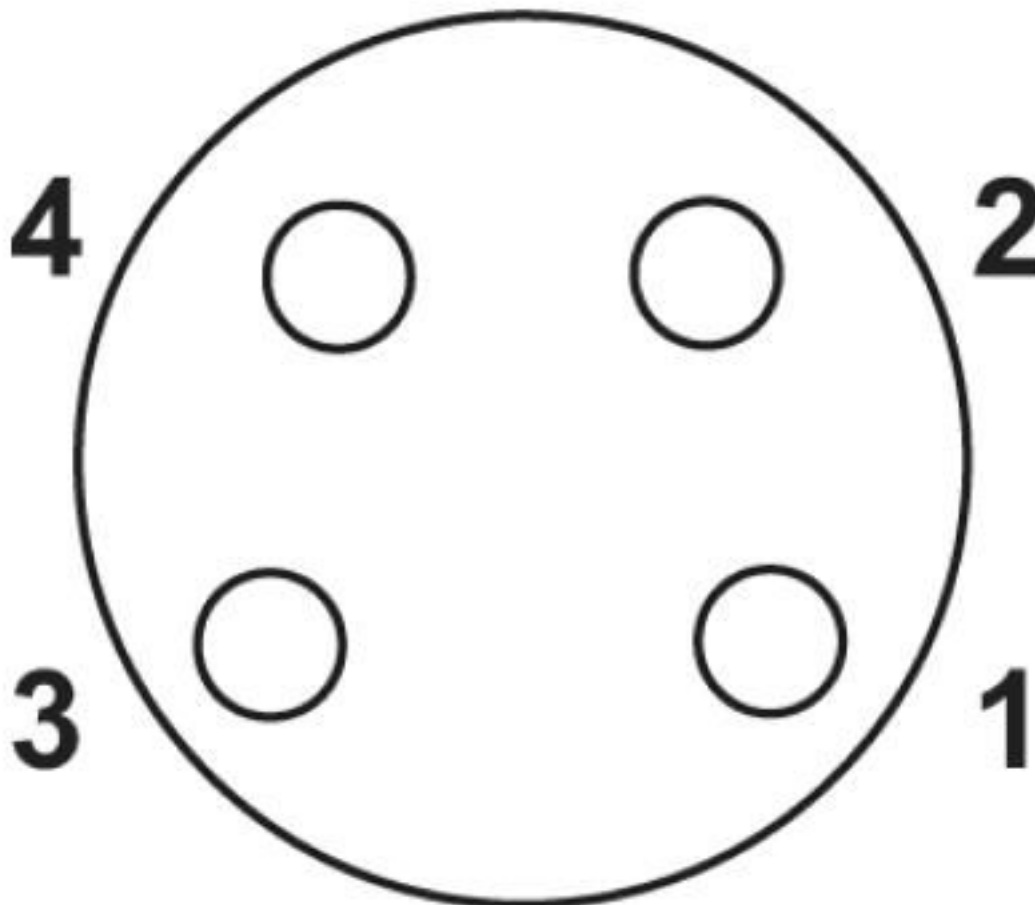
Schematic diagram



Pin assignment M8 plug, 4-pos., view male side

Bus system cable - SAC-4P-M 8MS/10,0-950/M 8FS - 1543375

Schematic diagram



Pin assignment M8 socket, 4-pos., view female side

Classifications

eCl@ss

| | |
|---------------|----------|
| eCl@ss 10.0.1 | 27060308 |
| eCl@ss 4.0 | 27060300 |
| eCl@ss 4.1 | 27060300 |
| eCl@ss 5.0 | 27061800 |
| eCl@ss 5.1 | 27061800 |
| eCl@ss 6.0 | 27279200 |
| eCl@ss 7.0 | 27279218 |
| eCl@ss 8.0 | 27279218 |
| eCl@ss 9.0 | 27060308 |

ETIM

| | |
|----------|----------|
| ETIM 3.0 | EC001855 |
|----------|----------|

Bus system cable - SAC-4P-M 8MS/10,0-950/M 8FS - 1543375

Classifications

ETIM

| | |
|----------|----------|
| ETIM 4.0 | EC001855 |
| ETIM 5.0 | EC002599 |
| ETIM 6.0 | EC001262 |
| ETIM 7.0 | EC001262 |

UNSPSC

| | |
|---------------|----------|
| UNSPSC 6.01 | 31251501 |
| UNSPSC 7.0901 | 31251501 |
| UNSPSC 11 | 31251501 |
| UNSPSC 12.01 | 31251501 |
| UNSPSC 13.2 | 31251501 |
| UNSPSC 18.0 | 26121604 |
| UNSPSC 19.0 | 26121604 |
| UNSPSC 20.0 | 26121604 |
| UNSPSC 21.0 | 26121604 |

Approvals

Approvals

Approvals

EAC-RoHS / EAC

Ex Approvals

Approval details

| | | |
|----------|--|--------------------------|
| EAC-RoHS | | RU D- DE.HB35.B.00387 |
|----------|--|--------------------------|

| | | |
|-----|--|--------------------------|
| EAC | | RU C- DE.BL08.B.00286 |
|-----|--|--------------------------|

Phoenix Contact 2020 © - all rights reserved
<http://www.phoenixcontact.com>

PHOENIX CONTACT GmbH & Co. KG
Flachsmarktstr. 8
32825 Blomberg
Germany
Tel. +49 5235 300
Fax +49 5235 3 41200
<http://www.phoenixcontact.com>

X-ON Electronics

Largest Supplier of Electrical and Electronic Components

Click to view similar products for [Sensor Cables / Actuator Cables](#) category:

Click to view products by [Phoenix Contact](#) manufacturer:

Other Similar products are found below :

[60963](#) [60964](#) [703000D02F2002](#) [703001D02F0602](#) [703001D02F300](#) [704000D02F120](#) [773032K02F030](#) [802027107404-1](#) [802027213811-1](#)
[804001A09M150](#) [805001A09M0502](#) [84914-0235](#) [84914-0237](#) [885030A09M020](#) [8R4J30E03C3003](#) [1200651332](#) [1200651713](#) [1200660844](#)
[1200660845](#) [1200661173](#) [1200680071](#) [1200720053](#) [1200720081](#) [1200720099](#) [1200720217](#) [1200800231](#) [1200860125](#) [1200870123](#)
[1200980102](#) [1200650267](#) [1200650298](#) [1200660183](#) [1200660782](#) [1200660849](#) [1200661295](#) [1200661297](#) [1200661342](#) [1200661343](#)
[1200670080](#) [1200670220](#) [1200680331](#) [1200720252](#) [1200730184](#) [1200860344](#) [1200870359](#) [1200870643](#) [1200980008](#) [1200980031](#)
[1210502211](#) [1210400542](#)