

# Panel feed-through - SACC-DSIV-MS-8CON-L180 SCO THR - 1551765


Please be informed that the data shown in this PDF Document is generated from our Online Catalog. Please find the complete data in the user's documentation. Our General Terms of Use for Downloads are valid (<http://phoenixcontact.com/download>)



Sensor/actuator flush-type connector, connector, 8-pos., M12 SPEEDCON, A-coded, rear/screw mounting with M12 thread, with straight THR solder connection



## Key Commercial Data

|                        |   |
|------------------------|---|
| Packing unit           | 60 pc   |
| Minimum order quantity | 60 pc   |
| GTIN                   | <br>4 046356 162067 |
| GTIN                   | 4046356162067   |

## Technical data

### Ambient conditions

|                                 |                         |
|---------------------------------|-------------------------|
| Ambient temperature (operation) | -25 °C ... 85 °C (Plug) |
| Degree of protection            | IP67                    |

### General

|                       |                                     |
|-----------------------|-------------------------------------|
| Rated current at 40°C | 2 A                                 |
| Rated voltage         | 30 V                                |
| Number of positions   | 8                                   |
| Insulation resistance | ≥ 100 MΩ                            |
| Coding                | A - standard                        |
| Status display        | No                                  |
| Overvoltage category  | II                                  |
| Degree of pollution   | 3                                   |
| Connection method     | THR solder connection               |
| Mounting type         | Rear mounting M12 x 1 With flat nut |

### Material

|  |      |
|--|------|
| Flammability rating according to UL 94 | V0   |
| Contact material                       | CuZn |

## Panel feed-through - SACC-DSIV-MS-8CON-L180 SCO THR - 1551765

### Technical data

#### Material

|                          |                              |
|--------------------------|------------------------------|
| Contact surface material | Au                           |
| Contact carrier material | PPA                          |
| Material, knurls         | Zinc die-cast, nickel-plated |
| Sealing material         | FKM / EPDM                   |

#### Standards and Regulations

|  |    |
|--|----|
| Flammability rating according to UL 94 | V0 |
|--|----|

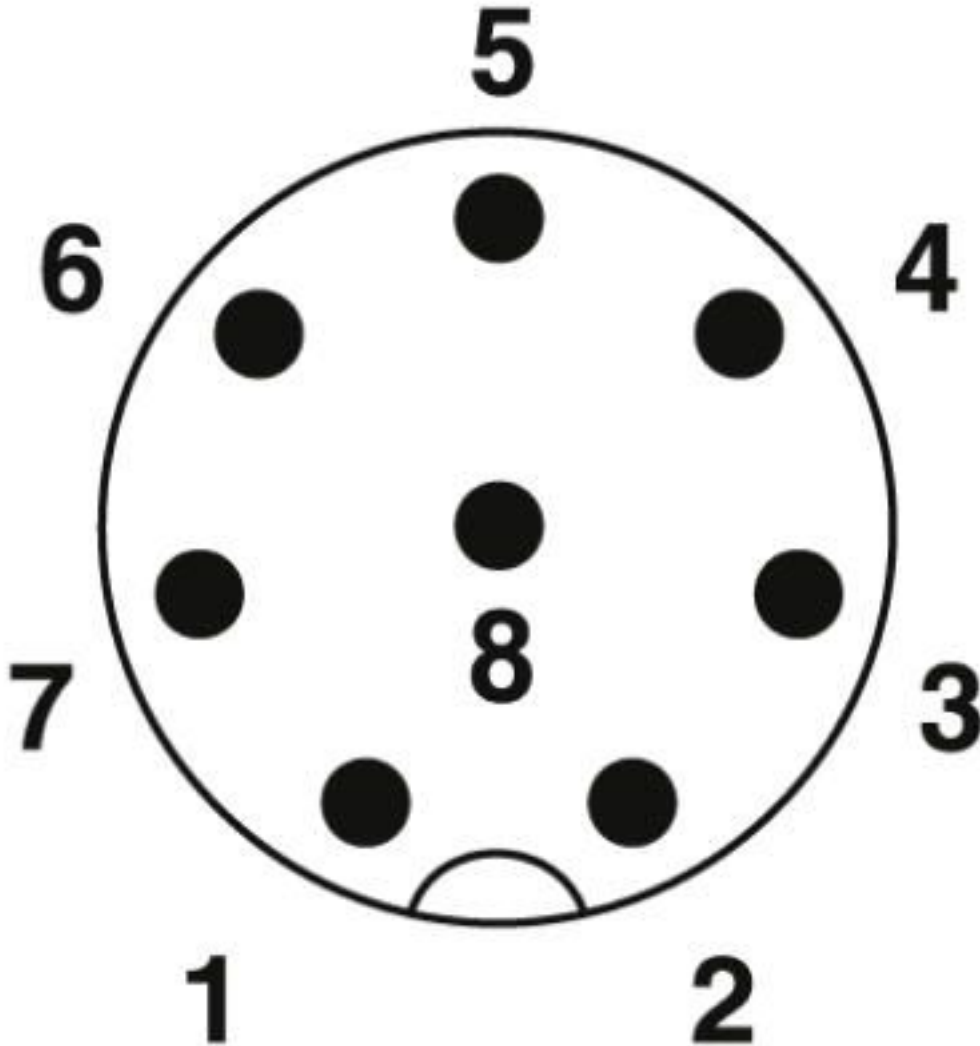
#### Environmental Product Compliance

|            |   |
|------------|---|
| REACH SVHC | Lead 7439-92-1  |
| China RoHS | Environmentally Friendly Use Period = 50 years  |
|            | For details about hazardous substances go to tab "Downloads", Category "Manufacturer's declaration" |

### Drawings

# Panel feed-through - SACC-DSIV-MS-8CON-L180 SCO THR - 1551765

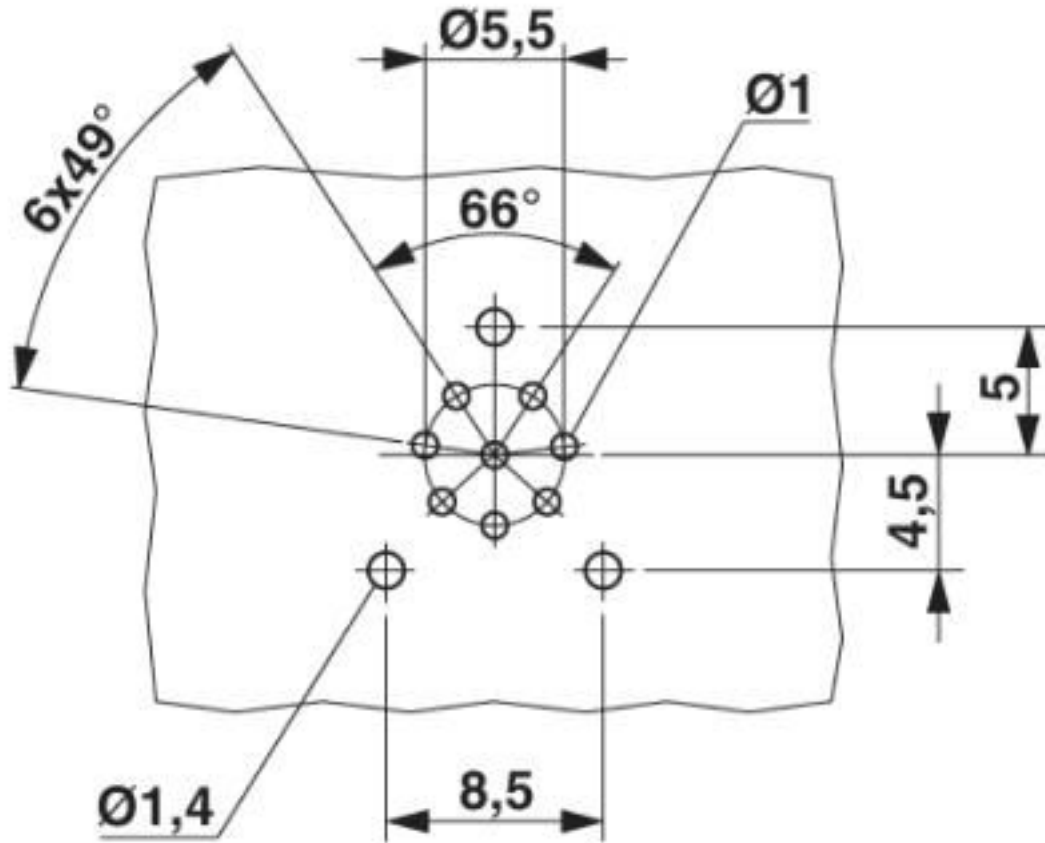
Schematic diagram



Pin assignment M12 plug, 8-pos., view plug side

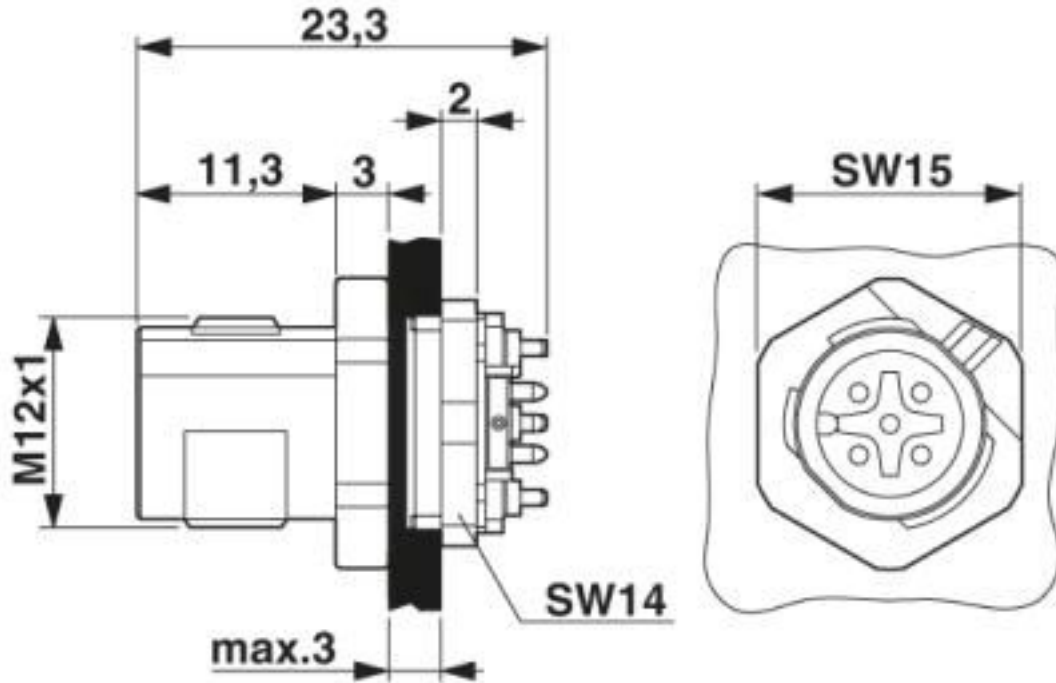
# Panel feed-through - SACC-DSIV-MS-8CON-L180 SCO THR - 1551765

Drilling diagram



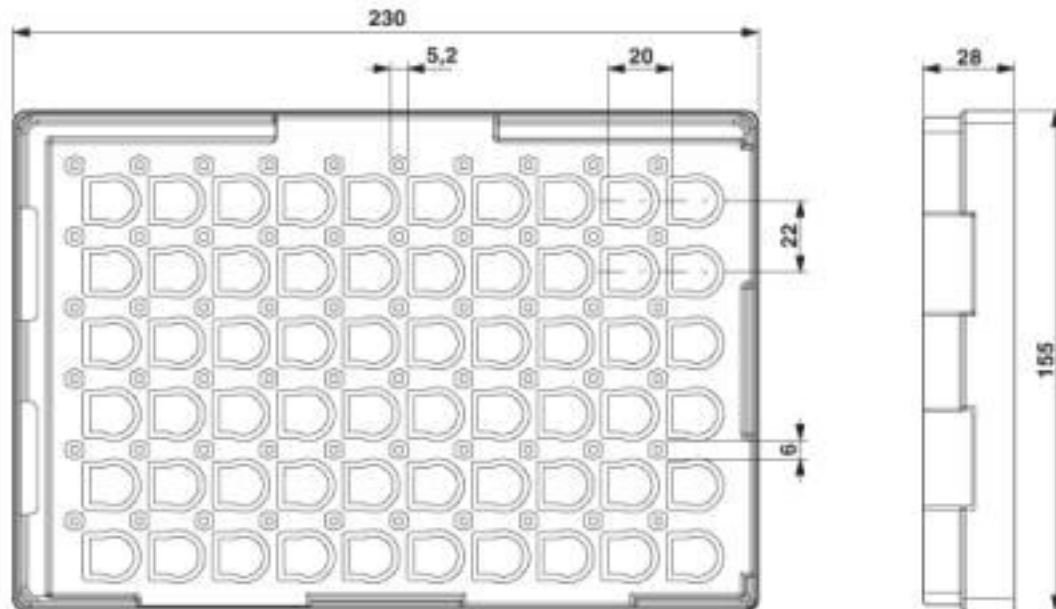
# Panel feed-through - SACC-DSIV-MS-8CON-L180 SCO THR - 1551765

Dimensional drawing



M12 flush-type connector

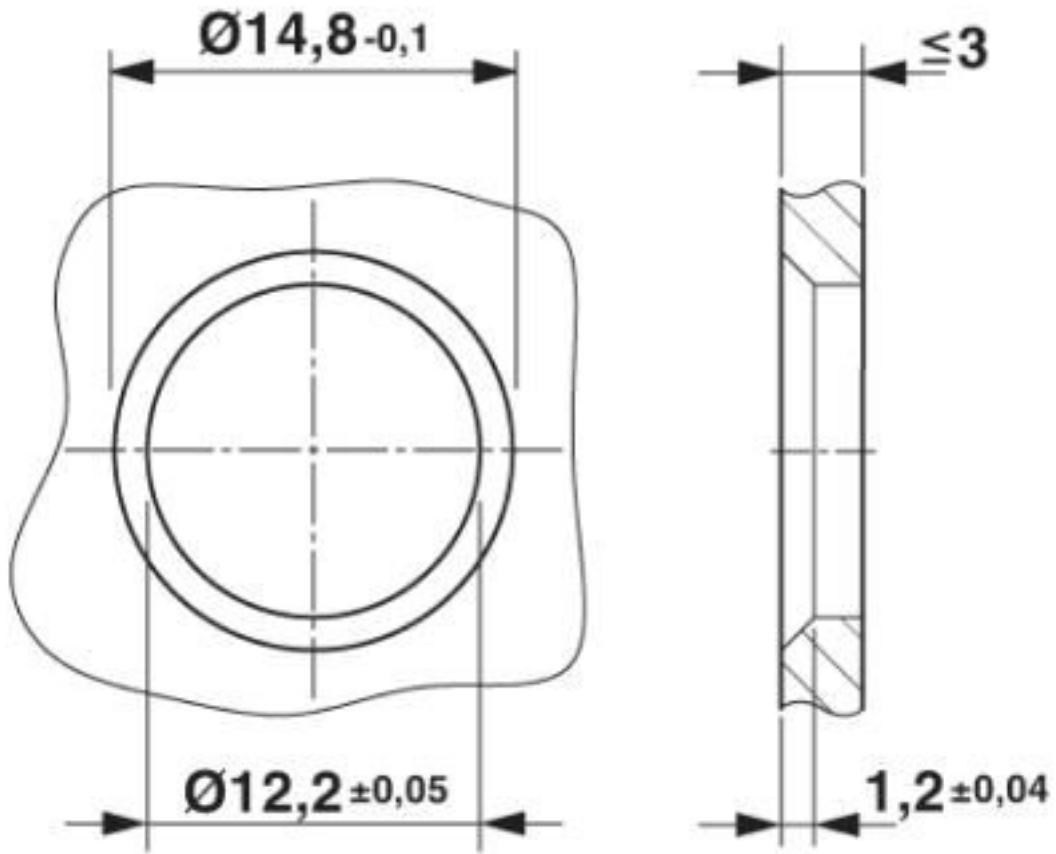
Dimensional drawing



THR tray packaging

# Panel feed-through - SACC-DSIV-MS-8CON-L180 SCO THR - 1551765

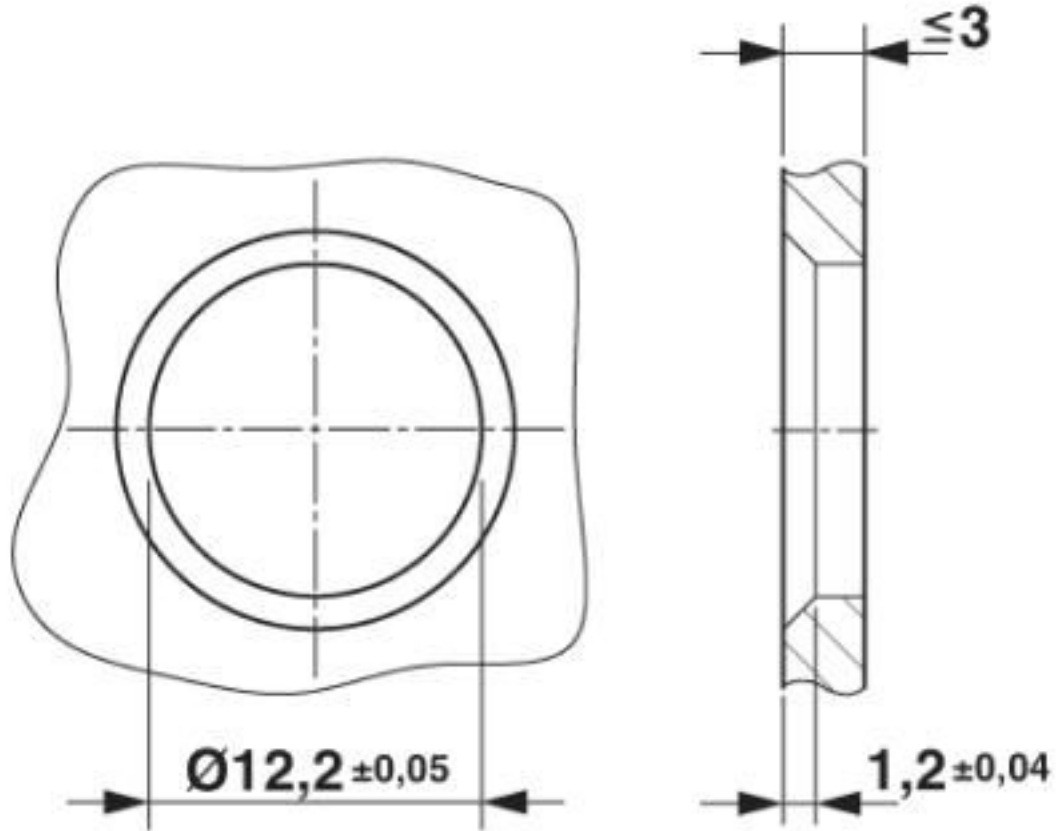
Dimensional drawing



Housing cut-out for two-part M12 flush-type connectors with THR and wave soldering connection, version 1

# Panel feed-through - SACC-DSIV-MS-8CON-L180 SCO THR - 1551765

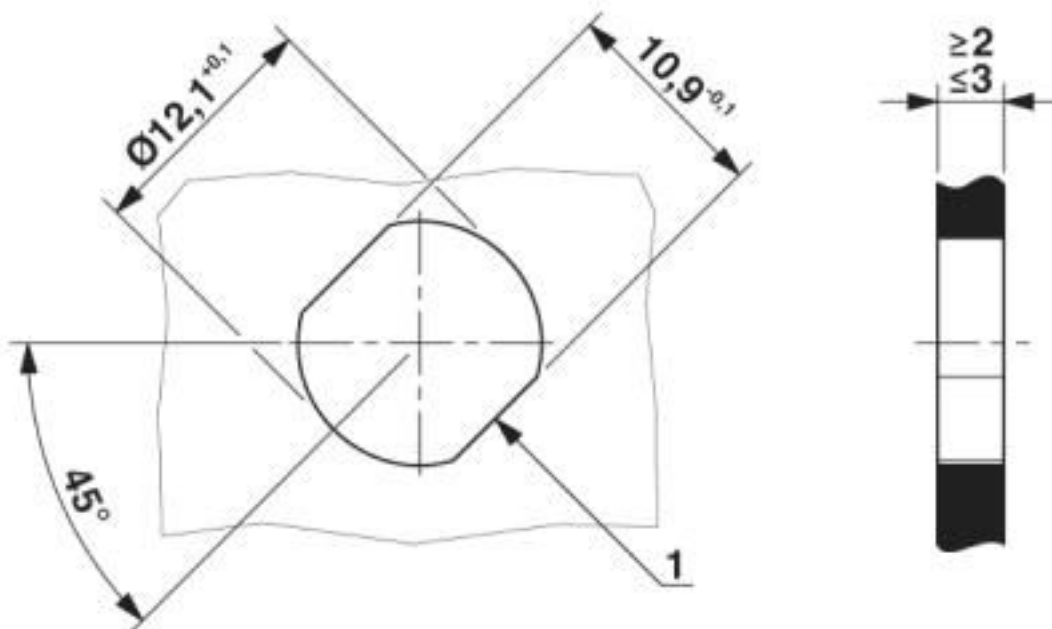
Dimensional drawing



Housing cut-out for two-part M12 flush-type connectors with THR and wave soldering connection, version 2

# Panel feed-through - SACC-DSIV-MS-8CON-L180 SCO THR - 1551765

Dimensional drawing



Housing cutout for M12 fastening thread, mounting panel with feed-through hole (alternative with surface as protection against rotation)

## Classifications

eCl@ss

|               |          |
|---------------|----------|
| eCl@ss 10.0.1 | 27440102 |
| eCl@ss 4.0    | 27140800 |
| eCl@ss 4.1    | 27140800 |
| eCl@ss 5.0    | 27143400 |
| eCl@ss 5.1    | 27143400 |
| eCl@ss 6.0    | 27279200 |
| eCl@ss 7.0    | 27440103 |
| eCl@ss 8.0    | 27440103 |
| eCl@ss 9.0    | 27440102 |

ETIM

|          |          |
|----------|----------|
| ETIM 3.0 | EC002061 |
| ETIM 4.0 | EC002062 |
| ETIM 5.0 | EC002061 |
| ETIM 6.0 | EC002061 |

UNSPSC

|               |          |
|---------------|----------|
| UNSPSC 6.01   | 31251501 |
| UNSPSC 7.0901 | 31251501 |
| UNSPSC 11     | 31251501 |



# Panel feed-through - SACC-DSIV-MS-8CON-L180 SCO THR - 1551765

## Classifications

### UNSPSC

|              |          |
|--------------|----------|
| UNSPSC 12.01 | 31251501 |
| UNSPSC 13.2  | 39121413 |
| UNSPSC 18.0  | 39121413 |
| UNSPSC 19.0  | 39121413 |
| UNSPSC 20.0  | 39121413 |
| UNSPSC 21.0  | 39121413 |

## Approvals

### Approvals

---

Approvals


EAC

---

Ex Approvals

---

### Approval details

|     |   |         |
|-----|---|---------|
| EAC |  | B.01687 |
|-----|---|---------|

---

Phoenix Contact 2020 © - all rights reserved  
<http://www.phoenixcontact.com>

PHOENIX CONTACT GmbH & Co. KG  
Flachsmarktstr. 8  
32825 Blomberg  
Germany  
Tel. +49 5235 300  
Fax +49 5235 3 41200  
<http://www.phoenixcontact.com>

## X-ON Electronics

Largest Supplier of Electrical and Electronic Components

*Click to view similar products for [Circular Metric Connectors](#) category:*

*Click to view products by [Phoenix Contact](#) manufacturer:*

Other Similar products are found below :

[600X518037X](#) [6STD15PCR99B70A](#) [8R4000A16M020](#) [8R5000A16M005](#) [1200910002](#) [1203580030](#) [1200910008](#) [1200910011](#) [1300140094](#)  
[130203-0054](#) [1300140026](#) [1300150099](#) [RF-12S1N8A90DU](#) [1612618](#) [21036836414](#) [8R4006A16M010](#) [8R5006A18A120](#) [1604232](#)  
[1R3006A20M005](#) [RF-12P1N8A80DU](#) [RF-12P1N8A90DU](#) [41-40011](#) [42-00006](#) [42-01015](#) [4-22279-4](#) [4-22281-1](#) [4-22284-9](#) [43-00113](#) [43-](#)  
[01088](#) [43-01203](#) [41-40013](#) [42-00008](#) [43-00343](#) [43-01032](#) [43-01162](#) [43-01173](#) [43-10000](#) [XS3P-M421-2](#) [600X518050X](#) [SACC-DSI-FS-5P-](#)  
[PG9-L180 SC](#) [8R5006A16M020](#) [8R5006A16M005](#) [8R4000A16M010](#) [6-22279-3](#) [1605332](#) [N03FA03144](#) [1300140077](#) [43-16213](#) [43-01338](#)  
[XS2RD4265](#)