

Screw plug - PROT-M12 FB - 1555538


Please be informed that the data shown in this PDF Document is generated from our Online Catalog. Please find the complete data in the user's documentation. Our General Terms of Use for Downloads are valid (<http://phoenixcontact.com/download>)



M12 high-grade steel screw plug, for unoccupied M12 sockets of the sensor/actuator cables, boxes and flush-type connectors for the food industry



Key Commercial Data

| | |
|------------------------|---|
| Packing unit | 5 pc |
| Minimum order quantity | 5 pc |
| GTIN |  4 046356 170543 |
| GTIN | 4046356170543 |

Technical data

Ambient conditions

| | |
|----------------------|-------|
| Degree of protection | IP65 |
| | IP67 |
| | IP69K |

General

| | |
|--------|---|
| Note | Use up to max. 48 V AC and 60 V DC |
| | Not suitable for M12 sockets with K, L, or M coding |
| Torque | 0.4 Nm |

Material

| | |
|----------|---------------------|
| Material | Stainless steel V4A |
|----------|---------------------|

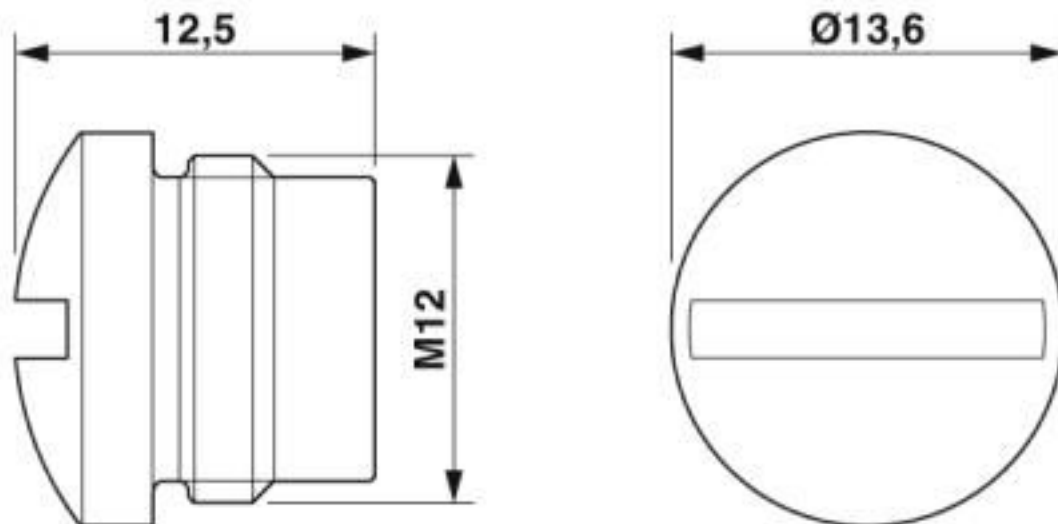
Environmental Product Compliance

| | |
|------------|---|
| China RoHS | Environmentally friendly use period: unlimited = EFUP-e |
| | No hazardous substances above threshold values |

Drawings

Screw plug - PROT-M12 FB - 1555538

Dimensional drawing



Classifications

eCl@ss

| | |
|---------------|----------|
| eCl@ss 10.0.1 | 23111190 |
| eCl@ss 4.0 | 23111100 |
| eCl@ss 4.1 | 23111100 |
| eCl@ss 5.0 | 23111100 |
| eCl@ss 5.1 | 23111100 |
| eCl@ss 6.0 | 23111100 |
| eCl@ss 7.0 | 23111190 |
| eCl@ss 8.0 | 23111190 |
| eCl@ss 9.0 | 23111190 |

ETIM

| | |
|----------|----------|
| ETIM 3.0 | EC002040 |
| ETIM 4.0 | EC002498 |
| ETIM 5.0 | EC000032 |
| ETIM 6.0 | EC000032 |
| ETIM 7.0 | EC000032 |

UNSPSC

| | |
|---------------|----------|
| UNSPSC 6.01 | 30212113 |
| UNSPSC 7.0901 | 39121712 |
| UNSPSC 11 | 39121712 |
| UNSPSC 12.01 | 39121712 |
| UNSPSC 13.2 | 31161501 |
| UNSPSC 18.0 | 31261502 |
| UNSPSC 19.0 | 31261502 |

Screw plug - PROT-M12 FB - 1555538

Classifications

UNSPSC

| | |
|-------------|----------|
| UNSPSC 20.0 | 31261502 |
| UNSPSC 21.0 | 31261502 |

Accessories

Accessories

Screwdriver tools

Screwdriver - SZF 3-1,0X5,5 - 1206612



Actuation tool, for ST terminal blocks, also suitable for use as a bladed screwdriver, size: 1.0 x 5.5 x 150 mm, 2-component grip, with non-slip grip

Phoenix Contact 2020 © - all rights reserved
<http://www.phoenixcontact.com>

PHOENIX CONTACT GmbH & Co. KG
Flachsmarktstr. 8
32825 Blomberg
Germany
Tel. +49 5235 300
Fax +49 5235 3 41200
<http://www.phoenixcontact.com>

X-ON Electronics

Largest Supplier of Electrical and Electronic Components

Click to view similar products for [Circular Metric Connectors](#) category:

Click to view products by [Phoenix Contact](#) manufacturer:

Other Similar products are found below :

[600X518037X](#) [6STD15PCR99B70A](#) [8R4000A16M020](#) [8R5000A16M005](#) [1200910002](#) [1203580030](#) [1200910008](#) [1200910011](#) [1300140094](#)
[130203-0054](#) [1300140026](#) [1300150099](#) [RF-12S1N8A90DU](#) [1-3637-600-5205](#) [1612618](#) [21036836414](#) [8R4006A16M010](#) [1604232](#)
[1R3006A20M005](#) [RF-12P1N8A90DU](#) [41-40011](#) [42-00006](#) [42-01015](#) [4-22279-4](#) [4-22281-1](#) [4-22284-9](#) [43-00113](#) [43-01088](#) [43-01203](#) [41-](#)
[40013](#) [42-00008](#) [43-00343](#) [43-01026](#) [43-01162](#) [43-01173](#) [43-10000](#) [XS3P-M421-2](#) [600X518050X](#) [SACC-DSI-FS-5P-PG9-L180 SC](#)
[8R5006A16M020](#) [8R5006A16M005](#) [8R4000A16M010](#) [6-22279-3](#) [1605332](#) [N03FA03144](#) [1300140077](#) [43-16213](#) [43-01338](#) [XS2RD4265](#)
[XS2R-D426-1](#)