

Sealing cap - PROT-M12 FS - 1560251

Please be informed that the data shown in this PDF Document is generated from our Online Catalog. Please find the complete data in the user's documentation. Our General Terms of Use for Downloads are valid (<http://phoenixcontact.com/download>)




M12 sealing cap for unoccupied M12 plugs of the sensor/actuator cable, flush-type plugs and I/O devices in the field

Your advantages

- Sealing caps with external or inner thread
- Printed or unprinted marking labels

Key Commercial Data

| | |
|------------------------|---|
| Packing unit | 5 pc |
| Minimum order quantity | 5 pc |
| GTIN |  4 046356 183659 |
| GTIN | 4046356183659 |

Technical data

Ambient conditions

| | |
|---------------------------------|------------------|
| Ambient temperature (operation) | -40 °C ... 90 °C |
| Degree of protection | IP67 |

Material

| | |
|--|-----|
| Flammability rating according to UL 94 | HB |
| Material of grip body | PE |
| Sealing material | NBR |

Characteristics head 2

| | |
|-------|-------|
| Color | black |
|-------|-------|

Standards and Regulations

| | |
|--|----|
| Flammability rating according to UL 94 | HB |
|--|----|

Environmental Product Compliance

| | |
|------------|---|
| China RoHS | Environmentally friendly use period: unlimited = EFUP-e |
|------------|---|

Sealing cap - PROT-M12 FS - 1560251

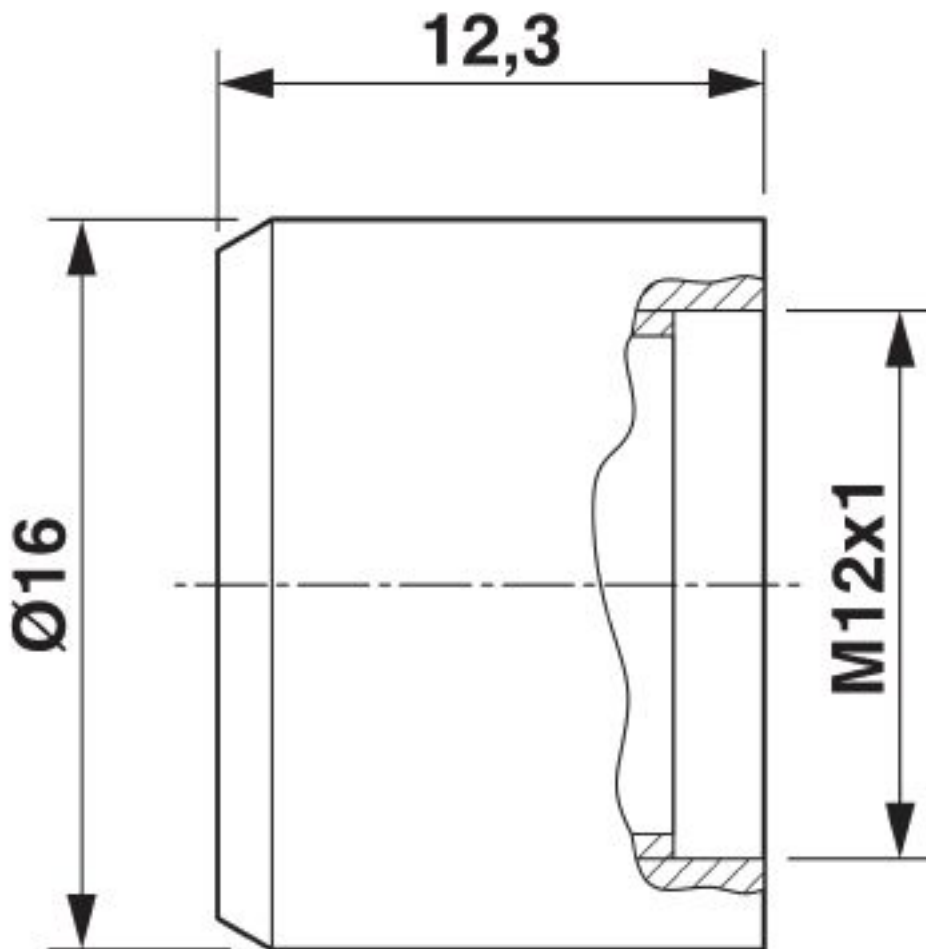
Technical data

Environmental Product Compliance

| | |
|--|--|
| | No hazardous substances above threshold values |
|--|--|

Drawings

Dimensional drawing



Classifications

eCl@ss

| | |
|---------------|----------|
| eCl@ss 10.0.1 | 23111190 |
| eCl@ss 4.0 | 27141200 |
| eCl@ss 4.1 | 27141200 |
| eCl@ss 5.0 | 27149100 |
| eCl@ss 5.1 | 27149100 |
| eCl@ss 6.0 | 27261200 |

Sealing cap - PROT-M12 FS - 1560251

Classifications

eCl@ss

| | |
|------------|----------|
| eCl@ss 7.0 | 27440208 |
| eCl@ss 8.0 | 23111190 |
| eCl@ss 9.0 | 23111190 |

ETIM

| | |
|----------|----------|
| ETIM 3.0 | EC002040 |
| ETIM 4.0 | EC002040 |
| ETIM 5.0 | EC002314 |
| ETIM 6.0 | EC000032 |
| ETIM 7.0 | EC000032 |

UNSPSC

| | |
|---------------|----------|
| UNSPSC 6.01 | 30212113 |
| UNSPSC 7.0901 | 39121712 |
| UNSPSC 11 | 39121712 |
| UNSPSC 12.01 | 39121712 |
| UNSPSC 13.2 | 39121421 |
| UNSPSC 18.0 | 31261502 |
| UNSPSC 19.0 | 31261502 |
| UNSPSC 20.0 | 31261502 |
| UNSPSC 21.0 | 31261502 |

Phoenix Contact 2020 © - all rights reserved
<http://www.phoenixcontact.com>

PHOENIX CONTACT GmbH & Co. KG
Flachsmarktstr. 8
32825 Blomberg
Germany
Tel. +49 5235 300
Fax +49 5235 3 41200
<http://www.phoenixcontact.com>

X-ON Electronics

Largest Supplier of Electrical and Electronic Components

Click to view similar products for [Circular Metric Connectors](#) category:

Click to view products by [Phoenix Contact](#) manufacturer:

Other Similar products are found below :

[600X518037X](#) [6STD15PCR99B70A](#) [8R4000A16M020](#) [8R5000A16M005](#) [1200910002](#) [1203580030](#) [1200910008](#) [1200910011](#) [1300140094](#)
[130203-0054](#) [1300140026](#) [1300150099](#) [RF-12S1N8A90DU](#) [1-3637-600-5205](#) [1612618](#) [21036836414](#) [8R4006A16M010](#) [1604232](#)
[1R3006A20M005](#) [RF-12P1N8A90DU](#) [41-40011](#) [42-00006](#) [42-01015](#) [4-22279-4](#) [4-22281-1](#) [4-22284-9](#) [43-00113](#) [43-01088](#) [43-01203](#) [41-](#)
[40013](#) [42-00008](#) [43-00343](#) [43-01026](#) [43-01162](#) [43-01173](#) [43-10000](#) [XS3P-M421-2](#) [600X518050X](#) [SACC-DSI-FS-5P-PG9-L180 SC](#)
[8R5006A16M020](#) [8R5006A16M005](#) [8R4000A16M010](#) [6-22279-3](#) [1605332](#) [N03FA03144](#) [1300140077](#) [43-16213](#) [43-01338](#) [XS2RD4265](#)
[XS2R-D426-1](#)