

# Panel feed-through - QPD W 3PE2,5 M25 DT BK - 1582193

Please be informed that the data shown in this PDF Document is generated from our Online Catalog. Please find the complete data in the user's documentation. Our General Terms of Use for Downloads are valid (<http://phoenixcontact.com/download>)




Panel feed-through, QUICKON connection, number of positions: 3+PE, 1 mm<sup>2</sup> ... 2.5 mm<sup>2</sup>, 690 V, 20 A, black, without QUICKON nut, cable diameter range: 6 mm ... 10 mm, assembly thread: M25, Push-in connection, 2.5 mm<sup>2</sup>

## Your advantages

- ✔ Innovative and time saving - QUICKON fast connection for time saving of up to 80 % for on-site connection
- ✔ Convenient: quick and easy assembly without special tools
- ✔ Robust throughout: housing with IP68/IP69K and IK07 protection for a wide range of applications
- ✔ Safer connection thanks to polarization against mismatching and touch-proof protection according to DIN EN 0105
- ✔ Efficient - by using panel feed-throughs, devices no longer need to be opened in order to connect cables



## Key Commercial Data

|              |   |
|--------------|---|
| Packing unit | 1 pc  |
| GTIN         | <br>4 046356 449090 |
| GTIN         | 4046356449090   |

## Technical data

### General

|                          |   |
|--------------------------|---|
| Connection               | For 2.5 mm <sup>2</sup> cables with ferrule, only CRIMPFOX 10S pliers (1212045) with square crimp can be used. CRIMPFOX 6H hexagonal crimping pliers (1212046) cannot be used, because the diameter on the diagonal is too large. |
| Type                     | QPD 4x2,5   |
| Color                    | black   |
| Locking type             | Screw locking   |
| Connection method        | QUICKON connection  |
|                          | IDC connection  |
| Number of positions      | 4   |
| Note number of positions | 3+PE  |
| Wrench size, union nut   | 22 mm   |

# Panel feed-through - QPD W 3PE2,5 M25 DT BK - 1582193

## Technical data

### General

|                                       |                     |
|---------------------------------------|---------------------|
| Tightening torque, union nut          | 5 Nm                |
| Tightening torque, counter nut        | 5 Nm                |
| Wrench size, counter nut              | 27 mm               |
| Number of connections                 | 10                  |
| Conductor cross section flexible min. | 1 mm <sup>2</sup>   |
| Conductor cross section flexible max. | 2.5 mm <sup>2</sup> |
| Conductor cross section solid min.    | 1 mm <sup>2</sup>   |
| Conductor cross section solid max.    | 2.5 mm <sup>2</sup> |
| Conductor cross section AWG min.      | 16                  |
| Conductor cross section AWG max.      | 14                  |

### Cabel

|   |  |
|---|--|
| Structure of individual litz in acc. with VDE 0295 / smallest wire diameter | VDE 0295 class 1 to 6/min. 0.15 mm                                   |
| Wire insulation material  | PVC/PE/TPE/rubber  |
| Wire diameter including insulation  | 2 mm ... 3.8 mm  |
| External cable diameter   | 6 mm ... 10 mm (Order Quickon nuts or Quickon connectors separately) |
| Conductor cross section   | 2.5 mm <sup>2</sup>  |
| Position marking  | 1, 2, 3, PE  |

### Ambient conditions

|   |                   |
|---|-------------------|
| Degree of protection                    | IP66              |
|   | IP68 (2 m / 24 h) |
|   | IP69K             |
| Ambient temperature (operation)         | -40 °C ... 100 °C |
| Ambient temperature (storage/transport) | -40 °C ... 100 °C |
| Temperature when conductor connected    | -5 °C ... 50 °C   |

### Electrical characteristics

|                                |        |
|--------------------------------|--------|
| Nominal current I <sub>N</sub> | 20 A   |
| Nominal voltage U <sub>N</sub> | 690 V  |
| Rated current                  | 20 A   |
| Rated voltage (III/3)          | 690 V  |
| Rated voltage (III/2)          | 1000 V |
| Rated voltage (II/2)           | 1000 V |
| Rated surge voltage (III/3)    | 6 kV   |
| Rated surge voltage (III/2)    | 8 kV   |
| Rated surge voltage (II/2)     | 8 kV   |

### Mechanical characteristics

|                             |         |
|-----------------------------|---------|
| QUICKON connectability      | max. 10 |
| Insertion/withdrawal cycles | >=      |
| Category of shock impact    | IK07    |

# Panel feed-through - QPD W 3PE2,5 M25 DT BK - 1582193

## Technical data

### Material data

|  |               |
|--|---------------|
| Contact material                       | Cu            |
| Contact surface material               | silver-plated |
| Contact carrier material               | PA            |
| Insulating material                    | PA            |
| Flammability rating according to UL 94 | V0            |
| Overvoltage category                   | III           |
| Degree of pollution                    | 3             |

### Standards and Regulations

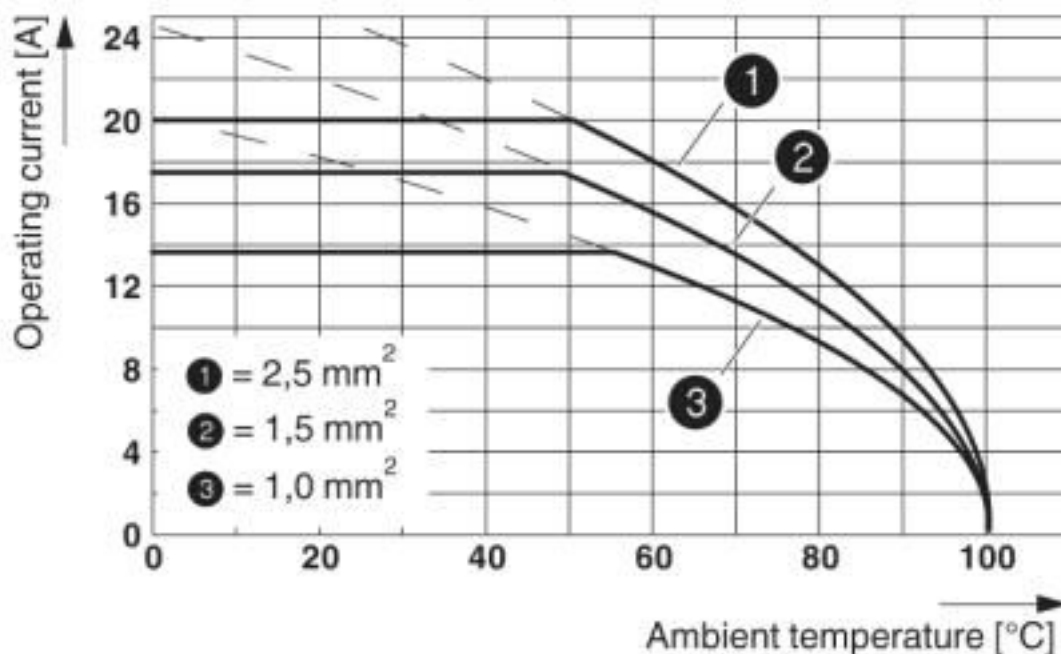
|  |      |
|--|------|
| Category of shock impact               | IK07 |
| Flammability rating according to UL 94 | V0   |

### Environmental Product Compliance

|            |   |
|------------|---|
| China RoHS | Environmentally Friendly Use Period = 50 years  |
|            | For details about hazardous substances go to tab "Downloads", Category "Manufacturer's declaration" |

## Drawings

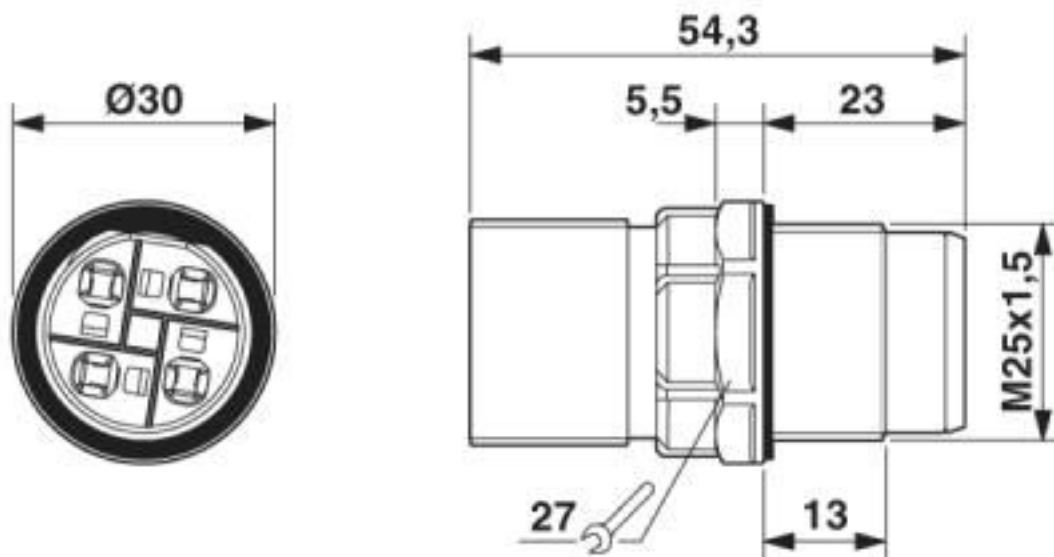
Diagram



Derating diagram

# Panel feed-through - QPD W 3PE2,5 M25 DT BK - 1582193

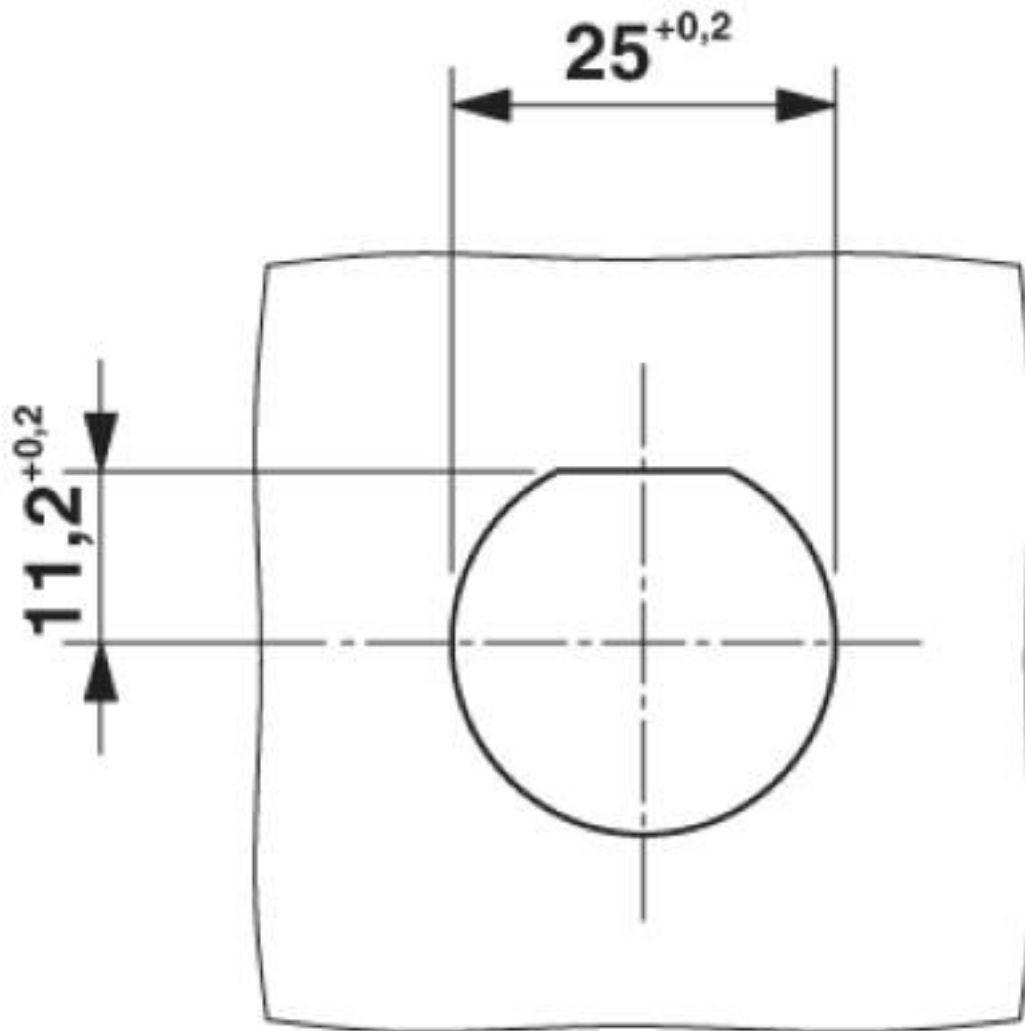
Dimensional drawing



Dimensional drawing: QPD W...

# Panel feed-through - QPD W 3PE2,5 M25 DT BK - 1582193

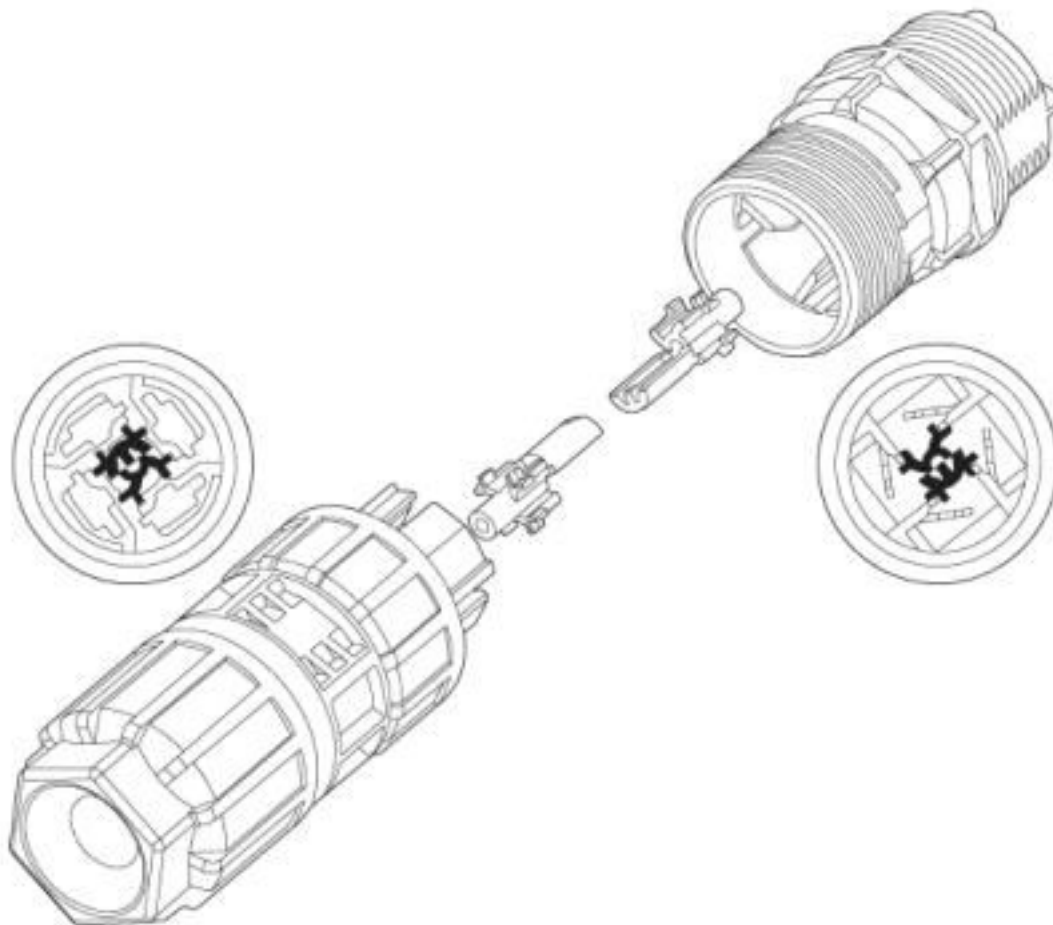
Dimensional drawing



Panel cutout

# Panel feed-through - QPD W 3PE2,5 M25 DT BK - 1582193

Schematic diagram



Encoding of the QUICKON connector

## Classifications

eCl@ss

|               |          |
|---------------|----------|
| eCl@ss 10.0.1 | 27440602 |
| eCl@ss 4.0    | 27140800 |
| eCl@ss 4.1    | 27140800 |
| eCl@ss 5.0    | 27143400 |
| eCl@ss 5.1    | 27143400 |
| eCl@ss 6.0    | 27143400 |
| eCl@ss 7.0    | 27440602 |
| eCl@ss 8.0    | 27440602 |
| eCl@ss 9.0    | 27440602 |

ETIM

|          |          |
|----------|----------|
| ETIM 2.0 | EC000516 |
|----------|----------|

# Panel feed-through - QPD W 3PE2,5 M25 DT BK - 1582193

## Classifications

### ETIM

|          |          |
|----------|----------|
| ETIM 3.0 | EC000516 |
| ETIM 4.0 | EC002635 |
| ETIM 5.0 | EC002566 |
| ETIM 6.0 | EC002566 |
| ETIM 7.0 | EC002566 |

### UNSPSC

|               |          |
|---------------|----------|
| UNSPSC 6.01   | 31251501 |
| UNSPSC 7.0901 | 31251501 |
| UNSPSC 11     | 31251501 |
| UNSPSC 12.01  | 39121522 |
| UNSPSC 13.2   | 39121522 |
| UNSPSC 18.0   | 39121522 |
| UNSPSC 19.0   | 39121522 |
| UNSPSC 20.0   | 39121522 |
| UNSPSC 21.0   | 39121522 |

## Approvals

### Approvals

#### Approvals

EAC / EAC / DNV GL / IECCEB Scheme / VDE Zeichengenehmigung

#### Ex Approvals

### Approval details

|     |  |                          |
|-----|--|--------------------------|
| EAC |  | RU C-<br>DE.AI30.B.01102 |
|-----|--|--------------------------|

|     |  |                          |
|-----|--|--------------------------|
| EAC |  | RU C-<br>DE.BL08.B.00511 |
|-----|--|--------------------------|

|        |  |   |            |
|--------|--|---|------------|
| DNV GL |  | <a href="https://approvalfinder.dnvgl.com/">https://approvalfinder.dnvgl.com/</a> | TAE00003J5 |
|--------|--|---|------------|

# Panel feed-through - QPD W 3PE2,5 M25 DT BK - 1582193

## Approvals

|                 |  |   |           |
|-----------------|--|---|-----------|
| IECEE CB Scheme |  | <a href="http://www.iecee.org/">http://www.iecee.org/</a> | DE1-58228 |
|-----------------|--|---|-----------|

|                        |  |   |          |
|------------------------|--|---|----------|
| VDE Zeichengenehmigung |  | <a href="http://www2.vde.com/de/Institut/Online-Service/VDE-gepruefteProdukte/Seiten/Online-Suche.aspx">http://www2.vde.com/de/Institut/Online-Service/VDE-gepruefteProdukte/Seiten/Online-Suche.aspx</a> | 40029149 |
|------------------------|--|---|----------|

|                            |         |
|----------------------------|---------|
| Nominal voltage UN         | 690 V   |
| Nominal current IN         | 20 A    |
| mm <sup>2</sup> /AWG/kcmil | 1.5-2.5 |

## Accessories

### Accessories

#### Coding element

Coding profile - CP-QPD - 1582459



Coding profile red, for pushing into the QUICKON dome and connector, can be positioned in 90° steps.

## Device marking

Plastic label - EMLP (13X9)R - 0819453



Plastic label, Roll, white, unlabeled, can be labeled with: THERMOMARK ROLLMASTER 300/600, THERMOMARK X1.2, THERMOMARK ROLL X1, THERMOMARK ROLL 2.0, THERMOMARK ROLL, mounting type: adhesive, lettering field size: 13 x 9 mm, Number of individual labels: 500

Engraving material - GPE 13X 9 WH - 0806932



Engraving material, Sheet, white, unlabeled, can be labeled with: PLOTMARK, ENGRAVING UNIT, CMS-P1-PLOTTER, P1 ENGRAVING UNIT, mounting type: adhesive, lettering field size: 13 x 9 mm, Number of individual labels: 120

## Installation pressure nut



## Panel feed-through - QPD W 3PE2,5 M25 DT BK - 1582193

### Accessories

Nut - QPD N 2,5 6-10 BK - 1582226



Nut, QUICKON connection, number of positions: 3+PE, 1 mm<sup>2</sup> ... 2.5 mm<sup>2</sup>, 690 V, 20 A, black, cable diameter range: 6 mm ... 10 mm

Nut - QPD N 2,5 9-14 BK - 1582229



Nut, QUICKON connection, number of positions: 3+PE, 1 mm<sup>2</sup> ... 2.5 mm<sup>2</sup>, 690 V, 20 A, black, cable diameter range: 9 mm ... 14 mm

### Mounting material

Nut - Q-MU M25 - 1640715



Nut (plastic) to lock the contact carrier from the inside of the device

### Protective cap

Protective cap - QPD QSK 2,5 FS - 1582488

Plastic protective cap, for QPD-QUICKON connectors, green, with holding band, IP68



Protective cap - QPD QSK 2,5 - 1582150



Protective cap made of transparent plastic for QPD QUICKON connection 4x 2.5 mm<sup>2</sup>, IP50.

### Seal

## Panel feed-through - QPD W 3PE2,5 M25 DT BK - 1582193

### Accessories

Seal - KV-DI-PG16-1XASI - 1582462



Seal for one AS-i line, 17.2 x 9 mm, from NBR, black, for IP65/67 degree of protection

---

Seal - KV-DI-PG16-2XASI - 1582464



Seal for two AS-i lines, 17.2 x 9 mm, from NBR, black, for IP65/67 degree of protection

---

### Socket spanner

Socket wrench - QSS 22 - 1670206



Allen wrench, for loosening and fastening the QUICKON union nut, WAF 22 mm

---

Phoenix Contact 2020 © - all rights reserved  
<http://www.phoenixcontact.com>

PHOENIX CONTACT GmbH & Co. KG  
Flachsmarktstr. 8  
32825 Blomberg  
Germany  
Tel. +49 5235 300  
Fax +49 5235 3 41200  
<http://www.phoenixcontact.com>

## X-ON Electronics

Largest Supplier of Electrical and Electronic Components

*Click to view similar products for [Phoenix Contact](#) manufacturer:*

Other Similar products are found below :

[1203259](#) [1893300](#) [1212619](#) [1927221](#) [1936102](#) [1730573](#) [3240366](#) [3240367](#) [1014246](#) [1014236](#) [1014240](#) [1014290](#) [1014293](#) [1806193](#)  
[1823655](#) [1912825](#) [1842254](#) [1768260](#) [1716373](#) [1648030](#) [1579051](#) [1014235](#) [1014239](#) [1014229](#) [1212378](#) [2800744](#) [3006564](#) [2800741](#)  
[5146480](#) [1623633](#) [1507793](#) [3025587](#) [3069708](#) [1431461](#) [1586976](#) [0311647](#) [1460160](#) [1771338](#) [3048387](#) [2814605](#) [0309086](#) [1513716](#)  
[3035684](#) [5451417](#) [0202219](#) [1647747](#) [1730667](#) [1709267](#) [5449018](#) [0311634](#)