

Panel feed-through - QPD W 4X2,5 M25 FC GY - 1582351

Please be informed that the data shown in this PDF Document is generated from our Online Catalog. Please find the complete data in the user's documentation. Our General Terms of Use for Downloads are valid (<http://phoenixcontact.com/download>)



Panel feed-through, QUICKON connection, number of positions: 4, 1 mm² ... 2.5 mm², 690 V, 20 A, gray, without QUICKON nut, cable diameter range: 6 mm ... 10 mm, assembly thread: M25, Slip-on connection, 2.5 mm²



Key Commercial Data

Packing unit	1 pc
GTIN	
GTIN	4046356463515

Technical data

General

Type	QPD 4x2,5
Color	gray
Locking type	Screw locking
Connection method	QUICKON connection
	IDC connection
Number of positions	4
Note number of positions	4
Wrench size, union nut	22 mm
Tightening torque, union nut	5 Nm
Tightening torque, counter nut	5 Nm
Wrench size, counter nut	27 mm
Number of connections	10
Conductor cross section flexible min.	1 mm ²
Conductor cross section flexible max.	2.5 mm ²
Conductor cross section solid min.	1 mm ²
Conductor cross section solid max.	2.5 mm ²
Conductor cross section AWG min.	16

Panel feed-through - QPD W 4X2,5 M25 FC GY - 1582351

Technical data

General

Conductor cross section AWG max.	14
Dimensions of slip-on connection	4.8 x 0.8 mm

Cabel

Structure of individual litz in acc. with VDE 0295 / smallest wire diameter	VDE 0295 class 1 to 6/min. 0.15 mm
Wire insulation material	PVC/PE/TPE/rubber
Wire diameter including insulation	2 mm ... 3.8 mm
External cable diameter	6 mm ... 10 mm (Order Quickon nuts or Quickon connectors separately)
Conductor cross section	2.5 mm ²
Position marking	1, 2, 3, 4

Ambient conditions

Degree of protection	IP66
	IP68 (2 m / 24 h)
	IP69K
Ambient temperature (operation)	-40 °C ... 100 °C
Ambient temperature (storage/transport)	-40 °C ... 100 °C
Temperature when conductor connected	-5 °C ... 50 °C

Electrical characteristics

Nominal current I _N	20 A
Nominal voltage U _N	690 V
Rated current	20 A
Rated voltage (III/3)	690 V
Note on the rated voltage (III/3)	With insulating sleeve PT/FS 4,8, 1670497 without insulating sleeve 250 V.
Rated voltage (III/2)	1000 V
Rated voltage (II/2)	1000 V
Rated surge voltage (III/3)	6 kV
Rated surge voltage (III/2)	8 kV
Rated surge voltage (II/2)	8 kV

Mechanical characteristics

QUICKON connectability	max. 10
Category of shock impact	IK07

Material data

Contact material	CuZn
Contact surface material	silver-plated
Contact carrier material	PA
Insulating material	PA
Flammability rating according to UL 94	V0
Overvoltage category	III
Degree of pollution	3

Panel feed-through - QPD W 4X2,5 M25 FC GY - 1582351

Technical data

Standards and Regulations

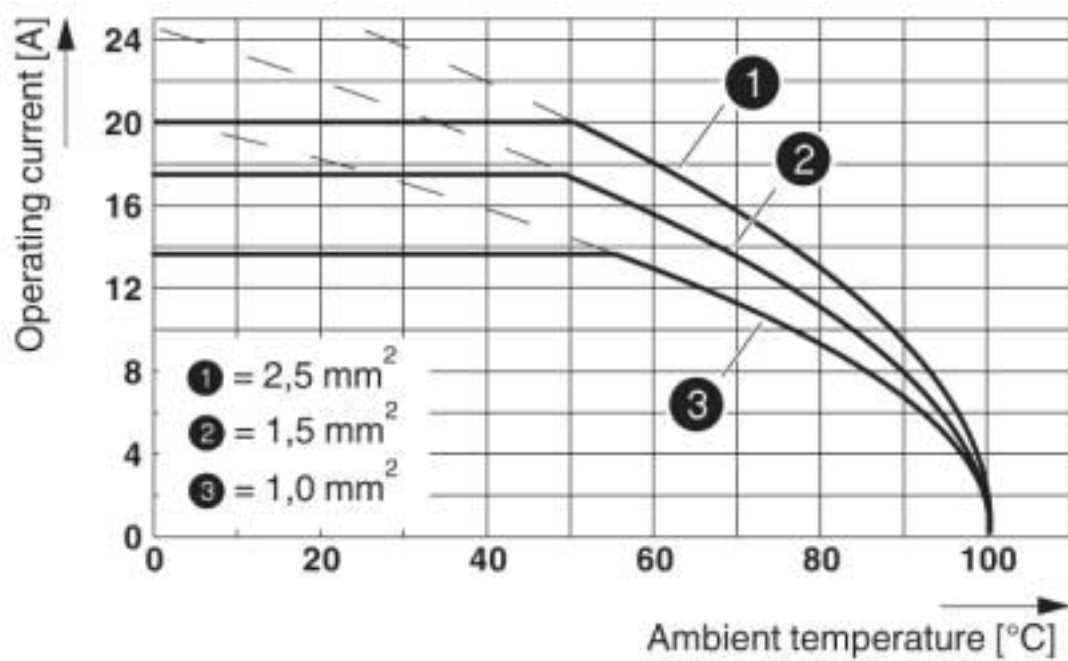
Category of shock impact	IK07
Flammability rating according to UL 94	V0

Environmental Product Compliance

China RoHS	Environmentally friendly use period: unlimited = EFUP-e
	No hazardous substances above threshold values

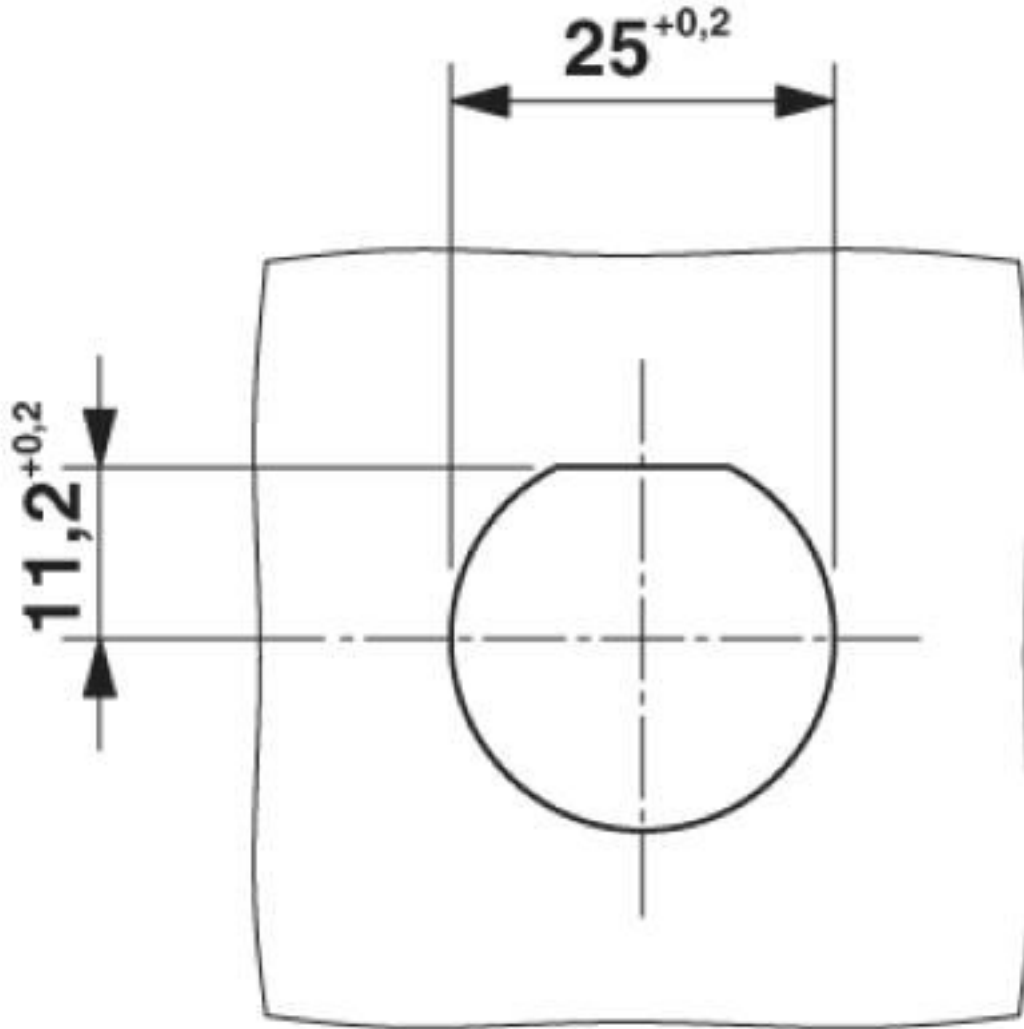
Drawings

Diagram



Panel feed-through - QPD W 4X2,5 M25 FC GY - 1582351

Dimensional drawing



Panel cutout

Classifications

eCl@ss

eCl@ss 10.0.1	27440602
eCl@ss 4.0	27140800
eCl@ss 4.1	27140800
eCl@ss 5.0	27143400
eCl@ss 5.1	27143400
eCl@ss 6.0	27143400
eCl@ss 7.0	27440602
eCl@ss 8.0	27440602

Panel feed-through - QPD W 4X2,5 M25 FC GY - 1582351

Classifications

eCl@ss

eCl@ss 9.0	27440602
------------	----------

ETIM

ETIM 3.0	EC001283
ETIM 4.0	EC001283
ETIM 5.0	EC002566
ETIM 6.0	EC002566
ETIM 7.0	EC002566

UNSPSC

UNSPSC 6.01	31251501
UNSPSC 7.0901	31251501
UNSPSC 11	31251501
UNSPSC 12.01	39121522
UNSPSC 13.2	39121522
UNSPSC 18.0	39121522
UNSPSC 19.0	39121522
UNSPSC 20.0	39121522
UNSPSC 21.0	39121522

Approvals

Approvals

Approvals

EAC / EAC / DNV GL / IECB Scheme / VDE Zeichengenehmigung / VDE Zeichengenehmigung

Ex Approvals

Approval details

EAC		RU C- DE.AI30.B.01102
-----	--	--------------------------

EAC		RU C- DE.BL08.B.00511
-----	--	--------------------------

Panel feed-through - QPD W 4X2,5 M25 FC GY - 1582351

Approvals

DNV GL		https://approvalfinder.dnvgl.com/	TAE00003J5
--------	--	---	------------

IECEE CB Scheme		http://www.iecee.org/	DE1-58228
-----------------	--	---	-----------

VDE Zeichengenehmigung		http://www2.vde.com/de/Institut/Online-Service/VDE-gepruefteProdukte/Seiten/Online-Suche.aspx	40029149
------------------------	--	---	----------

VDE Zeichengenehmigung		http://www2.vde.com/de/Institut/Online-Service/VDE-gepruefteProdukte/Seiten/Online-Suche.aspx	40029149
------------------------	--	---	----------

Nominal voltage UN	690 V
Nominal current IN	20 A
mm ² /AWG/kcmil	1.5-2.5

Accessories

Accessories

Coding element

Coding profile - CP-QPD - 1582459



Coding profile red, for pushing into the QUICKON dome and connector, can be positioned in 90° steps.

Device marking

Plastic label - EMLP (13X9)R - 0819453



Plastic label, Roll, white, unlabeled, can be labeled with: THERMOMARK ROLLMASTER 300/600, THERMOMARK X1.2, THERMOMARK ROLL X1, THERMOMARK ROLL 2.0, THERMOMARK ROLL, mounting type: adhesive, lettering field size: 13 x 9 mm, Number of individual labels: 500

Panel feed-through - QPD W 4X2,5 M25 FC GY - 1582351

Accessories

Engraving material - GPE 13X 9 WH - 0806932



Engraving material, Sheet, white, unlabeled, can be labeled with: PLOTMARK, ENGRAVING UNIT, CMS-P1-PLOTTER, P1 ENGRAVING UNIT, mounting type: adhesive, lettering field size: 13 x 9 mm, Number of individual labels: 120

Installation pressure nut

Nut - QPD N 2,5 6-10 BK - 1582226



Nut, QUICKON connection, number of positions: 3+PE, 1 mm² ... 2.5 mm², 690 V, 20 A, black, cable diameter range: 6 mm ... 10 mm

Nut - QPD N 2,5 9-14 BK - 1582229



Nut, QUICKON connection, number of positions: 3+PE, 1 mm² ... 2.5 mm², 690 V, 20 A, black, cable diameter range: 9 mm ... 14 mm

Insulating sleeve

Insulating sleeve - PT/FS 4,8 - 1670497



Insulating sleeve, as touch protection, for 4.8 mm slip-on sleeves, slide onto the conductor before

Mounting material

Nut - Q-MU M25 - 1640715



Nut (plastic) to lock the contact carrier from the inside of the device

Protective cap

Panel feed-through - QPD W 4X2,5 M25 FC GY - 1582351

Accessories

Protective cap - QPD QSK 2,5 FS - 1582488

Plastic protective cap, for QPD-QUICKON connectors, green, with holding band, IP68



Protective cap - QPD QSK 2,5 - 1582150



Protective cap made of transparent plastic for QPD QUICKON connection 4x 2.5 mm², IP50.

Seal

Seal - KV-DI-PG16-1XASI - 1582462



Seal for one AS-i line, 17.2 x 9 mm, from NBR, black, for IP65/67 degree of protection

Seal - KV-DI-PG16-2XASI - 1582464



Seal for two AS-i lines, 17.2 x 9 mm, from NBR, black, for IP65/67 degree of protection

Socket spanner

Socket wrench - QSS 22 - 1670206



Allen wrench, for loosening and fastening the QUICKON union nut, WAF 22 mm

Phoenix Contact 2020 © - all rights reserved
<http://www.phoenixcontact.com>

PHOENIX CONTACT GmbH & Co. KG
Flachmarktstr. 8
32825 Blomberg
Germany
Tel. +49 5235 300
Fax +49 5235 3 41200
<http://www.phoenixcontact.com>

X-ON Electronics

Largest Supplier of Electrical and Electronic Components

Click to view similar products for [Circular Metric Connectors](#) category:

Click to view products by [Phoenix Contact](#) manufacturer:

Other Similar products are found below :

[600X518037X](#) [6STD15PCR99B70A](#) [8R4000A16M020](#) [8R5000A16M005](#) [1200910002](#) [1203580030](#) [1200910008](#) [1200910011](#) [1300140094](#)
[130203-0054](#) [1300140026](#) [1300150099](#) [RF-12S1N8A90DU](#) [1-3637-600-5205](#) [1612618](#) [21036836414](#) [8R4006A16M010](#) [1604232](#)
[1R3006A20M005](#) [RF-12P1N8A90DU](#) [41-40011](#) [42-00006](#) [42-01015](#) [4-22279-4](#) [4-22281-1](#) [4-22284-9](#) [43-00113](#) [43-01088](#) [43-01203](#) [41-](#)
[40013](#) [42-00008](#) [43-00343](#) [43-01026](#) [43-01162](#) [43-01173](#) [43-10000](#) [XS3P-M421-2](#) [600X518050X](#) [SACC-DSI-FS-5P-PG9-L180 SC](#)
[8R5006A16M020](#) [8R5006A16M005](#) [8R4000A16M010](#) [6-22279-3](#) [1605332](#) [N03FA03144](#) [1300140077](#) [43-16213](#) [43-01338](#) [XS2RD4265](#)
[XS2R-D426-1](#)