

## Conductor connectors - QPD C 4X2,5/2X9-14 GY - 1582400

Please be informed that the data shown in this PDF Document is generated from our Online Catalog. Please find the complete data in the user's documentation. Our General Terms of Use for Downloads are valid (<http://phoenixcontact.com/download>)



Conductor connectors, QUICKON connection, number of positions: 4, 1 mm<sup>2</sup> ... 2.5 mm<sup>2</sup>, 690 V, 20 A, gray, With two QUICKON nuts, cable diameter range: 9 mm ... 14 mm, QUICKON fast connection

### Your advantages

- Innovative and time saving - QUICKON fast connection for time saving of up to 80 % for on-site connection
- Convenient: quick and easy assembly without special tools
- Robust throughout: housing with IP68/IP69K and IK07 protection for a wide range of applications
- Safer connection thanks to polarization against mismatching and touch-proof protection according to DIN EN 0105
- Easy and safe - with the cable connector, you can repair or extend cables quickly, in combination with the connector as well as the coupling connection

### Key Commercial Data

|              |               |
|--------------|---------------|
| Packing unit | 1 pc          |
| GTIN         |               |
| GTIN         | 4046356463560 |

### Technical data

#### General

|                                       |                    |
|---------------------------------------|--------------------|
| Type                                  | QPD 4x2,5          |
| Color                                 | gray               |
| Locking type                          | Screw locking      |
| Connection method                     | QUICKON connection |
|                                       | IDC connection     |
| Number of positions                   | 4                  |
| Note number of positions              | 4                  |
| Wrench size, union nut                | 22 mm              |
| Tightening torque, union nut          | 5 Nm               |
| Tightening torque, counter nut        | 5 Nm               |
| Conductor cross section flexible min. | 1 mm <sup>2</sup>  |

# Conductor connectors - QPD C 4X2,5/2X9-14 GY - 1582400

## Technical data

### General

|                                       |                     |
|---------------------------------------|---------------------|
| Conductor cross section flexible max. | 2.5 mm <sup>2</sup> |
| Conductor cross section solid min.    | 1 mm <sup>2</sup>   |
| Conductor cross section solid max.    | 2.5 mm <sup>2</sup> |
| Conductor cross section AWG min.      | 16                  |
| Conductor cross section AWG max.      | 14                  |

### Cabel

|   |                                    |
|---|------------------------------------|
| Structure of individual litz in acc. with VDE 0295 / smallest wire diameter | VDE 0295 class 1 to 6/min. 0.15 mm |
| Wire insulation material  | PVC/PE/TPE/rubber                  |
| Wire diameter including insulation  | 2 mm ... 3.8 mm                    |
| External cable diameter   | 9 mm ... 14 mm                     |
| Position marking  | 1, 2, 3, 4                         |

### Ambient conditions

|   |                   |
|---|-------------------|
| Degree of protection                    | IP66              |
|   | IP68 (2 m / 24 h) |
|   | IP69K             |
| Ambient temperature (operation)         | -40 °C ... 100 °C |
| Ambient temperature (storage/transport) | -40 °C ... 100 °C |
| Temperature when conductor connected    | -5 °C ... 50 °C   |

### Electrical characteristics

|                                |        |
|--------------------------------|--------|
| Nominal current I <sub>N</sub> | 20 A   |
| Nominal voltage U <sub>N</sub> | 690 V  |
| Rated current                  | 20 A   |
| Rated voltage (III/3)          | 690 V  |
| Rated voltage (III/2)          | 1000 V |
| Rated voltage (II/2)           | 1000 V |
| Rated surge voltage (III/3)    | 6 kV   |
| Rated surge voltage (III/2)    | 8 kV   |
| Rated surge voltage (II/2)     | 8 kV   |

### Mechanical characteristics

|                             |                                     |
|-----------------------------|-------------------------------------|
| QUICKON connectability      | max. 10                             |
| Insertion/withdrawal cycles | >= 50 (QUICKON connections max. 10) |
| Category of shock impact    | IK07                                |

### Material data

|  |            |
|--|------------|
| Contact material                       | CuZn       |
| Contact surface material               | Tin-plated |
| Contact carrier material               | PA         |
| Insulating material                    | PA         |
| Flammability rating according to UL 94 | V0         |

# Conductor connectors - QPD C 4X2,5/2X9-14 GY - 1582400

## Technical data

### Material data

|                      |     |
|----------------------|-----|
| Overvoltage category | III |
| Degree of pollution  | 3   |

### Standards and Regulations

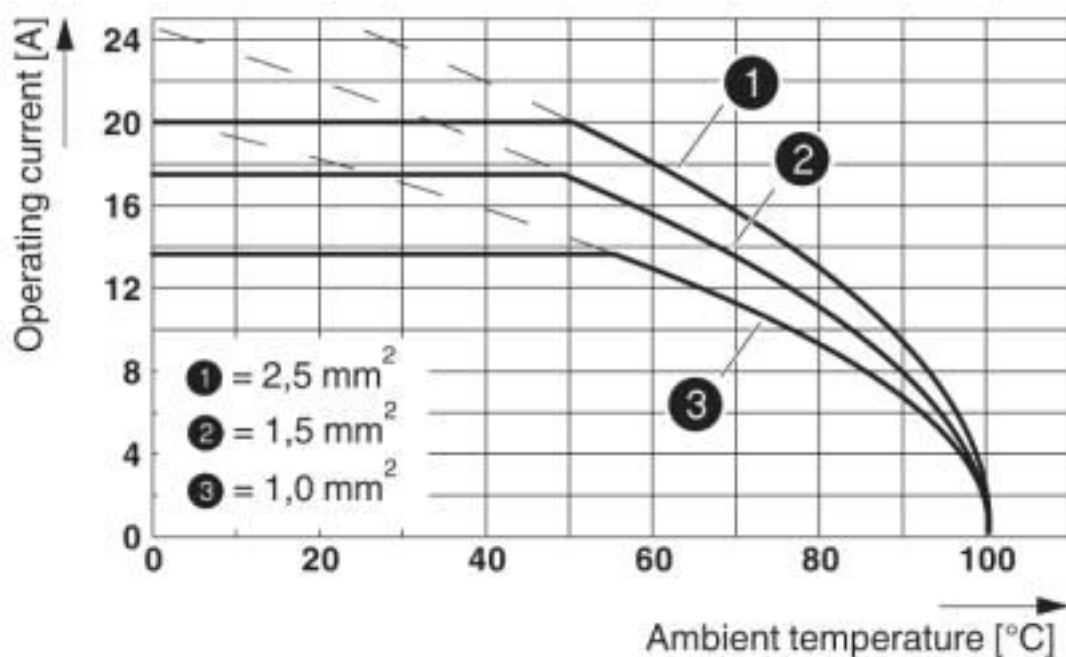
|  |      |
|--|------|
| Category of shock impact               | IK07 |
| Halogen-free                           | no   |
| Flammability rating according to UL 94 | V0   |

### Environmental Product Compliance

|            |   |
|------------|---|
| REACH SVHC | Lead 7439-92-1  |
| China RoHS | Environmentally Friendly Use Period = 50 years  |
|            | For details about hazardous substances go to tab "Downloads", Category "Manufacturer's declaration" |

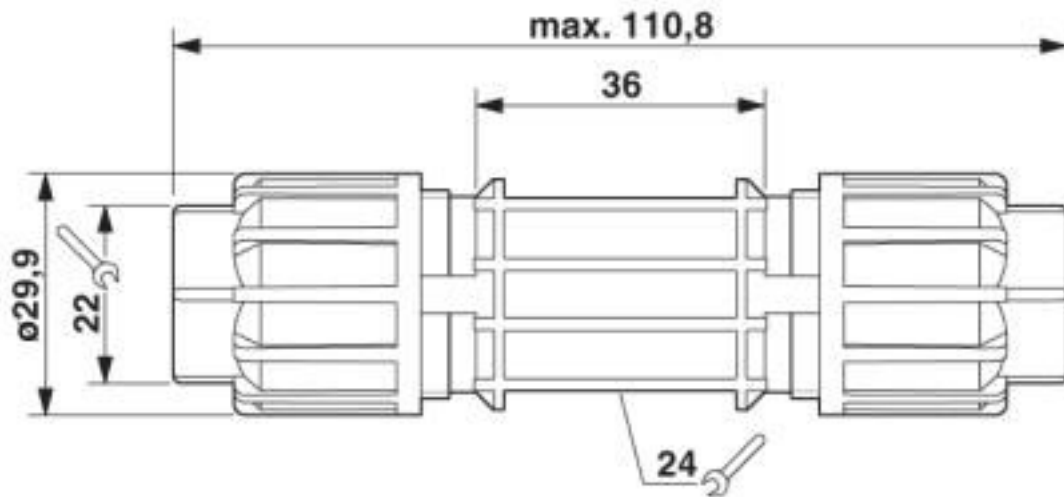
## Drawings

Diagram



# Conductor connectors - QPD C 4X2,5/2X9-14 GY - 1582400

Dimensional drawing



## Classifications

eCl@ss

|               |          |
|---------------|----------|
| eCl@ss 10.0.1 | 27440605 |
| eCl@ss 4.0    | 27140800 |
| eCl@ss 4.1    | 27140800 |
| eCl@ss 5.0    | 27143400 |
| eCl@ss 5.1    | 27143400 |
| eCl@ss 6.0    | 27143400 |
| eCl@ss 7.0    | 27440605 |
| eCl@ss 8.0    | 27440605 |
| eCl@ss 9.0    | 27440605 |

ETIM

|          |          |
|----------|----------|
| ETIM 3.0 | EC000516 |
| ETIM 4.0 | EC000516 |
| ETIM 5.0 | EC002560 |
| ETIM 6.0 | EC002560 |
| ETIM 7.0 | EC002560 |

UNSPSC

|               |          |
|---------------|----------|
| UNSPSC 6.01   | 30211923 |
| UNSPSC 7.0901 | 39121522 |
| UNSPSC 11     | 39121522 |
| UNSPSC 12.01  | 39121522 |
| UNSPSC 13.2   | 39121402 |
| UNSPSC 18.0   | 39121402 |
| UNSPSC 19.0   | 39121402 |

# Conductor connectors - QPD C 4X2,5/2X9-14 GY - 1582400

## Classifications

### UNSPSC

|             |          |
|-------------|----------|
| UNSPSC 20.0 | 39121402 |
| UNSPSC 21.0 | 39121402 |

## Approvals

### Approvals

---

### Approvals


UL Listed / cUL Listed / UL Listed / IEC EE CB Scheme / cUL Listed / VDE Zeichengenehmigung / EAC / DNV GL / EAC


---

### Ex Approvals


---

### Approval details

|                            |   |   |               |
|----------------------------|---|---|---------------|
| UL Listed                  |  | <a href="http://database.ul.com/cgi-bin/XYV/template/LISEXT/1FRAME/index.htm">http://database.ul.com/cgi-bin/XYV/template/LISEXT/1FRAME/index.htm</a> | FILE E 468743 |
|                            |   |   |               |
| Nominal voltage UN         | 600 V   |   |               |
| Nominal current IN         | 12 A  |   |               |
| mm <sup>2</sup> /AWG/kcmil | 14  |   |               |

|                            |   |   |               |
|----------------------------|---|---|---------------|
| cUL Listed                 |  | <a href="http://database.ul.com/cgi-bin/XYV/template/LISEXT/1FRAME/index.htm">http://database.ul.com/cgi-bin/XYV/template/LISEXT/1FRAME/index.htm</a> | FILE E 468743 |
|                            |   |   |               |
| Nominal voltage UN         | 600 V   |   |               |
| Nominal current IN         | 12 A  |   |               |
| mm <sup>2</sup> /AWG/kcmil | 14  |   |               |

|           |   |   |         |
|-----------|---|---|---------|
| UL Listed |  | <a href="http://database.ul.com/cgi-bin/XYV/template/LISEXT/1FRAME/index.htm">http://database.ul.com/cgi-bin/XYV/template/LISEXT/1FRAME/index.htm</a> | E221474 |
|-----------|---|---|---------|

|                 |   |   |           |
|-----------------|---|---|-----------|
| IECEE CB Scheme |  | <a href="http://www.iecee.org/">http://www.iecee.org/</a> | DE1-58228 |
|-----------------|---|---|-----------|

# Conductor connectors - QPD C 4X2,5/2X9-14 GY - 1582400

## Approvals

|            |  |   |         |
|------------|--|---|---------|
| cUL Listed |  | <a href="http://database.ul.com/cgi-bin/XYV/template/LISEXT/1FRAME/index.htm">http://database.ul.com/cgi-bin/XYV/template/LISEXT/1FRAME/index.htm</a> | E221474 |
|------------|--|---|---------|

|                            |         |   |          |
|----------------------------|---------|---|----------|
| VDE Zeichengenehmigung     |         | <a href="http://www2.vde.com/de/Institut/Online-Service/VDE-gepruefteProdukte/Seiten/Online-Suche.aspx">http://www2.vde.com/de/Institut/Online-Service/VDE-gepruefteProdukte/Seiten/Online-Suche.aspx</a> | 40029149 |
| Nominal voltage UN         | 690 V   |   |          |
| Nominal current IN         | 20 A    |   |          |
| mm <sup>2</sup> /AWG/kcmil | 1.5-2.5 |   |          |

|     |  |                      |
|-----|--|----------------------|
| EAC |  | RU C-DE.AI30.B.01102 |
|-----|--|----------------------|

|        |  |   |            |
|--------|--|---|------------|
| DNV GL |  | <a href="https://approvalfinder.dnvgl.com/">https://approvalfinder.dnvgl.com/</a> | TAE00003J5 |
|--------|--|---|------------|

|     |  |                      |
|-----|--|----------------------|
| EAC |  | RU C-DE.BL08.B.00511 |
|-----|--|----------------------|

## Accessories

Accessories

Device marking

Engraving material - GPE 13X 9 WH - 0806932



Engraving material, Sheet, white, unlabeled, can be labeled with: PLOTMARK, ENGRAVING UNIT, CMS-P1-PLOTTER, P1 ENGRAVING UNIT, mounting type: adhesive, lettering field size: 13 x 9 mm, Number of individual labels: 120

Sealing plugs

## Conductor connectors - QPD C 4X2,5/2X9-14 GY - 1582400

### Accessories

Closing cap - SEALING PLUG 14X22 RD - 1400270



Closing cap, material: PA, for threads pluggable, color: red

---

### Socket spanner

Socket wrench - QSS 22 - 1670206



Allen wrench, for loosening and fastening the QUICKON union nut, WAF 22 mm

---

Phoenix Contact 2020 © - all rights reserved  
<http://www.phoenixcontact.com>

PHOENIX CONTACT GmbH & Co. KG  
Flachsmarktstr. 8  
32825 Blomberg  
Germany  
Tel. +49 5235 300  
Fax +49 5235 3 41200  
<http://www.phoenixcontact.com>

## X-ON Electronics

Largest Supplier of Electrical and Electronic Components

*Click to view similar products for [Circular Metric Connectors](#) category:*

*Click to view products by [Phoenix Contact](#) manufacturer:*

Other Similar products are found below :

[600X518037X](#) [6STD15PCR99B70A](#) [8R4000A16M020](#) [8R5000A16M005](#) [1200910002](#) [1203580030](#) [1200910008](#) [1200910011](#) [1300140094](#)  
[130203-0054](#) [1300140026](#) [1300150099](#) [RF-12S1N8A90DU](#) [1-3637-600-5205](#) [1612618](#) [21036836414](#) [8R4006A16M010](#) [1604232](#)  
[1R3006A20M005](#) [RF-12P1N8A90DU](#) [41-40011](#) [42-00006](#) [42-01015](#) [4-22279-4](#) [4-22281-1](#) [4-22284-9](#) [43-00113](#) [43-01088](#) [43-01203](#) [41-](#)  
[40013](#) [42-00008](#) [43-00343](#) [43-01026](#) [43-01162](#) [43-01173](#) [43-10000](#) [XS3P-M421-2](#) [600X518050X](#) [SACC-DSI-FS-5P-PG9-L180 SC](#)  
[8R5006A16M020](#) [8R5006A16M005](#) [8R4000A16M010](#) [6-22279-3](#) [1605332](#) [N03FA03144](#) [1300140077](#) [43-16213](#) [43-01338](#) [XS2RD4265](#)  
[XS2R-D426-1](#)