

Screw - HC-HS-PES - 1586219


Please be informed that the data shown in this PDF Document is generated from our Online Catalog. Please find the complete data in the user's documentation. Our General Terms of Use for Downloads are valid (<http://phoenixcontact.com/download>)



PE screw, for HC-HS contact inserts



Key Commercial Data

| | |
|------------------------|---|
| Packing unit | 10 pc |
| Minimum order quantity | 10 pc |
| GTIN |  4 046356 367172 |
| GTIN | 4046356367172 |

Technical data

General

| | |
|----------|---|
| Note | PE screw, for contact inserts HC-HS, HC-B06-UTT |
| Size | PE screw |
| Material | Steel, galvanized |
| Note | PE screw, for contact inserts HC-HS, HC-B06-UTT |

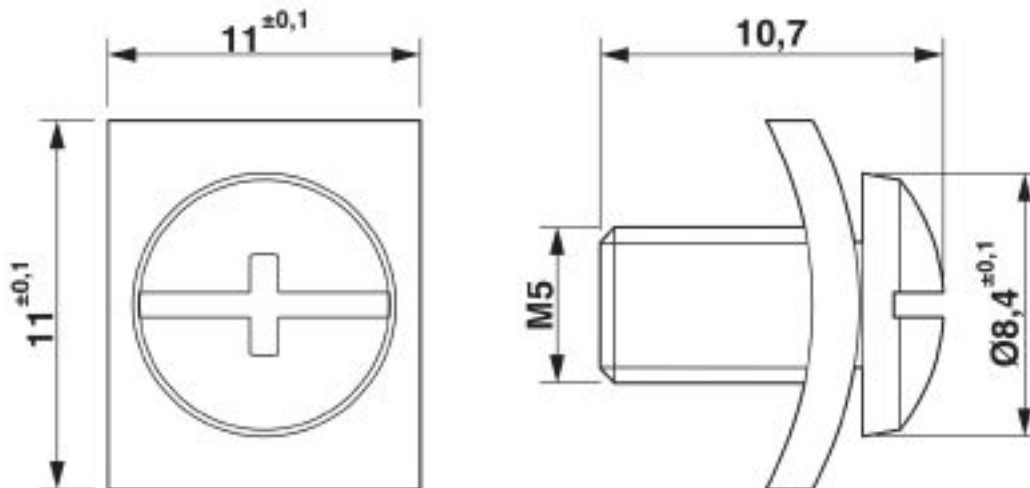
Environmental Product Compliance

| | |
|------------|---|
| China RoHS | Environmentally friendly use period: unlimited = EFUP-e |
| | No hazardous substances above threshold values |

Drawings

Screw - HC-HS-PES - 1586219

Dimensional drawing



Dimensional drawing

Classifications

eCl@ss

| | |
|---------------|----------|
| eCl@ss 10.0.1 | 23110190 |
| eCl@ss 4.0 | 27378000 |
| eCl@ss 4.1 | 27378000 |
| eCl@ss 5.0 | 27379100 |
| eCl@ss 5.1 | 27379100 |
| eCl@ss 6.0 | 27379200 |
| eCl@ss 7.0 | 27379201 |
| eCl@ss 8.0 | 23110190 |
| eCl@ss 9.0 | 23110190 |

ETIM

| | |
|----------|----------|
| ETIM 3.0 | EC000032 |
| ETIM 4.0 | EC002365 |
| ETIM 5.0 | EC002498 |
| ETIM 6.0 | EC002498 |
| ETIM 7.0 | EC002498 |

UNSPSC

| | |
|---------------|----------|
| UNSPSC 6.01 | 30211817 |
| UNSPSC 7.0901 | 39121416 |
| UNSPSC 11 | 43172601 |
| UNSPSC 12.01 | 39121522 |
| UNSPSC 13.2 | 39121421 |
| UNSPSC 19.0 | 39121421 |

Phoenix Contact 2020 © - all rights reserved
<http://www.phoenixcontact.com>

PHOENIX CONTACT GmbH & Co. KG
Flachsmarktstr. 8
32825 Blomberg
Germany
Tel. +49 5235 300
Fax +49 5235 3 41200
<http://www.phoenixcontact.com>

X-ON Electronics

Largest Supplier of Electrical and Electronic Components

Click to view similar products for [Heavy Duty Power Connectors](#) category:

Click to view products by [Phoenix Contact](#) manufacturer:

Other Similar products are found below :

[647757-1](#) [6643411-1](#) [6646058-2](#) [6646137-1](#) [6646138-1](#) [6646479-1](#) [6646608-1](#) [6646786-1](#) [6646940-1](#) [6651091-1](#) [6651525-1](#) [6651529-1](#)
[6651788-1](#) [696475-1](#) [702-32-01109](#) [703-25-02205](#) [73000005059](#) [73000005642](#) [73080255059](#) [73080965046](#) [765-15-0080A](#) [765-16-0080B](#)
[765-18-0080D](#) [829992-1](#) [902-77-02113](#) [PS00/A0620/6300](#) [PS25/A0420/63](#) [129-1J](#) [1409400](#) [AN0024023](#) [E6374G1](#) [e6389g2](#) [157-43GW8](#)
[MS3117-14AC](#) [1643543-1](#) [1650540-1](#) [1651811-2](#) [1766260-1](#) [1766282-1](#) [1766966-1](#) [1791340000](#) [NLDFT-3-BL-L-S120-M40A](#) [NLDFT-N-](#)
[W-L-C240-M40B](#) [NLS-2-R-C240-M40B](#) [NLS-N-W-C240-M40B](#) [NPS-3-BL-T6](#) [1986615-1](#) [2-1589900-8](#) [2199314-1](#) [KA8102](#)