

# Contact insert module - HC-M-02-MOD-BUC - 1587519


Please be informed that the data shown in this PDF Document is generated from our Online Catalog. Please find the complete data in the user's documentation. Our General Terms of Use for Downloads are valid (<http://phoenixcontact.com/download>)



Contact insert module, number of positions: 2, Socket, Crimp connection, 1000 V, 40 A, 1.5 mm<sup>2</sup> ... 10 mm<sup>2</sup>, application: Power



## Key Commercial Data

Packing unit	2 pc
Minimum order quantity	2 pc
GTIN	 4 046356 527927
GTIN	4046356527927

## Technical data

### Dimensions

Height	42.4 mm
Width	34.2 mm
Length	14.6 mm

### Electrical characteristics

Rated voltage (III/3)	1000 V
Rated current	40 A
Rated surge voltage	8 kV
Connection profile	2

### Ambient conditions

Ambient temperature (operation)	-40 °C ... 125 °C
---------------------------------	-------------------

### Mechanical characteristics

Conductor cross section	1.5 mm <sup>2</sup> ... 10 mm <sup>2</sup>
Connection cross section AWG	16 ... 8
Stripping length of the individual wire	9 mm (for 1.5 ... 2.5 mm <sup>2</sup> )
	9.6 mm (for 4 mm <sup>2</sup> ... 6 mm <sup>2</sup> )

# Contact insert module - HC-M-02-MOD-BUC - 1587519

## Technical data

### Mechanical characteristics

	18 mm (for 10 mm <sup>2</sup> )
Contact diameter	4 mm
Insertion/withdrawal cycles	≥ 500

### General

Note	For HEAVYCON housing type B6 to B48, HC-M-MHR... hinged retaining frame required, CK4,0-ED... crimp contacts (crimp contacts not supplied as standard)
Series	HC-M-02
Number of module slots	1
Connection method	Crimp connection
Connection in acc. with standard	IEC / EN
Contact type	turned
Flammability rating according to UL 94	V0
Degree of pollution	3
Overvoltage category	III

### Material data

Contact material	Copper alloy
Contact surface material	Ag
Contact carrier material	PC

### Standards and Regulations

Connection in acc. with standard	UL
Flammability rating according to UL 94	V0

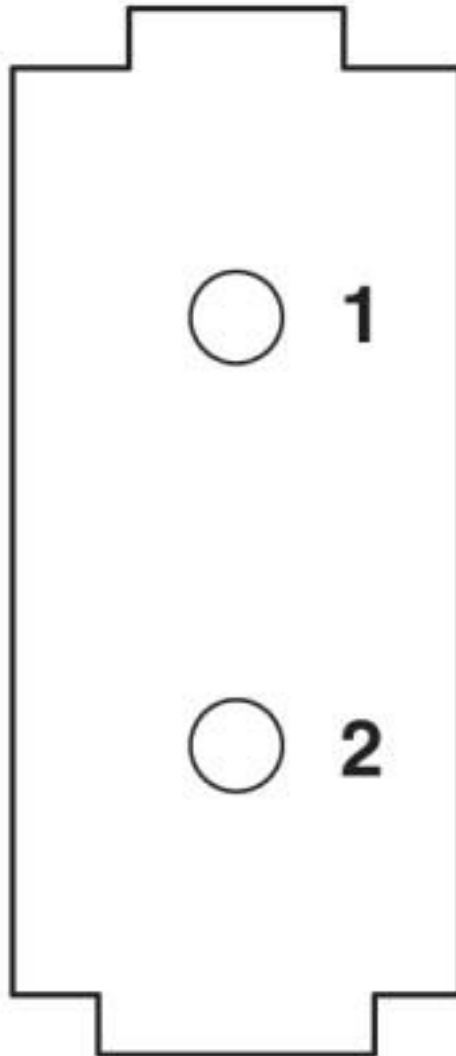
### Environmental Product Compliance

China RoHS	Environmentally friendly use period: unlimited = EFUP-e
	No hazardous substances above threshold values

## Drawings

## Contact insert module - HC-M-02-MOD-BUC - 1587519

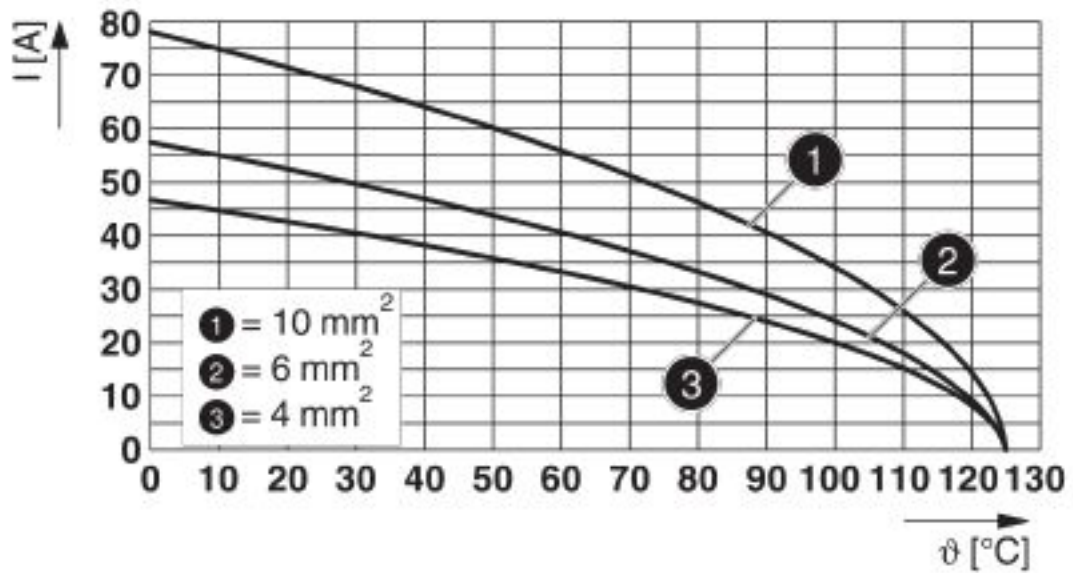
Schematic diagram



Connector pin assignment

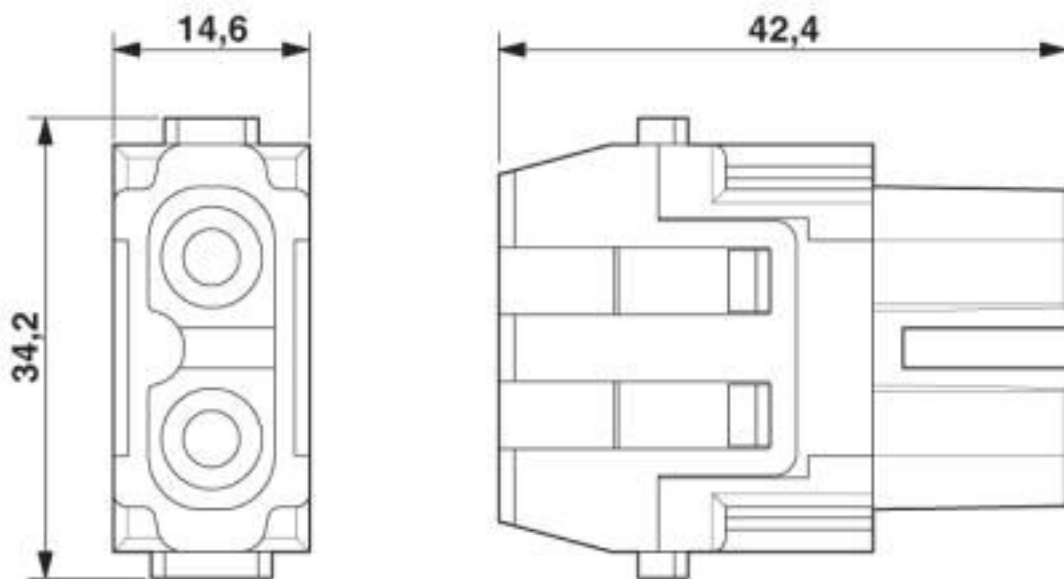
# Contact insert module - HC-M-02-MOD-BUC - 1587519

Diagram



Derating diagram

Dimensional drawing



Female insert

## Classifications

eCl@ss

eCl@ss 4.0	27140816
eCl@ss 4.1	27140816

# Contact insert module - HC-M-02-MOD-BUC - 1587519

## Classifications

### eCl@ss

eCl@ss 5.0	27143424
eCl@ss 5.1	27261200
eCl@ss 6.0	27261200
eCl@ss 7.0	27440205
eCl@ss 8.0	27440205
eCl@ss 9.0	27440217

### ETIM

ETIM 2.0	EC000438
ETIM 3.0	EC000438
ETIM 4.0	EC000438
ETIM 5.0	EC000438
ETIM 6.0	EC000438

### UNSPSC

UNSPSC 6.01	30211923
UNSPSC 7.0901	39121522
UNSPSC 11	39121522
UNSPSC 12.01	39121522
UNSPSC 13.2	39121522
UNSPSC 19.0	39121522

## Accessories

### Accessories

#### Crimp contact

Crimp contact - CK4,0-ED-1,50BU AG - 1663271



Turned 4.0 crimp contact, individual female contact, core diameter 1.50 mm<sup>2</sup>, silver-plated

Crimp contact - CK4,0-ED-2,50BU AG - 1663284



Turned 4.0 crimp contact, individual female contact, core diameter 2.50 mm<sup>2</sup>, silver-plated

## Contact insert module - HC-M-02-MOD-BUC - 1587519

### Accessories

Crimp contact - CK4,0-ED-4,00BU AG - 1663297



Turned 4.0 crimp contact, individual female contact, core diameter 4.00 mm<sup>2</sup>, silver-plated

---

Crimp contact - CK4,0-ED-6,00BU AG - 1663307



Turned 4.0 crimp contact, individual female contact, core diameter 6.00 mm<sup>2</sup>, silver-plated

---

Crimp contact - CK4,0-ED-10,00BU AG - 1586183



Turned 4.0 crimp contact, single socket contact, 10 mm<sup>2</sup> conductor cross section, silver-plated

---

### Crimping tool

Crimping pliers - CRIMPFOX-TC 4 - 1212113



Crimping pliers, for CK 1,6-ED..., CK 2,5-ED..., CK 4,0-ED... turned contacts, 4 marked die stations, unlockable pressure lock, lateral entry, incl. positioning tool

---

Crimping pliers - CRIMPFOX-TC 10 - 1212114



Crimping pliers, for turned contacts with a pin diameter of 4.0 mm, two marked die stations, pressure lock can be released, lateral entry, incl. positioning help

---

### Mounting material

## Contact insert module - HC-M-02-MOD-BUC - 1587519

### Accessories

Cable lug - HC-M-MHR-PE16 - 1636981



Cable lug for HEAVYCON-MODULAR; PE connection extension to 16 mm<sup>2</sup>, for crimping with crimp pliers

---

### Universal tools

Contact removal tool - UNIFOX RT-CK 4.0 - 1072064



Contact removal tool, for rotated CK-4,0-... contacts

---

Phoenix Contact 2020 © - all rights reserved  
<http://www.phoenixcontact.com>

PHOENIX CONTACT GmbH & Co. KG  
Flachsmarktstr. 8  
32825 Blomberg  
Germany  
Tel. +49 5235 300  
Fax +49 5235 3 41200  
<http://www.phoenixcontact.com>

## X-ON Electronics

Largest Supplier of Electrical and Electronic Components

*Click to view similar products for [Heavy Duty Power Connectors](#) category:*

*Click to view products by [Phoenix Contact](#) manufacturer:*

Other Similar products are found below :

[647757-1](#) [6643411-1](#) [6646058-2](#) [6646137-1](#) [6646138-1](#) [6646479-1](#) [6646608-1](#) [6646786-1](#) [6646940-1](#) [6651091-1](#) [6651525-1](#) [6651529-1](#)  
[6651788-1](#) [696475-1](#) [702-32-01109](#) [703-25-02205](#) [73000005059](#) [73000005642](#) [765-15-0080A](#) [765-16-0080B](#) [765-18-0080D](#) [829992-1](#)  
[902-77-02113](#) [PS00/A0620/6300](#) [129-1J](#) [1409400](#) [AN0024023](#) [E6374G1](#) [e6389g2](#) [157-43GW8](#) [MS3117-14AC](#) [1643543-1](#) [1650540-1](#)  
[1651811-2](#) [1766260-1](#) [1766282-1](#) [1766966-1](#) [1791340000](#) [NLDFT-3-BL-L-S120-M40A](#) [NLDFT-N-W-L-C240-M40B](#) [NLS-2-R-C240-](#)  
[M40B](#) [NLS-N-W-C240-M40B](#) [NPS-3-BL-T6](#) [1986615-1](#) [2-1589900-8](#) [2199314-1](#) [KA8102](#) [9300480317](#) [SBS50BRN#6](#) [29131](#)