

Connector set - DC-B 6-SET-HD-M20-M-7X4-UT - 1602216

Please be informed that the data shown in this PDF Document is generated from our Online Catalog. Please find the complete data in the user's documentation. Our General Terms of Use for Downloads are valid (<http://phoenixcontact.com/download>)



Duplicon, aluminum stackable connector set with a stackable housing with M20 cable screw connection thread (without cable screw connection), and a contact insert 6 x 4 mm² + PE, 400/690 V, 25 A, screw connection, type B6, IP67 protection



Key Commercial Data

| | |
|--------------|---------------|
| Packing unit | 1 pc |
| GTIN | |
| GTIN | 4046356027915 |

Technical data

Dimensions

| | |
|--------|-------|
| Height | 55 mm |
|--------|-------|

Ambient conditions

| | |
|---------------------------------|-------------------|
| Degree of protection | IP65/IP66/IP67 |
| Ambient temperature (operation) | -40 °C ... 100 °C |

Electrical characteristics

| | |
|-----------------------|---|
| Rated voltage (III/3) | 400 V (L-PE) |
| | 690 V (L-L) |
| Rated surge voltage | 6 kV |
| Rated current | 25 A (with 4 mm ² conductor cross section) |
| Maximum load current | 32 A (L1/L2/L3) |
| Overvoltage category | III |
| Degree of pollution | 3 |

Material data

| | |
|--------------------------|--------------|
| Contact material | Copper alloy |
| Contact surface material | Ag |
| Contact carrier material | PA |

Connector set - DC-B 6-SET-HD-M20-M-7X4-UT - 1602216

Technical data

Material data

| | |
|------------------------------|-------------------|
| Housing material | Aluminum die-cast |
| Housing surface material | uncoated |
| Seal material | NBR |
| Locking latch material | Stainless steel |
| Material grip body interlock | PA |

General

| | |
|---|---|
| Type | DC-B6 |
| Color | pearl gray |
| Insertion/withdrawal cycles | ≥ 100 |
| Number of positions | 6 |
| Stripping length of the individual wire | 10 mm |
| Conductor cross section | 0.2 mm ² ... 4 mm ² (6 mm ² without ferrule) |
| Connection cross section AWG | 24 ... 12 (AWG 10 without ferrule) |
| Tightening torque | 0.5 Nm ... 0.6 Nm |
| Pg screw connection | none |
| Type of the screw connection | with M20 thread |
| Cable outlet | lateral |

Standards and Regulations

| | |
|--|-----|
| Connection in acc. with standard | CUL |
| Flammability rating according to UL 94 | V0 |

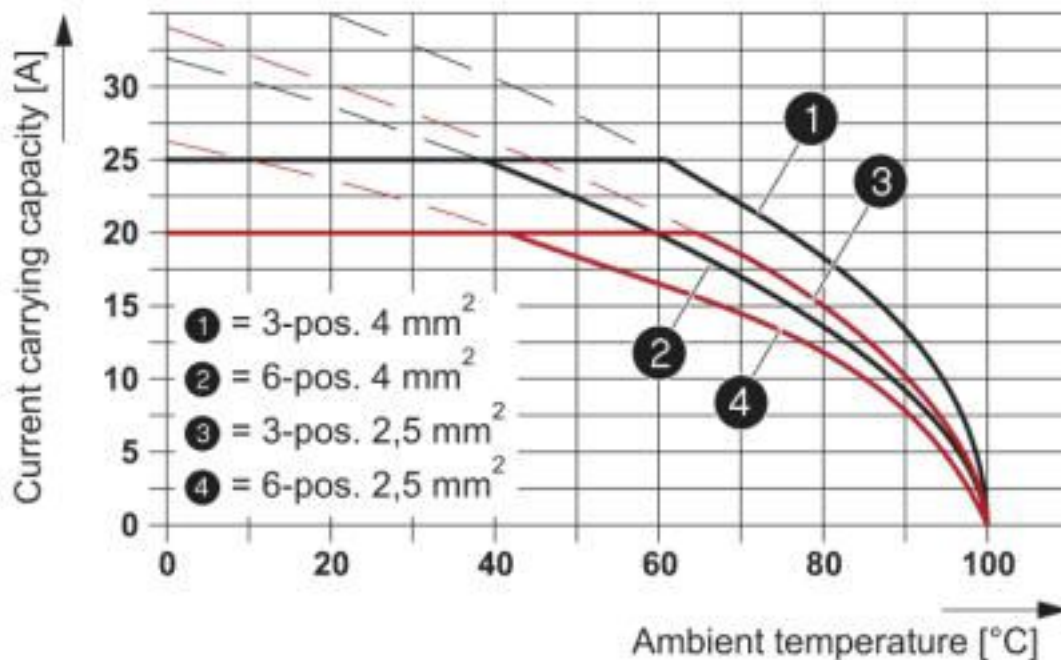
Environmental Product Compliance

| | |
|------------|---|
| REACH SVHC | Lead 7439-92-1 |
| China RoHS | Environmentally Friendly Use Period = 50 years |
| | For details about hazardous substances go to tab "Downloads", Category "Manufacturer's declaration" |

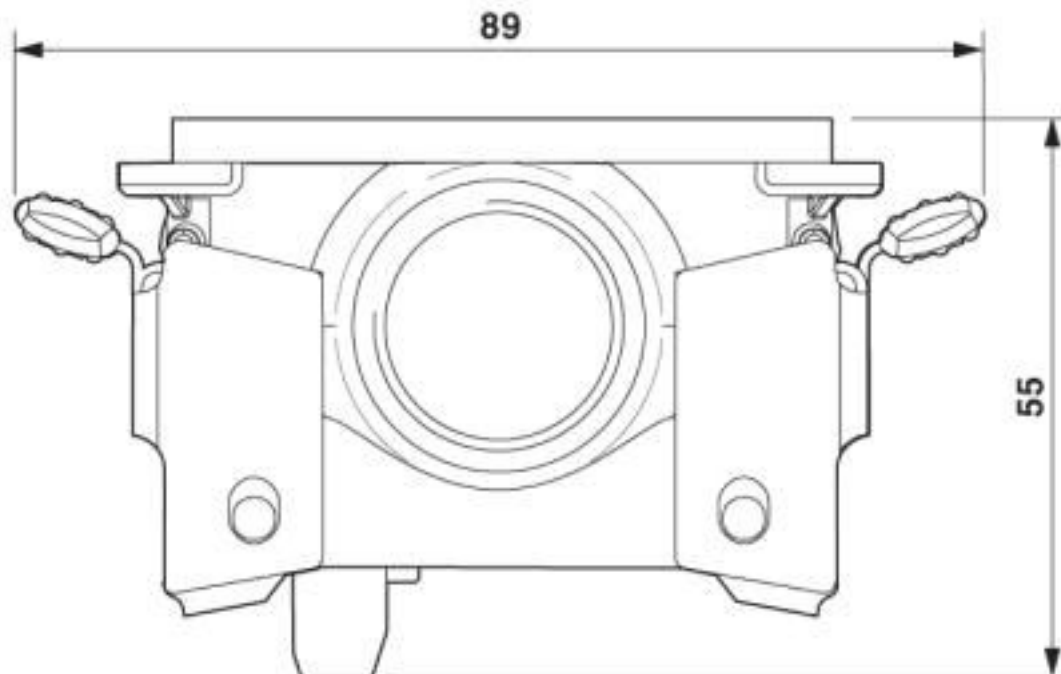
Drawings

Connector set - DC-B 6-SET-HD-M20-M-7X4-UT - 1602216

Diagram



Dimensional drawing



Dimensional drawing

Connector set - DC-B 6-SET-HD-M20-M-7X4-UT - 1602216

Articles in set

Stackable housing - DC-B 6-HD-M20-M - 1602041



DUPLICON, aluminum stackable housing for DUPLICON contact inserts, type B6, IP67 protection, with two locking latches, gasket and an M20 cable screw connection thread (without cable screw connection)

Contact insert - DC-B 6-ID-7X4-UT - 1602203



DUPLICON, connector contact insert, 6 x 4 mm² + PE, 400/690 V, 25 A, screw connection, type B6, IP20 protection

Classifications

eCl@ss

| | |
|---------------|----------|
| eCl@ss 10.0.1 | 27440101 |
| eCl@ss 4.0 | 27140800 |
| eCl@ss 4.1 | 27140800 |
| eCl@ss 5.0 | 27143400 |
| eCl@ss 5.1 | 27261200 |
| eCl@ss 6.0 | 27261200 |
| eCl@ss 7.0 | 27440202 |
| eCl@ss 8.0 | 27440101 |
| eCl@ss 9.0 | 27440101 |

ETIM

| | |
|----------|----------|
| ETIM 2.0 | EC001121 |
| ETIM 3.0 | EC000437 |
| ETIM 4.0 | EC000437 |
| ETIM 5.0 | EC000437 |
| ETIM 6.0 | EC002636 |
| ETIM 7.0 | EC002636 |

UNSPSC

| | |
|---------------|----------|
| UNSPSC 6.01 | 30211923 |
| UNSPSC 7.0901 | 39121522 |
| UNSPSC 11 | 39121522 |
| UNSPSC 12.01 | 39121522 |
| UNSPSC 13.2 | 31261501 |

Connector set - DC-B 6-SET-HD-M20-M-7X4-UT - 1602216

Classifications

UNSPSC

| | |
|-------------|----------|
| UNSPSC 18.0 | 39121409 |
| UNSPSC 19.0 | 39121409 |
| UNSPSC 20.0 | 39121409 |
| UNSPSC 21.0 | 39121409 |

Approvals


Approvals


Approvals

UL Recognized / cUL Recognized / EAC / cULus Recognized

Ex Approvals

Approval details

| | | | |
|----------------------------|---|---|---------------|
| UL Recognized |  | http://database.ul.com/cgi-bin/XYV/template/LISEXT/1FRAME/index.htm | FILE E 118976 |
| Nominal voltage UN | 600 V | | |
| Nominal current IN | 25 A | | |
| mm ² /AWG/kcmil | 12 | | |

| | | | |
|----------------------------|---|---|---------------|
| cUL Recognized |  | http://database.ul.com/cgi-bin/XYV/template/LISEXT/1FRAME/index.htm | FILE E 118976 |
| Nominal voltage UN | 600 V | | |
| Nominal current IN | 25 A | | |
| mm ² /AWG/kcmil | 12 | | |

| | | |
|-----|---|--------------------------|
| EAC |  | RU C- DE.BL08.B.00511 |
|-----|---|--------------------------|

| | |
|------------------|---|
| cULus Recognized |  |
|------------------|---|

Connector set - DC-B 6-SET-HD-M20-M-7X4-UT - 1602216

Accessories

Accessories

Coding element

Coding star - PC - 3040588



Coding star, length: 3 mm, width: 3 mm, height: 6 mm, color: red

Full screw connection

Cable gland - G-INSEC-M20-S68N-NCRS-S - 1411189



Cable gland, cable gland material: Nickel-plated brass, external cable diameter 9 mm ... 13 mm, shielding: yes, connecting thread: M20 x 1.5, color: silver, with O-ring

Cable gland - HC-M-KV-M20(11-16) - 1645998



Metal screw connection up to 5 bar, thread length: 6 mm, cable diameter: 11 - 16 mm, WAF 27, screw connection: M20

Cable gland - G-INS-M20-S68N-NNES-S - 1411163



Cable gland, cable gland material: Nickel-plated brass, external cable diameter 6 mm ... 12 mm, shielding: no, connecting thread: M20 x 1.5, color: silver, with O-ring

Insertion bridge

Insertion bridge - EB 2- 6 - 0201155



Insertion bridge, pitch: 6.2 mm, number of positions: 2, color: gray

Connector set - DC-B 6-SET-HD-M20-M-7X4-UT - 1602216

Accessories

Plug for cable screw gland

Screw plug - HC-M-BS-M20 - 1645846



Screw plug, cable gland material: Nickel-plated brass, connecting thread: M20 x 1.5, color: silver

Protective cover

Dust protection cover - DC-B 6-CT-P - 1581078



DUPLICON snap-on dust protection cover, polyamide (can be coated)

Seal

Seal - DC-B 6-A-HD-G - 1602326



DUPLICON, profile gasket for stackable housing, made of conductive EPDM

Phoenix Contact 2020 © - all rights reserved
<http://www.phoenixcontact.com>

PHOENIX CONTACT GmbH & Co. KG
Flachsmarktstr. 8
32825 Blomberg
Germany
Tel. +49 5235 300
Fax +49 5235 3 41200
<http://www.phoenixcontact.com>

X-ON Electronics

Largest Supplier of Electrical and Electronic Components

Click to view similar products for [Heavy Duty Power Connectors](#) category:

Click to view products by [Phoenix Contact](#) manufacturer:

Other Similar products are found below :

[647757-1](#) [6643411-1](#) [6646058-2](#) [6646137-1](#) [6646138-1](#) [6646479-1](#) [6646608-1](#) [6646786-1](#) [6646940-1](#) [6651091-1](#) [6651525-1](#) [6651529-1](#)
[6651788-1](#) [696475-1](#) [702-32-01109](#) [703-25-02205](#) [73000005059](#) [73000005642](#) [765-15-0080A](#) [765-16-0080B](#) [765-18-0080D](#) [829992-1](#)
[902-77-02113](#) [PS00/A0620/6300](#) [129-1J](#) [1409400](#) [AN0024023](#) [E6374G1](#) [e6389g2](#) [157-43GW8](#) [MS3117-14AC](#) [1643543-1](#) [1650540-1](#)
[1651811-2](#) [1766260-1](#) [1766282-1](#) [1766966-1](#) [1791340000](#) [NLDFT-3-BL-L-S120-M40A](#) [NLDFT-N-W-L-C240-M40B](#) [NLS-2-R-C240-](#)
[M40B](#) [NLS-N-W-C240-M40B](#) [NPS-3-BL-T6](#) [1986615-1](#) [2-1589900-8](#) [2199314-1](#) [KA8102](#) [9300480317](#) [SBS50BRN#6](#) [29131](#)