

# Connector set - DC-B 6-SET-3D-M25-M-7X4-UT - 1602300

Please be informed that the data shown in this PDF Document is generated from our Online Catalog. Please find the complete data in the user's documentation. Our General Terms of Use for Downloads are valid (<http://phoenixcontact.com/download>)



Duplicon, aluminum distributor set with a basic housing (enclosed bottom), with three stackable housings with M25 cable screw connection threads (without cable screw connections), with three contact inserts 6 x 4 mm<sup>2</sup> + PE, 400/690 V, 25 A, screw connection and a housing cover, type B6, IP67 protection



## Key Commercial Data

Packing unit	1 pc
GTIN	
GTIN	4046356028004

## Technical data

### Dimensions

Height	151 mm
--------	--------

### Ambient conditions

Degree of protection	IP65/IP66/IP67
Ambient temperature (operation)	-40 °C ... 100 °C

### Electrical characteristics

Rated voltage (III/3)	400 V (L-PE)
	690 V (L-L)
Rated surge voltage	6 kV
Rated current	25 A (with 4 mm <sup>2</sup> conductor cross section)
Maximum load current	32 A (L1/L2/L3)
Overvoltage category	III
Degree of pollution	3

### Material data

Contact material	Copper alloy
Contact surface material	Ag
Contact carrier material	PA

# Connector set - DC-B 6-SET-3D-M25-M-7X4-UT - 1602300

## Technical data

### Material data

Housing material	Aluminum die-cast
Housing surface material	uncoated
Seal material	NBR
Locking latch material	Stainless steel
Material grip body interlock	PA

### General

Type	DC-B6
Color	pearl gray
Insertion/withdrawal cycles	≥ 100
Number of positions	6
Stripping length of the individual wire	10 mm
Conductor cross section	0.2 mm <sup>2</sup> ... 4 mm <sup>2</sup> (6 mm <sup>2</sup> without ferrule)
Connection cross section AWG	24 ... 12 (AWG 10 without ferrule)
Tightening torque	0.5 Nm ... 0.6 Nm
Pg screw connection	none
Type of the screw connection	with M25 thread
Cable outlet	lateral

### Standards and Regulations

Connection in acc. with standard	CUL
Flammability rating according to UL 94	V0

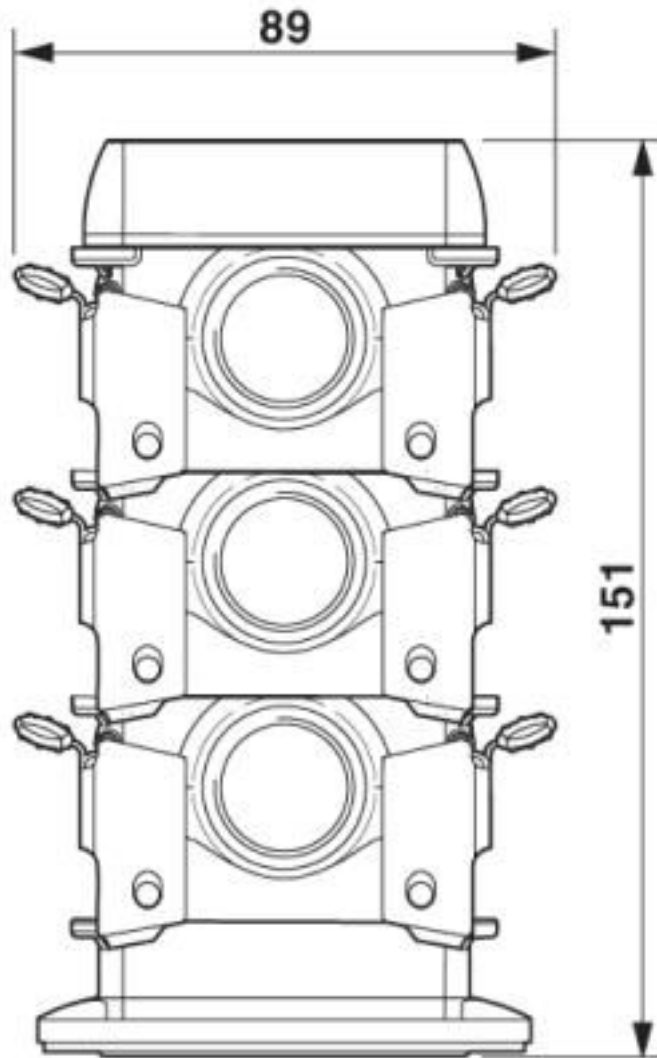
### Environmental Product Compliance

REACH SVHC	Lead 7439-92-1
China RoHS	Environmentally Friendly Use Period = 50 years
	For details about hazardous substances go to tab "Downloads", Category "Manufacturer's declaration"

## Drawings

# Connector set - DC-B 6-SET-3D-M25-M-7X4-UT - 1602300

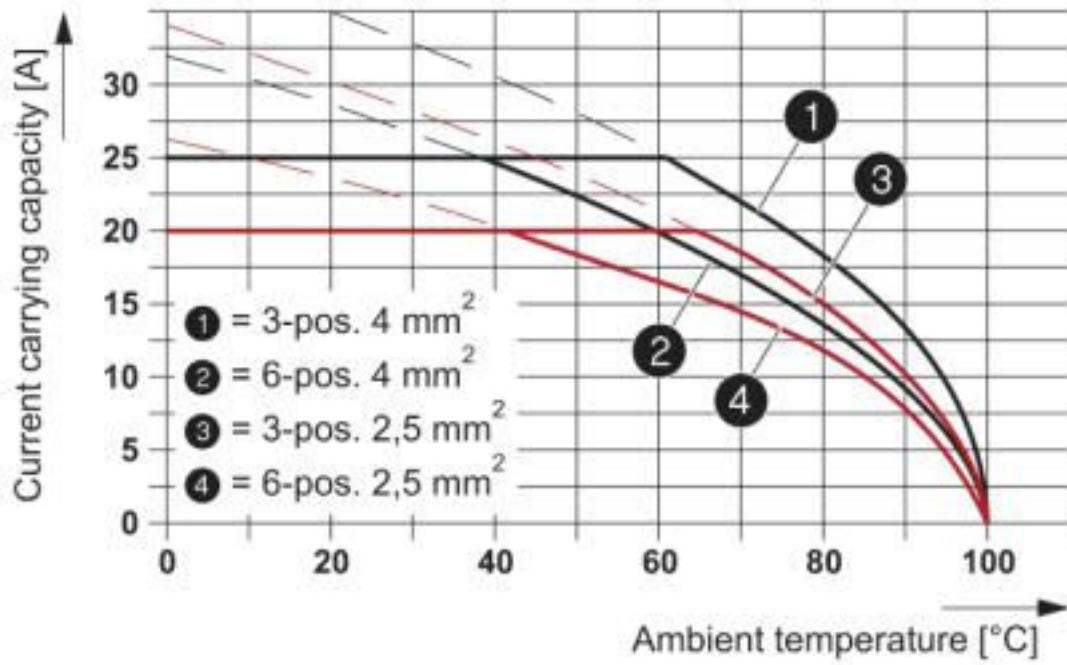
Dimensional drawing



Dimensional drawing

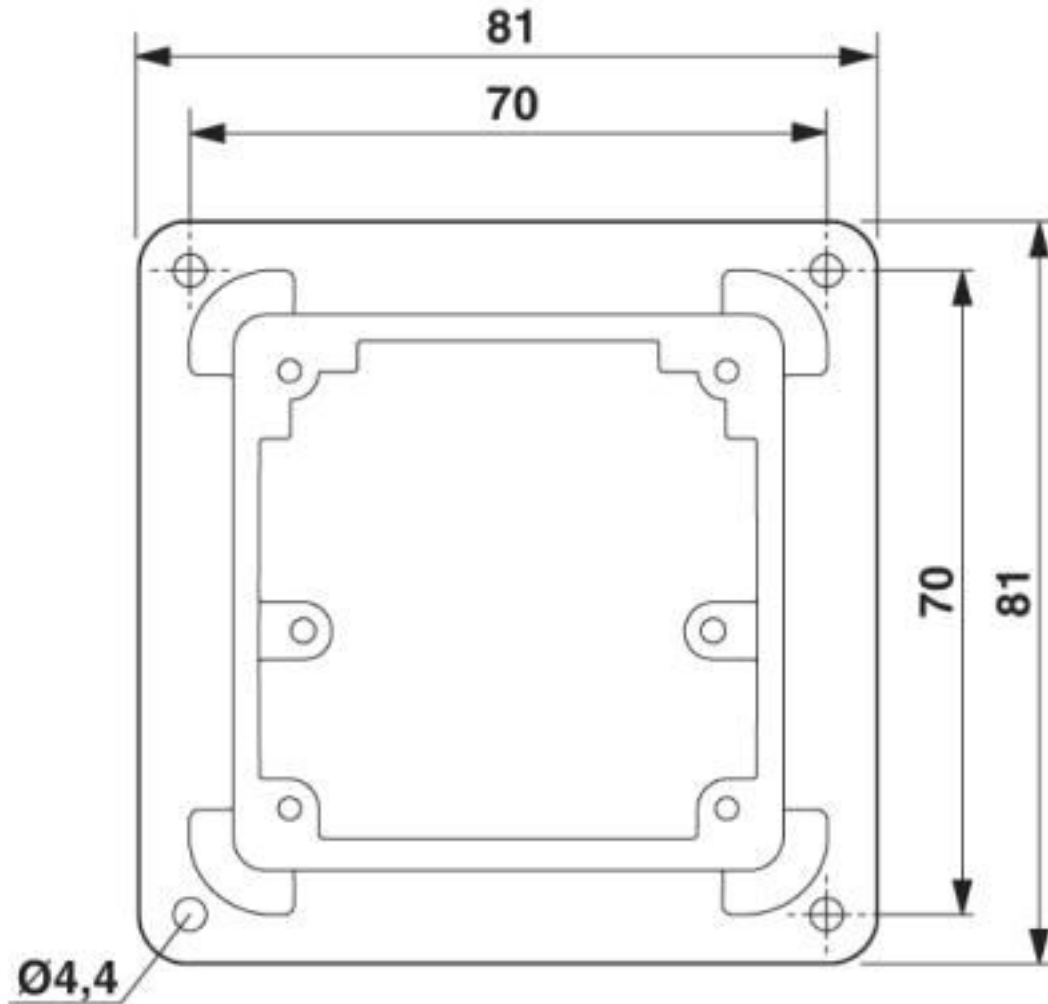
# Connector set - DC-B 6-SET-3D-M25-M-7X4-UT - 1602300

Diagram



## Connector set - DC-B 6-SET-3D-M25-M-7X4-UT - 1602300

Dimensional drawing



Dimensional drawing

### Articles in set

Stackable housing - DC-B 6-HD-M25-M - 1602054



DUPLICON, aluminum stackable housing for DUPLICON contact inserts, type B6, IP67 protection, with two locking latches, gasket and an M25 cable screw connection thread (without cable screw connection)

# Connector set - DC-B 6-SET-3D-M25-M-7X4-UT - 1602300

## Articles in set

Contact insert - DC-B 6-ID-7X4-UT - 1602203



DUPLICON, connector contact insert, 6 x 4 mm<sup>2</sup> + PE, 400/690 V, 25 A, screw connection, type B6, IP20 protection

Housing cover - DC-B 6-CT-M - 1602025



DUPLICON, aluminum housing cover, type B6, IP67 protection, with two M3 screws, V2A, captive, gasket and hole for retaining cord, for self-tapping M3 screw

Basic housing - DC-B 6-HM-M - 1602164



DUPLICON, aluminum basic housing with enclosed bottom, type B6, IP67 protection

## Classifications

### eCl@ss

eCl@ss 10.0.1	27440101
eCl@ss 4.0	27140800
eCl@ss 4.1	27140800
eCl@ss 5.0	27143400
eCl@ss 5.1	27261200
eCl@ss 6.0	27261200
eCl@ss 7.0	27440202
eCl@ss 8.0	27440101
eCl@ss 9.0	27440101

### ETIM

ETIM 2.0	EC001121
ETIM 3.0	EC000437
ETIM 4.0	EC000437
ETIM 5.0	EC000437
ETIM 6.0	EC002636
ETIM 7.0	EC002636

# Connector set - DC-B 6-SET-3D-M25-M-7X4-UT - 1602300

## Classifications

### UNSPSC

UNSPSC 6.01	30211923
UNSPSC 7.0901	39121522
UNSPSC 11	39121522
UNSPSC 12.01	39121522
UNSPSC 13.2	31261501
UNSPSC 18.0	39121409
UNSPSC 19.0	39121409
UNSPSC 20.0	39121409
UNSPSC 21.0	39121409

## Approvals


### Approvals


#### Approvals


UL Recognized / cUL Recognized / EAC / cULus Recognized

#### Ex Approvals

### Approval details

UL Recognized		<a href="http://database.ul.com/cgi-bin/XYV/template/LISEXT/1FRAME/index.htm">http://database.ul.com/cgi-bin/XYV/template/LISEXT/1FRAME/index.htm</a>	FILE E 118976
Nominal voltage UN	600 V		
Nominal current IN	25 A		
mm²/AWG/kcmil	12		

cUL Recognized		<a href="http://database.ul.com/cgi-bin/XYV/template/LISEXT/1FRAME/index.htm">http://database.ul.com/cgi-bin/XYV/template/LISEXT/1FRAME/index.htm</a>	FILE E 118976
Nominal voltage UN	600 V		
Nominal current IN	25 A		
mm²/AWG/kcmil	12		

EAC		RU C- DE.BL08.B.00511
-----	---	--------------------------

## Connector set - DC-B 6-SET-3D-M25-M-7X4-UT - 1602300

### Approvals

cULus Recognized



### Accessories

#### Accessories

#### Coding element

Coding star - PC - 3040588



Coding star, length: 3 mm, width: 3 mm, height: 6 mm, color: red

### Full screw connection

Cable gland - G-INS-M25-M68N-NNES-S - 1411165



Cable gland, cable gland material: Nickel-plated brass, external cable diameter 11 mm ... 17 mm, shielding: no, connecting thread: M25 x 1.5, color: silver, with O-ring

Cable gland - G-INSEC-M25-S68N-NCRS-S - 1411190



Cable gland, cable gland material: Nickel-plated brass, external cable diameter 11 mm ... 16 mm, shielding: yes, connecting thread: M25 x 1.5, color: silver, with O-ring

Cable gland - G-INS-M25-S68N-NNES-S - 1424527



Cable gland, cable gland material: Nickel-plated brass, external cable diameter 10 mm ... 14 mm, shielding: no, connecting thread: M25 x 1.5, color: silver, with O-ring



## Connector set - DC-B 6-SET-3D-M25-M-7X4-UT - 1602300

### Accessories

Cable gland - HC-M-KV-M25(14-21) - 1646007



Metal screw connection up to 5 bar, thread length: 7 mm, cable diameter: 14 - 21 mm, WAF 34, screw connection: M25

---

### Insertion bridge

Insertion bridge - EB 2- 6 - 0201155



Insertion bridge, pitch: 6.2 mm, number of positions: 2, color: gray

---

### Mounting material

Mounting brackets - DC-B 6-A-SA - 1602313



DUPLICON, mounting bracket, made of 3 mm high-grade steel plate, with predrilled holes

---

Screw - T20-M4X12 - 1602410



M4 Torx head screw T20, 12 mm long, self tapping, consisting of high-strength steel, anti-corrosive

---

### Multiple screw connection

Cable gland - HC-M-KV-M25(1X10/1X11) - 1580228



Special cable screw connection M25, brass nickel-plated, grommet with 10 mm and 11 mm holes

---

### Plug for cable screw gland

## Connector set - DC-B 6-SET-3D-M25-M-7X4-UT - 1602300

### Accessories

Screw plug - HC-M-BS-M25 - 1645859



Screw plug, cable gland material: Nickel-plated brass, connecting thread: M25 x 1.5, color: silver

---

### Protective cover

Dust protection cover - DC-B 6-CT-P - 1581078



DUPLICON snap-on dust protection cover, polyamide (can be coated)

---

### Seal

Seal - DC-B 6-A-HD-G - 1602326



DUPLICON, profile gasket for stackable housing, made of conductive EPDM

---

Phoenix Contact 2020 © - all rights reserved  
<http://www.phoenixcontact.com>

PHOENIX CONTACT GmbH & Co. KG  
Flachsmarktstr. 8  
32825 Blomberg  
Germany  
Tel. +49 5235 300  
Fax +49 5235 3 41200  
<http://www.phoenixcontact.com>

## X-ON Electronics

Largest Supplier of Electrical and Electronic Components

*Click to view similar products for [Heavy Duty Power Connectors](#) category:*

*Click to view products by [Phoenix Contact](#) manufacturer:*

Other Similar products are found below :

[647757-1](#) [6643411-1](#) [6646058-2](#) [6646137-1](#) [6646138-1](#) [6646479-1](#) [6646608-1](#) [6646786-1](#) [6646940-1](#) [6651091-1](#) [6651525-1](#) [6651529-1](#)  
[6651788-1](#) [696475-1](#) [702-32-01109](#) [703-25-02205](#) [73000005059](#) [73000005642](#) [765-15-0080A](#) [765-16-0080B](#) [765-18-0080D](#) [829992-1](#)  
[902-77-02113](#) [PS00/A0620/6300](#) [129-1J](#) [1409400](#) [AN0024023](#) [E6374G1](#) [e6389g2](#) [157-43GW8](#) [MS3117-14AC](#) [1643543-1](#) [1650540-1](#)  
[1651811-2](#) [1766260-1](#) [1766282-1](#) [1766966-1](#) [1791340000](#) [NLDFT-3-BL-L-S120-M40A](#) [NLDFT-N-W-L-C240-M40B](#) [NLS-2-R-C240-](#)  
[M40B](#) [NLS-N-W-C240-M40B](#) [NPS-3-BL-T6](#) [1986615-1](#) [2-1589900-8](#) [2199314-1](#) [KA8102](#) [9300480317](#) [SBS50BRN#6](#) [29131](#)