

# Housing - HC-B 6-SML-52/O1M20 - 1604721

Please be informed that the data shown in this PDF Document is generated from our Online Catalog. Please find the complete data in the user's documentation. Our General Terms of Use for Downloads are valid (<http://phoenixcontact.com/download>)



HEAVYCON box mounting base B6, with single locking latch. Height 52 mm, with support 1x M20

## Key Commercial Data

Packing unit	10 pc
GTIN	
GTIN	4017918881092

## Technical data

### Dimensions

Height	52 mm
Width	52 mm
Length	84 mm

### Ambient conditions

Degree of protection of housing (IP)	IP65
Ambient temperature (operation)	-40 °C ... 125 °C

### General

Note	For contact inserts HC-B6, BB10, DD24, M
Size	B6
Housing type	Box mounting bases
Locking type	with single locking latch
No. of cable outlets	1
Cable outlet	left (view of the opened single locking latch)
Screw connection	none
Type of the screw connection	1x M20
Housing material	Aluminum die-cast
Housing surface material	Powder-coated, gray

# Housing - HC-B 6-SML-52/O1M20 - 1604721

## Technical data

### General

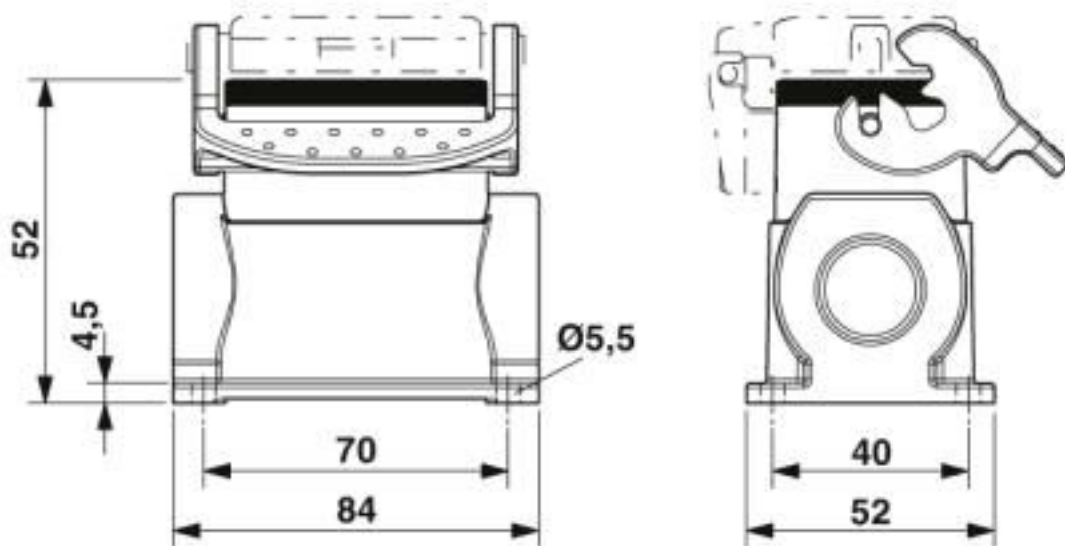
Seal material	NBR
Material lock	Stainless steel, handle: PA
Material grip body interlock	PA

### Environmental Product Compliance

China RoHS	Environmentally friendly use period: unlimited = EFUP-e
	No hazardous substances above threshold values

## Drawings

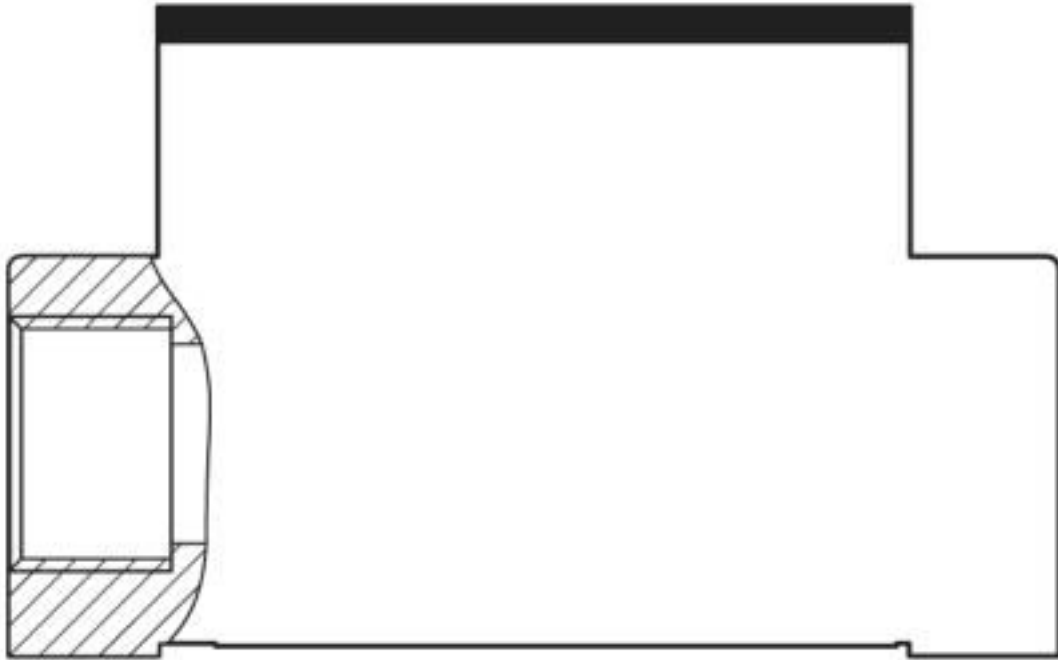
Dimensional drawing



Dimensional drawing

# Housing - HC-B 6-SML-52/O1M20 - 1604721

Schematic diagram



## Classifications

### eCl@ss

eCl@ss 10.0.1	27440202
eCl@ss 4.0	27140800
eCl@ss 4.1	27140800
eCl@ss 5.0	27143400
eCl@ss 5.1	27261200
eCl@ss 6.0	27261200
eCl@ss 7.0	27440202
eCl@ss 8.0	27440202
eCl@ss 9.0	27440202

### ETIM

ETIM 2.0	EC000437
ETIM 3.0	EC000437
ETIM 4.0	EC000437
ETIM 5.0	EC000437
ETIM 6.0	EC000437
ETIM 7.0	EC000437

### UNSPSC

UNSPSC 6.01	31261502
UNSPSC 7.0901	31261502

# Housing - HC-B 6-SML-52/O1M20 - 1604721

## Classifications

### UNSPSC

UNSPSC 11	31261502
UNSPSC 12.01	31261502
UNSPSC 13.2	31261501
UNSPSC 18.0	31261501
UNSPSC 19.0	31261501
UNSPSC 20.0	31261501
UNSPSC 21.0	31261501

## Approvals

### Approvals

---

Approvals

EAC

---

Ex Approvals

---

### Approval details

EAC		RU C- DE.AI30.B.01102
-----	--	--------------------------

## Accessories

### Accessories

#### Extension adapter

Extension adapter - ENLAR-M-KV-M20/M25 - 1647666



Step-up adapter, M20 to M25, including O-ring

### Full screw connection

## Housing - HC-B 6-SML-52/O1M20 - 1604721

### Accessories

Cable gland - G-INS-M20-S68N-PNES-GY - 1411125



Cable gland, cable gland material: PA, external cable diameter 6 mm ... 12 mm, shielding: no, connecting thread: M20 x 1.5, color: silver-gray RAL 7001

---

Cable gland - G-INS-M20-S68N-PNES-BK - 1411133



Cable gland, cable gland material: PA, external cable diameter 6 mm ... 12 mm, shielding: no, connecting thread: M20 x 1.5, color: jet black RAL 9005

---

Cable gland - G-INS-M20-S68N-NNES-S - 1411163



Cable gland, cable gland material: Nickel-plated brass, external cable diameter 6 mm ... 12 mm, shielding: no, connecting thread: M20 x 1.5, color: silver, with O-ring

---

Cable gland - HC-M-KV-M20(11-16) - 1645998



Metal screw connection up to 5 bar, thread length: 6 mm, cable diameter: 11 - 16 mm, WAF 27, screw connection: M20

---

Cable gland - G-INSEC-M20-S68N-NCRS-S - 1411189



Cable gland, cable gland material: Nickel-plated brass, external cable diameter 9 mm ... 13 mm, shielding: yes, connecting thread: M20 x 1.5, color: silver, with O-ring

---

## Housing - HC-B 6-SML-52/O1M20 - 1604721

### Accessories

Cable gland - G-INESR-M20-S68N-NEPDS-S - 1415192



Cable gland, cable gland material: Nickel-plated brass, external cable diameter 6 mm ... 13 mm, shielding: no, connecting thread: M20 x 1.5, color: silver, with external strain relief, with O-ring

---

Cable gland - HC-M-KV-T-M20 - 1646188



Metal screw connection with cable bend protection and strain relief, thread length: 6 mm, cable sealing area: 7.5 - 15 mm, clamping area: 10 - 16 mm, SW 24, screw connection: M20

---

Plug for cable screw gland

Screw plug - HC-M-BS-M20 - 1645846



Screw plug, cable gland material: Nickel-plated brass, connecting thread: M20 x 1.5, color: silver

---

Reducing adapter

Reducing adapter - REDUC-M-KV-M20/M16 - 1647611



Reducing adapter, material: Brass, nickel-plated, connecting thread: M20 x 1.5, color: silver, with O-ring

## X-ON Electronics

Largest Supplier of Electrical and Electronic Components

*Click to view similar products for [Heavy Duty Power Connectors](#) category:*

*Click to view products by [Phoenix Contact](#) manufacturer:*

Other Similar products are found below :

[647757-1](#) [6643411-1](#) [6646058-2](#) [6646137-1](#) [6646138-1](#) [6646479-1](#) [6646608-1](#) [6646786-1](#) [6646940-1](#) [6651091-1](#) [6651525-1](#) [6651529-1](#)  
[6651788-1](#) [696475-1](#) [702-32-01109](#) [703-25-02205](#) [73000005059](#) [73000005642](#) [73080255059](#) [73080965046](#) [765-15-0080A](#) [765-16-0080B](#)  
[765-18-0080D](#) [829992-1](#) [902-77-02113](#) [PS00/A0620/6300](#) [PS25/A0420/63](#) [129-1J](#) [1409400](#) [AN0024023](#) [E6374G1](#) [e6389g2](#) [157-43GW8](#)  
[MS3117-14AC](#) [1643543-1](#) [1650540-1](#) [1651811-2](#) [1766260-1](#) [1766282-1](#) [1766966-1](#) [1791340000](#) [NLDFT-3-BL-L-S120-M40A](#) [NLDFT-N-](#)  
[W-L-C240-M40B](#) [NLS-2-R-C240-M40B](#) [NLS-N-W-C240-M40B](#) [NPS-3-BL-T6](#) [1986615-1](#) [2-1589900-8](#) [2199314-1](#) [KA8102](#)