

Crimp contact - SF-6AS2000 - 1605557

Please be informed that the data shown in this PDF Document is generated from our Online Catalog. Please find the complete data in the user's documentation. Our General Terms of Use for Downloads are valid (<http://phoenixcontact.com/download>)



Crimp contact, turned, Single contact, contact diameter: 1 mm, crimp range: 0.25 mm² ... 1 mm²

The figure may differ depending on the connection area

Your advantages

- Crimping connection: vibration- and temperature-resistant assembly
- High tensile strength of the connection
- Low contact resistance
- Easy production monitoring



Key Commercial Data

Packing unit	100 pc
Minimum order quantity	100 pc
GTIN	
GTIN	4046356182188

Technical data

General

Contact type	turned
Contact diameter	1 mm
Type of contact	Socket
Connection method	Crimp connection
Insertion/withdrawal cycles mechanical	100
Litz wire cross section min.	0.25 mm ²
Litz wire cross section max.	1 mm ²
Contact material	CuZn
Contact surface	Nickel-plated (Ni), with gold coating (Au)

Environmental Product Compliance

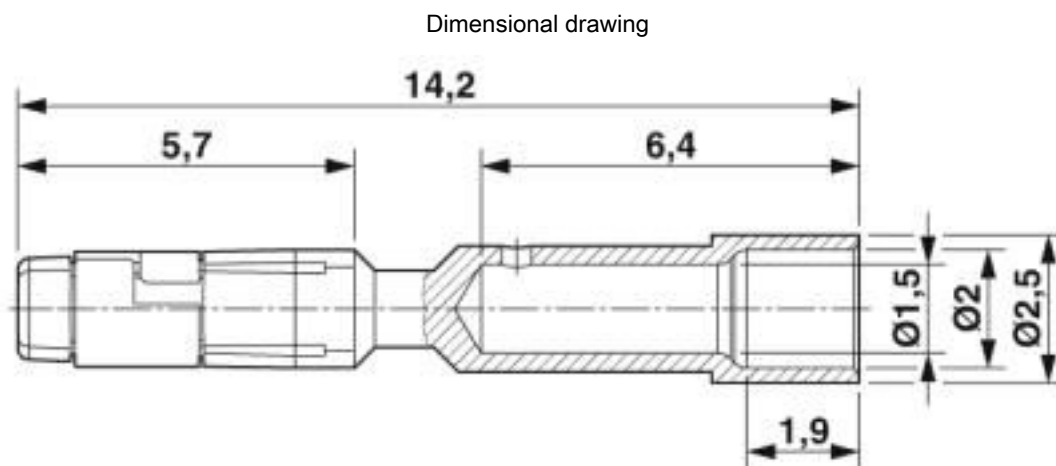
Crimp contact - SF-6AS2000 - 1605557

Technical data

Environmental Product Compliance

REACH SVHC	Lead 7439-92-1
China RoHS	Environmentally Friendly Use Period = 50 years
	For details about hazardous substances go to tab "Downloads", Category "Manufacturer's declaration"

Drawings



Classifications

eCl@ss

eCl@ss 10.0.1	27440204
eCl@ss 4.0	27260700
eCl@ss 4.1	27260700
eCl@ss 5.0	27260700
eCl@ss 5.1	27261200
eCl@ss 6.0	27261200
eCl@ss 7.0	27440204
eCl@ss 8.0	27440204
eCl@ss 9.0	27440204

ETIM

ETIM 3.0	EC001121
ETIM 4.0	EC000796
ETIM 5.0	EC000796
ETIM 6.0	EC000796
ETIM 7.0	EC000796

UNSPSC

UNSPSC 6.01	43172015
-------------	----------

Crimp contact - SF-6AS2000 - 1605557

Classifications

UNSPSC

UNSPSC 7.0901	43201404
UNSPSC 11	43172015
UNSPSC 12.01	43201404
UNSPSC 13.2	39121522
UNSPSC 18.0	39121522
UNSPSC 19.0	39121522
UNSPSC 20.0	39121522
UNSPSC 21.0	39121522

Approvals

Approvals

Approvals

EAC

Ex Approvals

Approval details

EAC		B.01742
-----	--	---------

Accessories

Accessories

Crimping tool

Crimp locator - SF-Z0053 - 1615584



Locator for RC-Z2514 and RC-Z2504 crimping pliers, for crimping turned SF and ST contacts, diameter of 0.6 mm ... 1.0 mm and 2.0 mm.

Crimp contact - SF-6AS2000 - 1605557

Accessories

Crimping pliers with digital display - SF-Z0025 - 1607452



Crimping pliers for turned crimp contacts \varnothing 1.0 mm / \varnothing 1.6 mm / \varnothing 2 mm / \varnothing 3.6 mm, litz wire cross section of 0.08 mm² ... 6 mm²

Crimping pliers with digital display - SF-Z0054 - 1615585



Crimping pliers for turned crimp contacts \varnothing 0.6 mm / \varnothing 0.8 mm / \varnothing 1 mm / \varnothing 2 mm, litz wire cross section of 0.06 mm² ... 2.5 mm²

Crimping tool, pneumatic - SF-Z0043 - 1614571



Crimping tool, pneumatic

Phoenix Contact 2020 © - all rights reserved
<http://www.phoenixcontact.com>

PHOENIX CONTACT GmbH & Co. KG
Flachsmarktstr. 8
32825 Blomberg
Germany
Tel. +49 5235 300
Fax +49 5235 3 41200
<http://www.phoenixcontact.com>

X-ON Electronics

Largest Supplier of Electrical and Electronic Components

Click to view similar products for [Circular Metric Connectors](#) category:

Click to view products by [Phoenix Contact](#) manufacturer:

Other Similar products are found below :

[600X518037X](#) [6STD15PCR99B70A](#) [8R4000A16M020](#) [8R5000A16M005](#) [1200910002](#) [1203580030](#) [1200910008](#) [1200910011](#) [1300140094](#)
[130203-0054](#) [1300140026](#) [1300150099](#) [RF-12S1N8A90DU](#) [1-3637-600-5205](#) [1612618](#) [21036836414](#) [8R4006A16M010](#) [1604232](#)
[1R3006A20M005](#) [RF-12P1N8A90DU](#) [41-40011](#) [42-00006](#) [42-01015](#) [4-22279-4](#) [4-22281-1](#) [4-22284-9](#) [43-00113](#) [43-01088](#) [43-01203](#) [41-](#)
[40013](#) [42-00008](#) [43-00343](#) [43-01026](#) [43-01162](#) [43-01173](#) [43-10000](#) [XS3P-M421-2](#) [600X518050X](#) [SACC-DSI-FS-5P-PG9-L180 SC](#)
[8R5006A16M020](#) [8R5006A16M005](#) [8R4000A16M010](#) [6-22279-3](#) [1605332](#) [N03FA03144](#) [1300140077](#) [43-16213](#) [43-01338](#) [XS2RD4265](#)
[XS2R-D426-1](#)