

## Crimp contact - ST-20KP010 - 1607655

Please be informed that the data shown in this PDF Document is generated from our Online Catalog. Please find the complete data in the user's documentation. Our General Terms of Use for Downloads are valid (<http://phoenixcontact.com/download>)



Crimp contact, turned, contact diameter: 2 mm, crimp range: 0.25 mm<sup>2</sup> ... 1 mm<sup>2</sup>


The figure may differ depending on the connection area

### Your advantages

- ✓ Crimping connection: vibration- and temperature-resistant assembly
- ✓ High tensile strength of the connection
- ✓ Low contact resistance
- ✓ Easy production monitoring



### Key Commercial Data

|              |                                                                                                         |
|--------------|---------------------------------------------------------------------------------------------------------|
| Packing unit | 50 pc                                                                                                   |
| GTIN         | <br>4 046356 273633 |
| GTIN         | 4046356273633                                                                                           |

### Technical data

#### General

|                                        |                                            |
|----------------------------------------|--------------------------------------------|
| Contact type                           | turned                                     |
| Contact diameter                       | 2 mm                                       |
| Type of contact                        | Pin                                        |
| Connection method                      | Crimp connection                           |
| Insertion/withdrawal cycles mechanical | 100                                        |
| Litz wire cross section min.           | 0.25 mm <sup>2</sup>                       |
| Litz wire cross section max.           | 1 mm <sup>2</sup>                          |
| Contact material                       | CuZn                                       |
| Contact surface                        | Nickel-plated (Ni), with gold coating (Au) |

#### Environmental Product Compliance

|            |                |
|------------|----------------|
| REACH SVHC | Lead 7439-92-1 |
|------------|----------------|

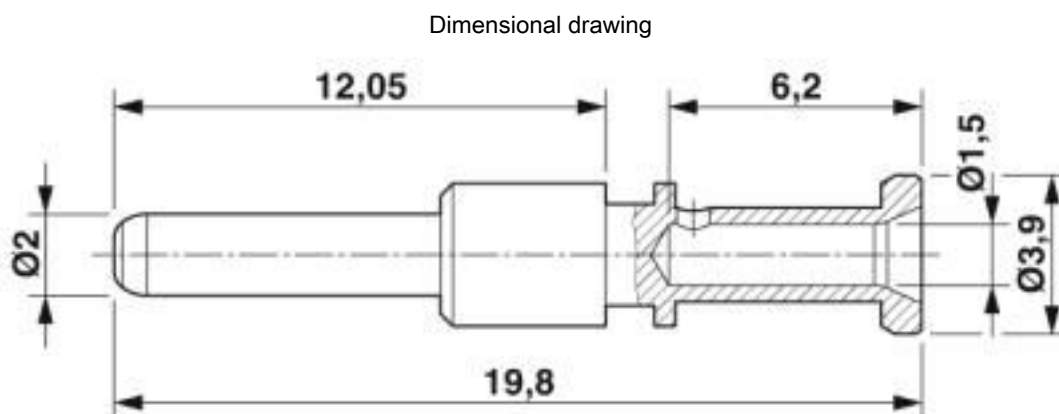
# Crimp contact - ST-20KP010 - 1607655

## Technical data

### Environmental Product Compliance

|            |                                                                                                     |
|------------|-----------------------------------------------------------------------------------------------------|
| China RoHS | Environmentally Friendly Use Period = 50 years                                                      |
|            | For details about hazardous substances go to tab "Downloads", Category "Manufacturer's declaration" |

## Drawings



## Classifications

### eCl@ss

|               |          |
|---------------|----------|
| eCl@ss 10.0.1 | 27440204 |
| eCl@ss 4.0    | 27260700 |
| eCl@ss 4.1    | 27260700 |
| eCl@ss 5.0    | 27260700 |
| eCl@ss 5.1    | 27261200 |
| eCl@ss 6.0    | 27261200 |
| eCl@ss 7.0    | 27440204 |
| eCl@ss 8.0    | 27440204 |
| eCl@ss 9.0    | 27440204 |

### ETIM

|          |          |
|----------|----------|
| ETIM 3.0 | EC001121 |
| ETIM 4.0 | EC000796 |
| ETIM 5.0 | EC000796 |
| ETIM 6.0 | EC000796 |
| ETIM 7.0 | EC000796 |

### UNSPSC

|               |          |
|---------------|----------|
| UNSPSC 6.01   | 43172015 |
| UNSPSC 7.0901 | 43201404 |
| UNSPSC 11     | 43172015 |

# Crimp contact - ST-20KP010 - 1607655

## Classifications

### UNSPSC

|              |          |
|--------------|----------|
| UNSPSC 12.01 | 43201404 |
| UNSPSC 13.2  | 39121522 |
| UNSPSC 18.0  | 39121522 |
| UNSPSC 19.0  | 39121522 |
| UNSPSC 20.0  | 39121522 |
| UNSPSC 21.0  | 39121522 |

## Approvals

### Approvals

---

Approvals

EAC

---

Ex Approvals

---

### Approval details

|     |  |         |
|-----|--|---------|
| EAC |  | B.01742 |
|-----|--|---------|

## Accessories

### Accessories

#### Crimping tool

Crimp locator - SF-Z0053 - 1615584



Locator for RC-Z2514 and RC-Z2504 crimping pliers, for crimping turned SF and ST contacts, diameter of 0.6 mm ... 1.0 mm and 2.0 mm.

Crimping pliers with digital display - SF-Z0054 - 1615585



Crimping pliers for turned crimp contacts  $\varnothing$  0.6 mm /  $\varnothing$  0.8 mm /  $\varnothing$  1 mm /  $\varnothing$  2 mm, litz wire cross section of 0.06 mm<sup>2</sup> ... 2.5 mm<sup>2</sup>

## Crimp contact - ST-20KP010 - 1607655

### Accessories

Crimping pliers with digital display - SF-Z0025 - 1607452



Crimping pliers for turned crimp contacts  $\varnothing$  1.0 mm /  $\varnothing$  1.6 mm /  $\varnothing$  2 mm /  $\varnothing$  3.6 mm, litz wire cross section of 0.08 mm<sup>2</sup> ... 6 mm<sup>2</sup>

---

Phoenix Contact 2020 © - all rights reserved  
<http://www.phoenixcontact.com>

PHOENIX CONTACT GmbH & Co. KG  
Flachsmarktstr. 8  
32825 Blomberg  
Germany  
Tel. +49 5235 300  
Fax +49 5235 3 41200  
<http://www.phoenixcontact.com>

## X-ON Electronics

Largest Supplier of Electrical and Electronic Components

*Click to view similar products for [Circular Metric Connectors](#) category:*

*Click to view products by [Phoenix Contact](#) manufacturer:*

Other Similar products are found below :

[600X518037X](#) [6STD15PCR99B70A](#) [8R4000A16M020](#) [8R5000A16M005](#) [1200910002](#) [1203580030](#) [1200910008](#) [1200910011](#) [1300140094](#)  
[130203-0054](#) [1300140026](#) [1300150099](#) [RF-12S1N8A90DU](#) [1-3637-600-5205](#) [1612618](#) [21036836414](#) [8R4006A16M010](#) [1604232](#)  
[1R3006A20M005](#) [RF-12P1N8A90DU](#) [41-40011](#) [42-00006](#) [42-01015](#) [4-22279-4](#) [4-22281-1](#) [4-22284-9](#) [43-00113](#) [43-01088](#) [43-01203](#) [41-](#)  
[40013](#) [42-00008](#) [43-00343](#) [43-01026](#) [43-01162](#) [43-01173](#) [43-10000](#) [XS3P-M421-2](#) [600X518050X](#) [SACC-DSI-FS-5P-PG9-L180 SC](#)  
[8R5006A16M020](#) [8R5006A16M005](#) [8R4000A16M010](#) [6-22279-3](#) [1605332](#) [N03FA03144](#) [1300140077](#) [43-16213](#) [43-01338](#) [XS2RD4265](#)  
[XS2R-D426-1](#)