

# FO connectors - VS-PPC-C1-SCRJ-MNNA-PG9-A3C-C - 1608045

Please be informed that the data shown in this PDF Document is generated from our Online Catalog. Please find the complete data in the user's documentation. Our General Terms of Use for Downloads are valid (<http://phoenixcontact.com/download>)



Fiber optic connector SC-RJ, IP67, with push-pull interlocking, metal housing, duplex, with fast connection technology, for PCF fiber 200/230 µm, for individual wire diameter 2.2 mm, for cable cross section 6.5 mm ... 9.5 mm



## Key Commercial Data

Packing unit	1 pc
GTIN	
GTIN	4046356131711

## Technical data

### Mechanical characteristics

Connection method	Push-Pull
Minimum external conductor diameter	6.5 mm
Maximum external conductor diameter	9.5 mm
Degree of pollution	2
Cable outlet	straight
Locking type	Push Pull
Weight	70.84 g
Flammability rating according to UL 94	V0

### Ambient conditions

Ambient temperature (operation)	-40 °C ... 70 °C
Ambient temperature (assembly)	0 °C ... 50 °C
Ambient temperature (storage/transport)	-25 °C ... 70 °C

### Material data

Housing material	Zinc die-cast
Housing surface material	Nickel-plated
Width	22 mm
Height	30 mm

# FO connectors - VS-PPC-C1-SCRJ-MNNA-PG9-A3C-C - 1608045

## Technical data

### Material data

Length	62.5 mm
--------	---------

### Electrical characteristics

Number of positions	2
Degree of pollution	2
Attenuation	≤ 1 dB (Insertion attenuation)

### Standards and Regulations

Standards/specifications	IEC PAS 61076-3-117
Flame resistance	yes
Resistance to oil	yes
Flammability rating according to UL 94	V0

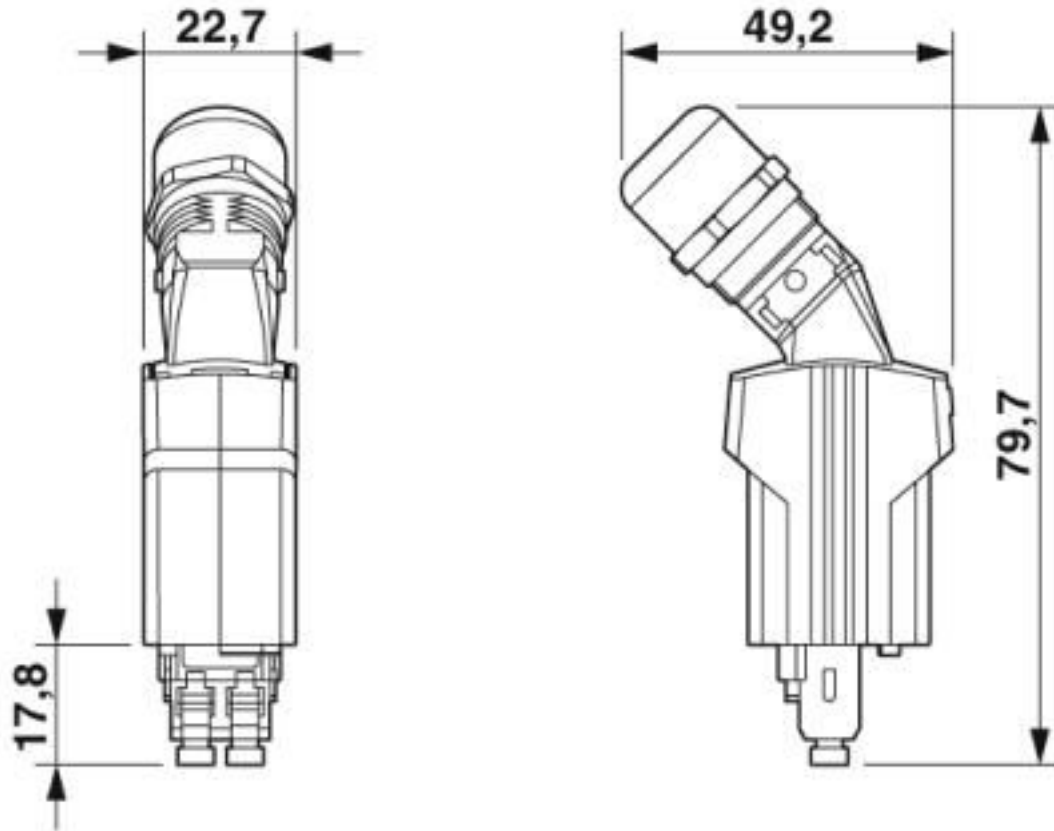
### Environmental Product Compliance

REACH SVHC	Lead 7439-92-1
China RoHS	Environmentally Friendly Use Period = 50 years
	For details about hazardous substances go to tab "Downloads", Category "Manufacturer's declaration"

## Drawings

# FO connectors - VS-PPC-C1-SCRJ-MNNA-PG9-A3C-C - 1608045

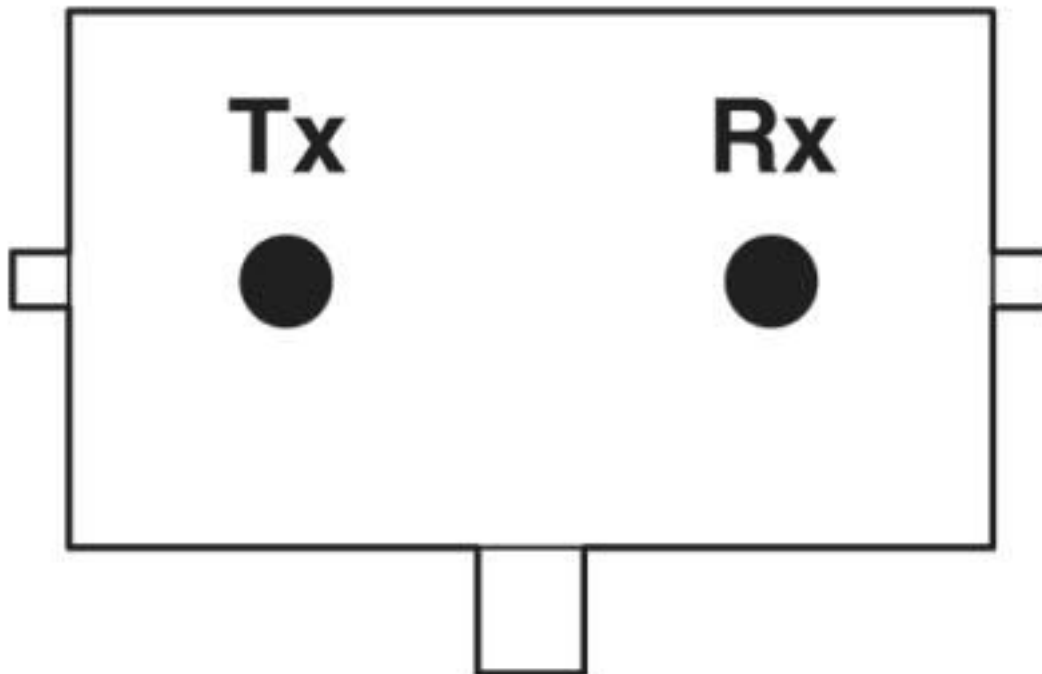
Dimensional drawing



Push-Pull SC-RJ connector IP65/67

# FO connectors - VS-PPC-C1-SCRJ-MNNA-PG9-A3C-C - 1608045

Schematic diagram



## Classifications

### eCl@ss

eCl@ss 10.0.1	19170122
eCl@ss 4.0	27260700
eCl@ss 4.1	27260700
eCl@ss 5.0	27260700
eCl@ss 5.1	27260700
eCl@ss 6.0	27260700
eCl@ss 7.0	27440312
eCl@ss 8.0	19170122
eCl@ss 9.0	19170122

### ETIM

ETIM 3.0	EC001122
ETIM 4.0	EC001122
ETIM 5.0	EC001122
ETIM 6.0	EC001122
ETIM 7.0	EC001122

### UNSPSC

UNSPSC 6.01	31261501
UNSPSC 7.0901	31261501

# FO connectors - VS-PPC-C1-SCRJ-MNNA-PG9-A3C-C - 1608045

## Classifications

### UNSPSC

UNSPSC 11	31261501
UNSPSC 12.01	31261501
UNSPSC 13.2	43223310
UNSPSC 18.0	43223310
UNSPSC 19.0	43223310
UNSPSC 20.0	43223310
UNSPSC 21.0	43223310

## Approvals

### Approvals

Approvals

UL Listed / EAC

Ex Approvals

### Approval details

UL Listed		<a href="http://database.ul.com/cgi-bin/XYV/template/LISEXT/1FRAME/index.htm">http://database.ul.com/cgi-bin/XYV/template/LISEXT/1FRAME/index.htm</a> E308814-20070105
-----------	--	--

EAC		B.01687
-----	--	---------

## Accessories

### Accessories

Data cable by the meter

FO cable - FL FOC PN-B-HCS-200/230 - 2313766



PROFINET PCF fiber cable, duplex 200 µm / 230 µm, for installation in stationary systems and machines, type B, PVC outer sheath, sold by the meter without plug

Data plug

## FO connectors - VS-PPC-C1-SCRJ-MNNA-PG9-A3C-C - 1608045

### Accessories

Assembly tool - PSM-HCS-KONFTOOL/SC-RJ - 2708876



HCS assembly kit for SC-RJ quick mounting connectors, including stripping blade, stripping pliers, aramide yarn scissors, fiber stripper, microscope, fiber cleaving tool for standard HCS and HCS GI fibers, two SC-RJ connectors for standard HCS fiber, and documentation

---

Phoenix Contact 2020 © - all rights reserved  
<http://www.phoenixcontact.com>

PHOENIX CONTACT GmbH & Co. KG  
Flachsmarktstr. 8  
32825 Blomberg  
Germany  
Tel. +49 5235 300  
Fax +49 5235 3 41200  
<http://www.phoenixcontact.com>

## X-ON Electronics

Largest Supplier of Electrical and Electronic Components

*Click to view similar products for [Fibre Optic Connectors](#) category:*

*Click to view products by [Phoenix Contact](#) manufacturer:*

Other Similar products are found below :

[0004700001](#) [6100-R](#) [6313](#) [F709034706](#) [F709722200](#) [F709730000](#) [F718183204](#) [F727403500](#) [F727752800](#) [8119](#) [9440F20-27S-190](#) [944-120-6001](#) [9441F10SL-3S](#) [9444W28-21S](#) [9444W36-10S](#) [9446F10SL-4S](#) [9446W20-16S](#) [953-101-5310-P](#) [954-101-57202B](#) [A0270169](#) [12-9122](#) [12-5702](#) [AX101713](#) [AX102420](#) [AX103923](#) [AX104024](#) [AX104193](#) [AX104230](#) [AX104562](#) [AX105203-B25](#) [AX105205-S1](#) [EHSC2M](#) [17-300800](#) [181-011-126](#) [181-011-S](#) [181-057-126](#) [HRFC-R2\(40\)](#) [NKSOPBUY](#) [20500002116](#) [2064996-1](#) [20800001065](#) [2170](#) [9132](#) [2612](#) [2620](#) [9291](#) [9440F16-10S](#) [9440F20-18S](#) [9446F16-10S-190](#) [953-106-50231](#)