

Panel mounting frames - VS-PPC-F2-MSTB-MNNA-1R-P - 1608087

Please be informed that the data shown in this PDF Document is generated from our Online Catalog. Please find the complete data in the user's documentation. Our General Terms of Use for Downloads are valid (<http://phoenixcontact.com/download>)



MSTB panel mounting frame, IP67, for push-pull interlocking, metal, for PCB connection, for square panel cutout, with grommet, without mounting screws



Key Commercial Data

Packing unit	1 pc
GTIN	
GTIN	4046356131759

Technical data

Dimensions

Width	36.2 mm
Height	42 mm
Length	17.5 mm

Ambient conditions

Ambient temperature (operation)	-40 °C ... 80 °C
---------------------------------	------------------

General data

Note	This product corresponds to the PROFINET Cabling and Interconnection Technology Guideline for PROFINET regulations, version 2.00, order no: 2.252, Chapter 11 Connectors for 24 Volt Power Supply Cabling and Chapter 13 Application specific Cabling and Interconnection Technology (AIDA)
Degree of pollution	2
Alternative short product description	Panel mounting frame for push-pull interlocking
Locking type	Push Pull
Connection method	Push-Pull
Housing material	Zinc die-cast
Degree of protection	IP65/IP67

Standards and Regulations

Panel mounting frames - VS-PPC-F2-MSTB-MNNA-1R-P - 1608087

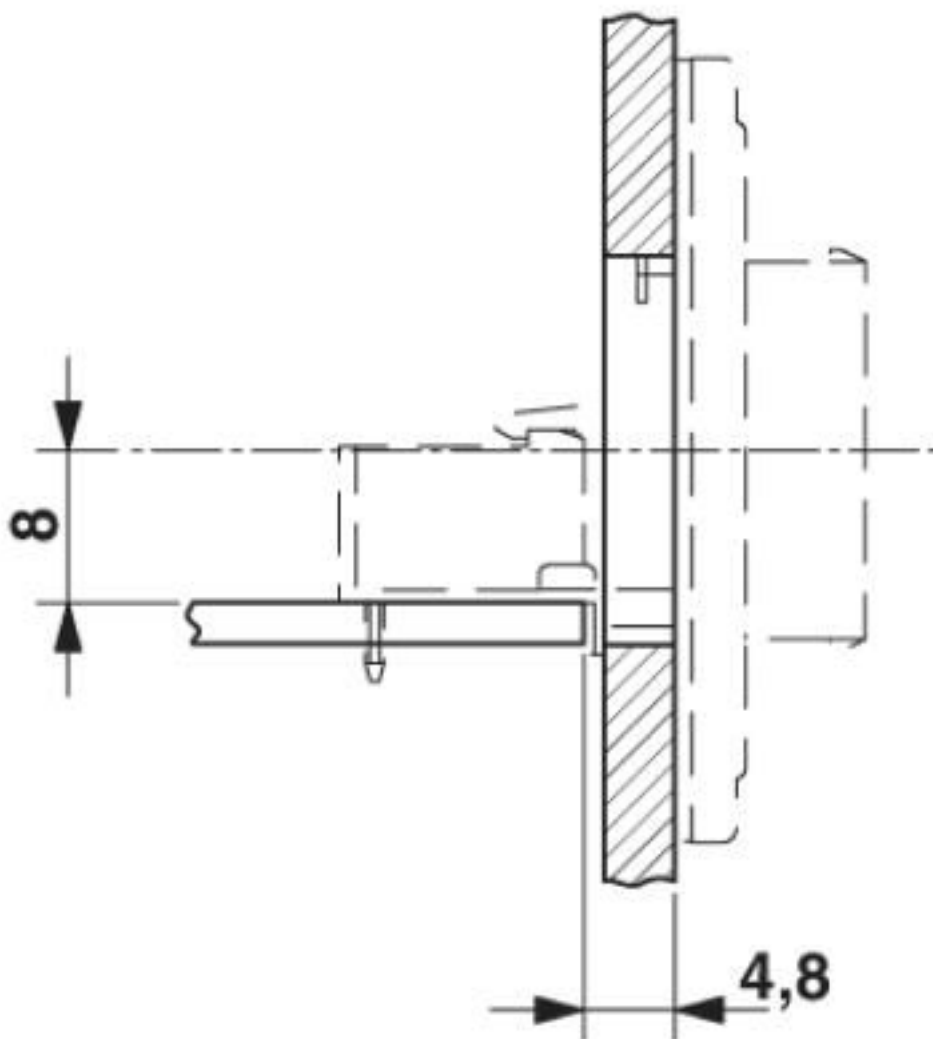
Technical data

Standards and Regulations

Flammability rating according to UL 94	V0
--	----

Drawings

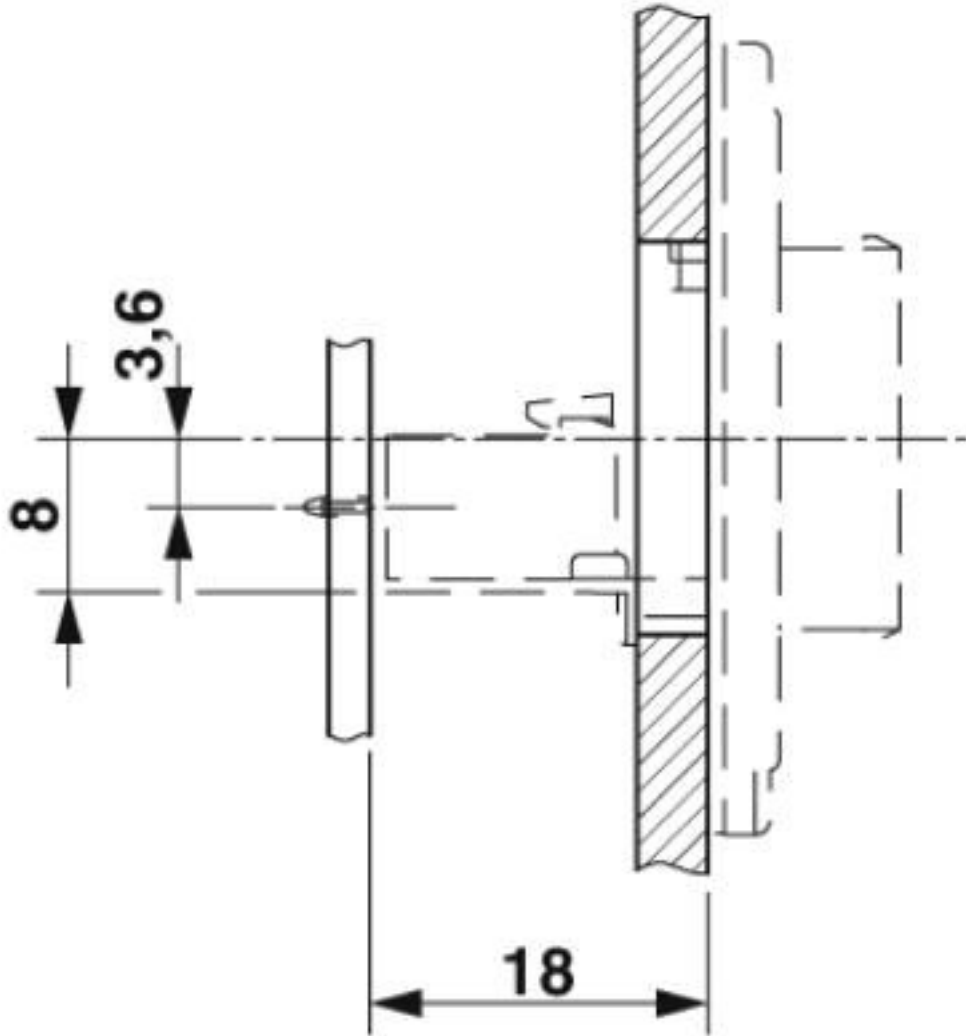
Dimensional drawing



PCB alignment, angled solder pins

Panel mounting frames - VS-PPC-F2-MSTB-MNNA-1R-P - 1608087

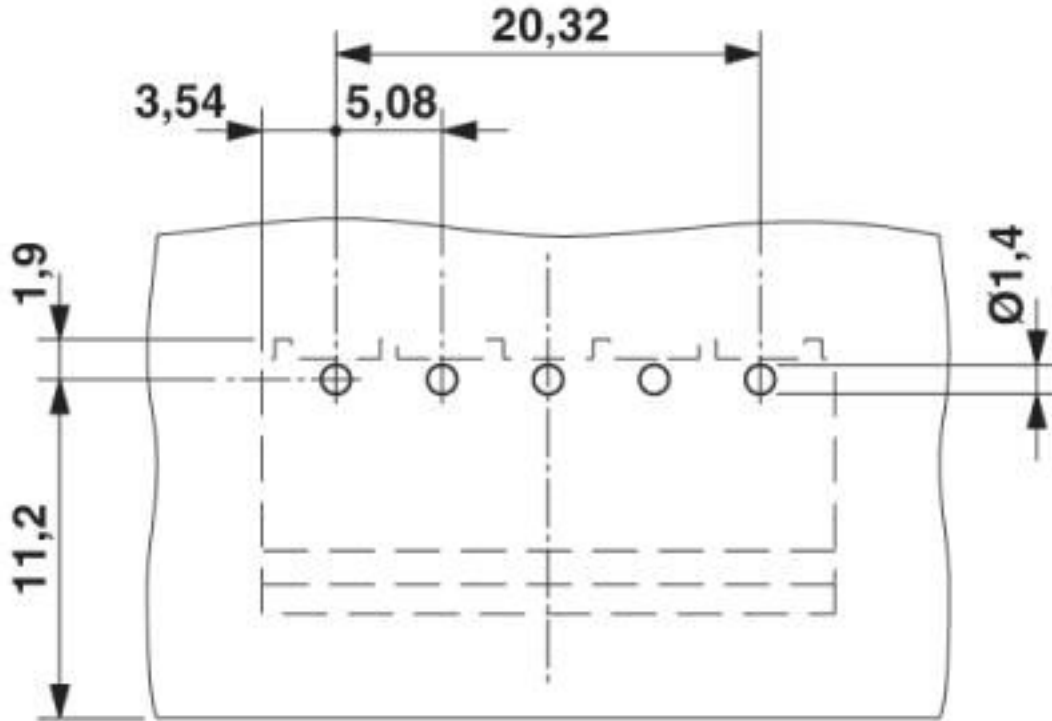
Dimensional drawing



PCB alignment, straight solder pins

Panel mounting frames - VS-PPC-F2-MSTB-MNNA-1R-P - 1608087

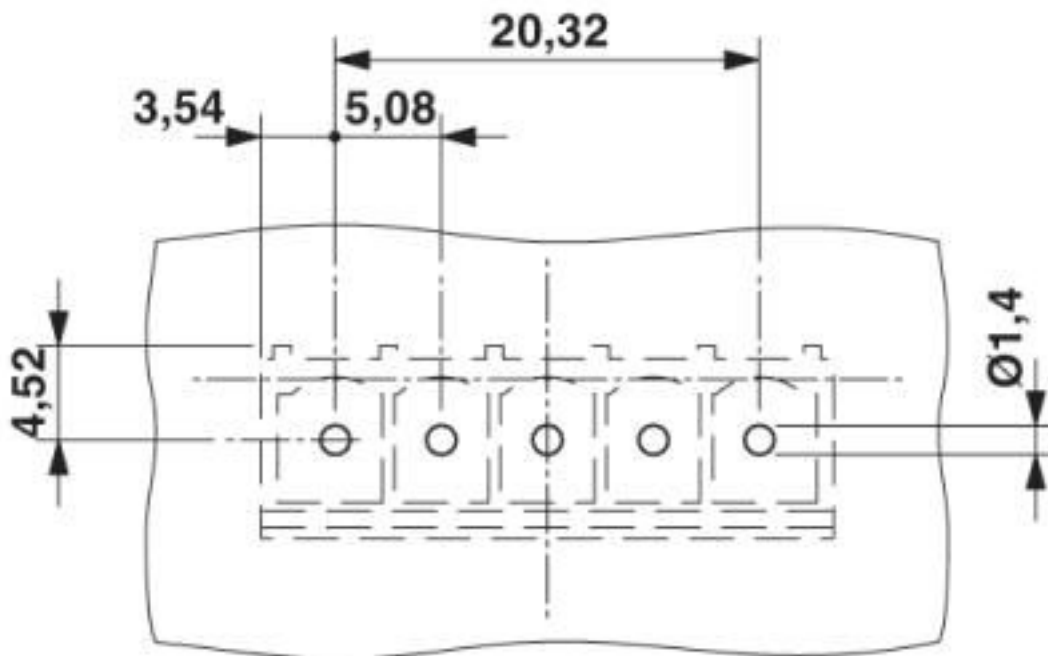
Drilling diagram



Drilling diagram

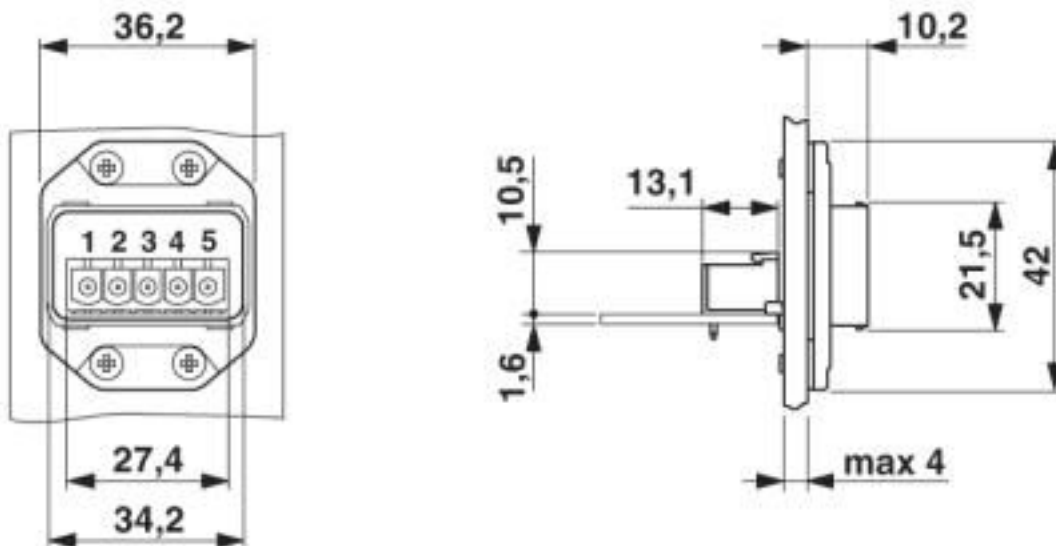
Panel mounting frames - VS-PPC-F2-MSTB-MNNA-1R-P - 1608087

Drilling diagram



Drilling diagram

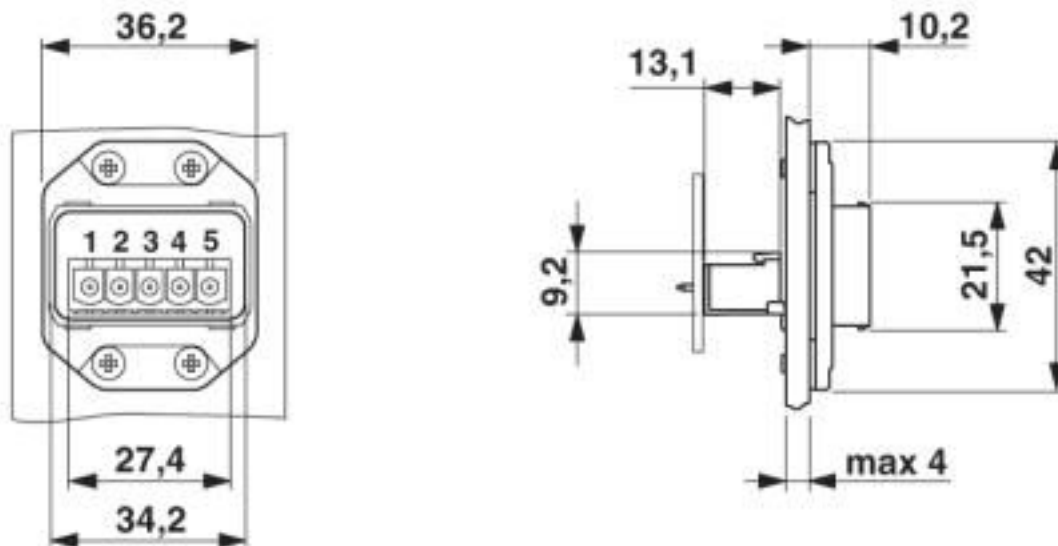
Dimensional drawing



PROFINET POWER panel mounting frame, IP67

Panel mounting frames - VS-PPC-F2-MSTB-MNNA-1R-P - 1608087

Dimensional drawing



PROFINET POWER panel mounting frame, IP67

Classifications

eCl@ss

eCl@ss 10.0.1	27440210
eCl@ss 4.0	27260700
eCl@ss 4.1	27260700
eCl@ss 5.0	27260700
eCl@ss 5.1	27260700
eCl@ss 6.0	27261200
eCl@ss 7.0	27440210
eCl@ss 8.0	27440210
eCl@ss 9.0	27440210

ETIM

ETIM 3.0	EC001121
ETIM 4.0	EC001121
ETIM 5.0	EC002310
ETIM 6.0	EC002310
ETIM 7.0	EC002310

UNSPSC

UNSPSC 6.01	31261501
UNSPSC 7.0901	31261501
UNSPSC 11	31261501
UNSPSC 12.01	31261501

Panel mounting frames - VS-PPC-F2-MSTB-MNNA-1R-P - 1608087

Classifications

UNSPSC

UNSPSC 13.2	39121421
UNSPSC 18.0	39121421
UNSPSC 19.0	39121421
UNSPSC 20.0	39121421
UNSPSC 21.0	39121421

Accessories

Accessories

Contact insert

Female insert - VS-MSTBAH 2,5/ 5-GB-5,08-BK-A - 1657915



MSTB contact insert, for PCB assembly, 24 V, 5-pos., with angled solder pins, RAL 9005 (black), for panel mounting frame VS-PPC-F2-MSTB-...-1R-P

Female insert - VS-MSTBVA 2,5/ 5-GB-5,08-BK-A - 1609565



MSTB contact insert, for PCB assembly, 24 V, 5-pos., with straight solder pins, RAL 9005 (black), for panel mounting frame VS-PPC-F2-MSTB-...-1R-P

Female insert - VS-MSTBVA 2,5/ 5-GB-5,08-RD-B - 1609581



MSTB contact insert, for PCB assembly, 400 V, 5-pos., with straight solder pins, RAL 3000 (red), for panel mounting frame VS-PPC-F2-MSTB-...-1R-P

Data plug

Female insert - VS-MSTBAH 2,5/ 5-GB-5,08-RD-B - 1609549



MSTB contact insert, for PCB assembly, 400 V, 5-pos., with angled solder pins, RAL 3000 (red), for panel mounting frame VS-PPC-F2-MSTB-...-1R-P

Panel mounting frames - VS-PPC-F2-MSTB-MNNA-1R-P - 1608087

Accessories

Protective covers - CUC-PPC-A2RBK-PC - 1424989



Protective covers, degree of protection: IP65/IP67

Power connectors - CUC-PPC-C2ZNI-SX/24FKP5:FC - 1425514



Power connectors, degree of protection: IP65/IP67, number of positions: 5, material: Zinc die-cast, connection cross section: AWG 18- 13, cable outlet: straight

Power connectors - CUC-PPC-C2ZNI-SX/24FKP5 - 1421783



Power connectors, degree of protection: IP65/IP67, number of positions: 5, material: Zinc die-cast, connection cross section: AWG 18- 13, cable outlet: straight

Power connectors - CUC-PPC-C2ZNI-SS/24FKP5:FC - 1425515



Power connectors, degree of protection: IP65/IP67, number of positions: 5, material: Zinc die-cast, connection cross section: AWG 18- 13, cable outlet: straight

Power connectors - CUC-PPC-C2ZNI-SS/24FKP5 - 1421785



Power connectors, degree of protection: IP65/IP67, number of positions: 5, material: Zinc die-cast, connection cross section: AWG 18- 13, cable outlet: straight

Protective cover

Panel mounting frames - VS-PPC-F2-MSTB-MNNA-1R-P - 1608087

Accessories

Protective covers - VS-PPC-C2-PC-ROBK-L - 1405303



Sealing plug with locking for push-pull panel mounting frame, power (VS-PPC-F2...), IP65/67 degree of protection

Phoenix Contact 2020 © - all rights reserved
<http://www.phoenixcontact.com>

PHOENIX CONTACT GmbH & Co. KG
Flachsmarktstr. 8
32825 Blomberg
Germany
Tel. +49 5235 300
Fax +49 5235 3 41200
<http://www.phoenixcontact.com>

X-ON Electronics

Largest Supplier of Electrical and Electronic Components

Click to view similar products for [Heavy Duty Power Connectors](#) category:

Click to view products by [Phoenix Contact](#) manufacturer:

Other Similar products are found below :

[647757-1](#) [6643411-1](#) [6646058-2](#) [6646137-1](#) [6646138-1](#) [6646479-1](#) [6646608-1](#) [6646786-1](#) [6646940-1](#) [6651091-1](#) [6651525-1](#) [6651529-1](#)
[6651788-1](#) [696475-1](#) [702-32-01109](#) [703-25-02205](#) [73000005059](#) [73000005642](#) [73080255059](#) [73080965046](#) [765-15-0080A](#) [765-16-0080B](#)
[765-18-0080D](#) [829992-1](#) [902-77-02113](#) [PS00/A0620/6300](#) [PS25/A0420/63](#) [129-1J](#) [1409400](#) [AN0024023](#) [E6374G1](#) [e6389g2](#) [157-43GW8](#)
[MS3117-14AC](#) [1643543-1](#) [1650540-1](#) [1651811-2](#) [1766260-1](#) [1766282-1](#) [1766966-1](#) [1791340000](#) [NLDFT-3-BL-L-S120-M40A](#) [NLDFT-N-](#)
[W-L-C240-M40B](#) [NLS-2-R-C240-M40B](#) [NLS-N-W-C240-M40B](#) [NPS-3-BL-T6](#) [1986615-1](#) [2-1589900-8](#) [2199314-1](#) [KA8102](#)