

Panel mounting frames - VS-PPC-F1-SCRJ-POBK-1RF - 1608210


Please be informed that the data shown in this PDF Document is generated from our Online Catalog. Please find the complete data in the user's documentation. Our General Terms of Use for Downloads are valid (<http://phoenixcontact.com/download>)



SC-RJ panel mounting frame, IP67, for push-pull interlocking, plastic, with Freenet system, for rectangular mounting cutout, with seal and SC-RJ coupling (for POF, PCF, and GOF), without mounting screws



Key Commercial Data

Packing unit	1 pc
GTIN	 4 046356 159890
GTIN	4046356159890

Technical data

Mechanical characteristics

Connection method	Spring-cage connection
Number of slots	1
Degree of pollution	2
Locking type	Push Pull
Weight	16 g
Flammability rating according to UL 94	V0

Ambient conditions

Ambient temperature (operation)	-20 °C ... 70 °C
Degree of protection	IP67 (IP65/67)

Material data

Housing material	PA-GF
Width	22.2 mm
Height	42 mm

Electrical characteristics

Number of positions	2
Degree of pollution	2

Panel mounting frames - VS-PPC-F1-SCRJ-POBK-1RF - 1608210

Technical data

Standards and Regulations

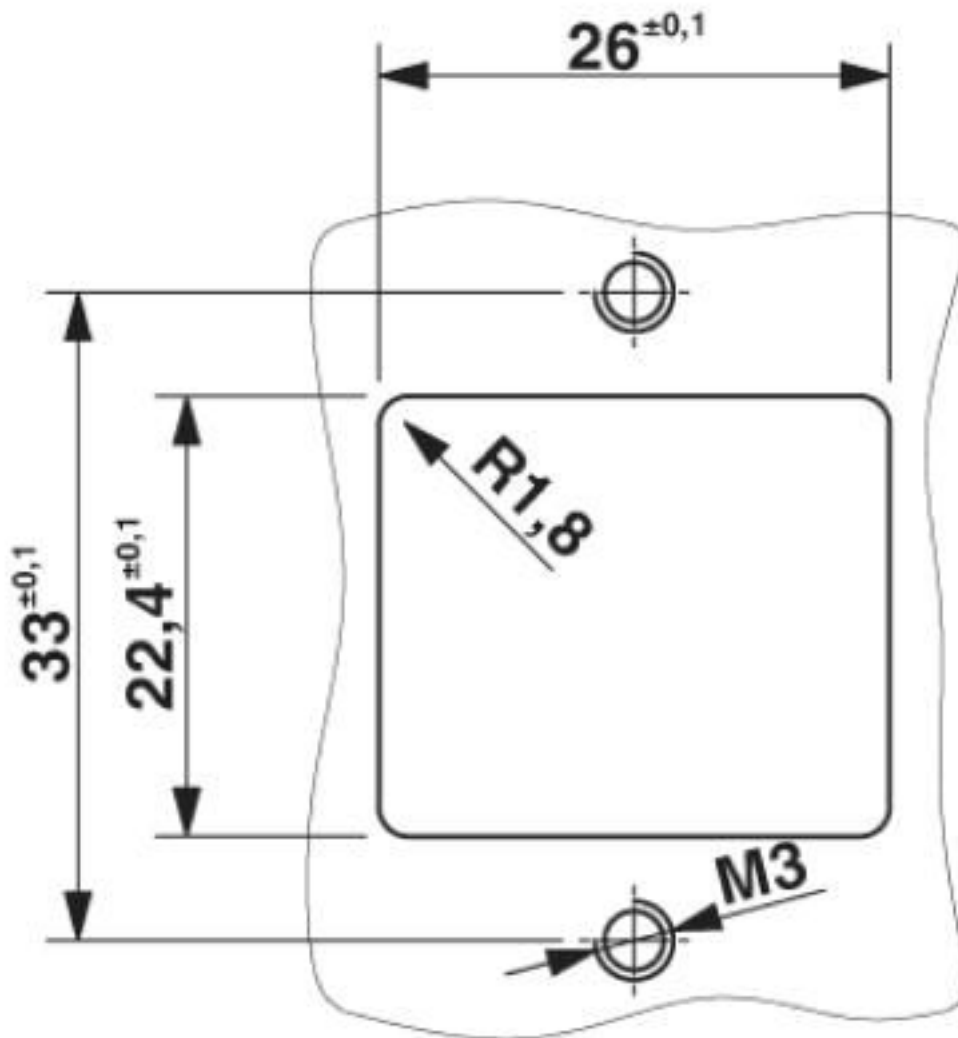
Flammability rating according to UL 94	V0
--	----

Environmental Product Compliance

China RoHS	Environmentally friendly use period: unlimited = EFUP-e
	No hazardous substances above threshold values

Drawings

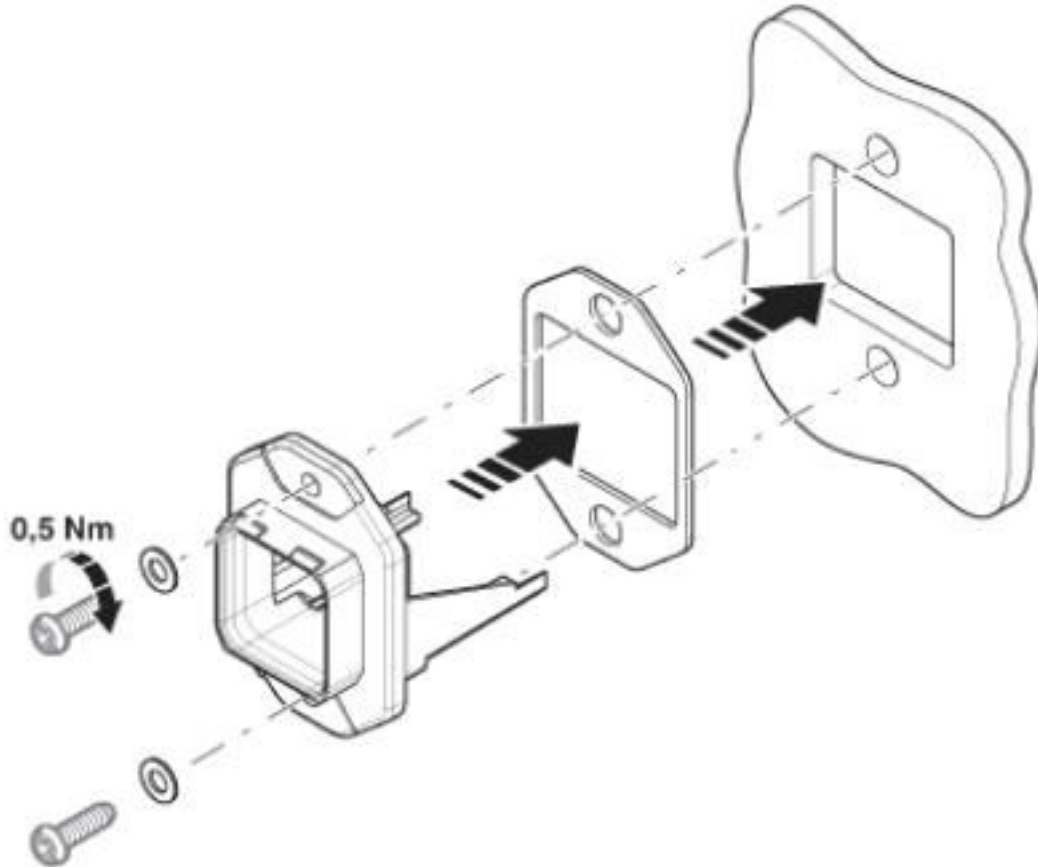
Dimensional drawing



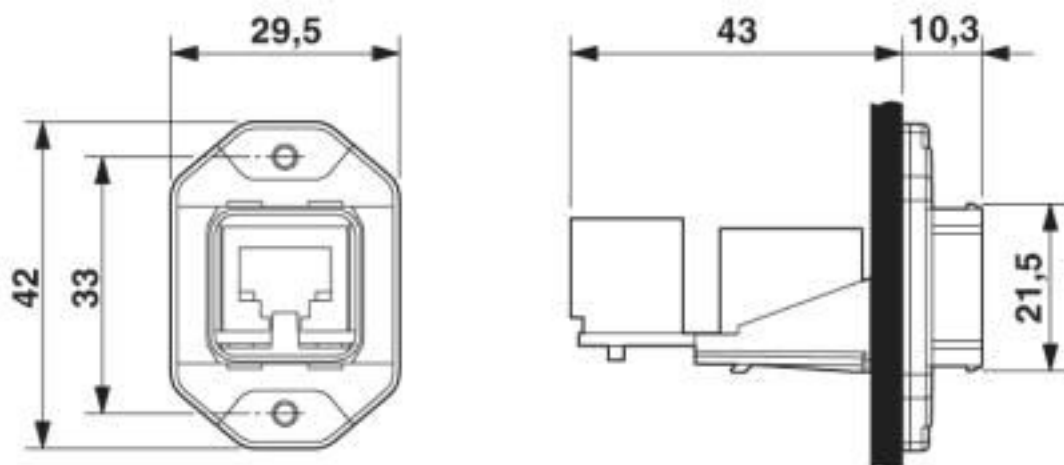
Mounting cutout

Panel mounting frames - VS-PPC-F1-SCRJ-POBK-1RF - 1608210

Exploded view



Dimensional drawing



Push-Pull SC-RJ panel mounting frame

Panel mounting frames - VS-PPC-F1-SCRJ-POBK-1RF - 1608210

Classifications

eCl@ss

eCl@ss 10.0.1	27440210
eCl@ss 4.0	24190200
eCl@ss 4.1	24190200
eCl@ss 5.0	27141100
eCl@ss 5.1	27141100
eCl@ss 6.0	27261200
eCl@ss 7.0	27440210
eCl@ss 8.0	27440210
eCl@ss 9.0	27440210

ETIM

ETIM 3.0	EC001121
ETIM 4.0	EC001121
ETIM 5.0	EC002310
ETIM 6.0	EC002310
ETIM 7.0	EC002310

UNSPSC

UNSPSC 6.01	31261501
UNSPSC 7.0901	31261501
UNSPSC 11	31261501
UNSPSC 12.01	31261501
UNSPSC 13.2	39121421
UNSPSC 18.0	39121421
UNSPSC 19.0	39121421
UNSPSC 20.0	39121421
UNSPSC 21.0	39121421

Approvals

Approvals

Approvals

EAC

Ex Approvals

Approval details

Panel mounting frames - VS-PPC-F1-SCRJ-POBK-1RF - 1608210

Approvals

EAC



B.01742

Phoenix Contact 2020 © - all rights reserved
<http://www.phoenixcontact.com>

PHOENIX CONTACT GmbH & Co. KG
Flachsmarktstr. 8
32825 Blomberg
Germany
Tel. +49 5235 300
Fax +49 5235 3 41200
<http://www.phoenixcontact.com>

X-ON Electronics

Largest Supplier of Electrical and Electronic Components

Click to view similar products for [Fibre Optic Connectors](#) category:

Click to view products by [Phoenix Contact](#) manufacturer:

Other Similar products are found below :

[0004700001](#) [6100-R](#) [6313](#) [F709034706](#) [F709722200](#) [F709730000](#) [F718183204](#) [F727403500](#) [F727752800](#) [8119](#) [9440F20-27S-190](#) [944-120-6001](#) [9441F10SL-3S](#) [9444W28-21S](#) [9444W36-10S](#) [9446F10SL-4S](#) [9446W20-16S](#) [953-101-5310-P](#) [954-101-57202B](#) [A0270169](#) [12-9122](#) [12-5702](#) [AX101713](#) [AX102420](#) [AX103923](#) [AX104024](#) [AX104193](#) [AX104230](#) [AX104562](#) [AX105203-B25](#) [AX105205-S1](#) [EHSC2M](#) [181-011-126](#) [181-011-S](#) [181-057-126](#) [HRFC-R2\(40\)](#) [NKSOPBUY](#) [20500002116](#) [2064996-1](#) [20800001065](#) [2170](#) [9132](#) [2612](#) [2620](#) [9291](#) [9440F16-10S](#) [9440F20-18S](#) [9442W14S-10P](#) [9446F16-10S-190](#) [953-106-50231](#)