

Cable - VS-P1220-P1220-C1020/ 5,0 - 1609196


Please be informed that the data shown in this PDF Document is generated from our Online Catalog. Please find the complete data in the user's documentation. Our General Terms of Use for Downloads are valid (<http://phoenixcontact.com/download>)



Cable, degree of protection: IP65, number of positions: 5, material: Zinc die-cast, color: silver



Key Commercial Data

Packing unit	1 pc
GTIN	 4 046356 160117
GTIN	4046356160117

Technical data

Ambient conditions

Degree of protection	IP65
	IP67
Ambient temperature (operation)	-40 °C ... 70 °C (cable, fixed installation)
	-5 °C ... 70 °C (cable, flexible installation)
	Plug / socket

General data

Note	This product corresponds to the PROFINET Cabling and Interconnection Technology Guideline for PROFINET regulations, version 2.00, order no: 2.252, Chapter 11 Connectors for 24 Volt Power Supply Cabling and Chapter 13 Application specific Cabling and Interconnection Technology (AIDA)
Rated voltage	24 V
Number of positions	5
Alternative short product description	PROFINET power cable
Locking type	Push Pull
Rated voltage (III/3)	24 V
Contact material	Copper alloy
Contact carrier material	PA

Cable - VS-P1220-P1220-C1020/ 5,0 - 1609196

Technical data

General data

Contact surface material	Gold over nickel
Housing material	Zinc die-cast
Degree of protection	IP65
Rated current	16 A

Characteristics head 1

Shielded	no
Outer sheath, material	PVC
External sheath, color	silver-gray RAL 7001

Cable

Cable type	PVC gray
Cable type (abbreviation)	PVC
Conductor cross section	5x 2.5 mm ²
AWG power supply	14
Conductor structure, voltage supply	50x 0.25 mm
Wire colors	blue, brown, black, gray, green/yellow
Overall twist	5 cores, twisted
External sheath, color	gray RAL 7001
External cable diameter D	11.8 mm
Minimum bending radius, fixed installation	4 x D
Minimum bending radius, flexible installation	15 x D
Cable weight	242 kg/km
Outer sheath, material	PVC
Material conductor insulation	PVC
Conductor material	Bare Cu litz wires
Insulation resistance	> 0.2 MΩ*km
Nominal voltage, cable	750 V
	1000 V (Fixed, protected installation)
Test voltage, cable	4000 V
Flame resistance	according to IEC 60332-1-2
Ambient temperature (operation)	-40 °C ... 80 °C (cable, fixed installation)
	-5 °C ... 70 °C (cable, flexible installation)

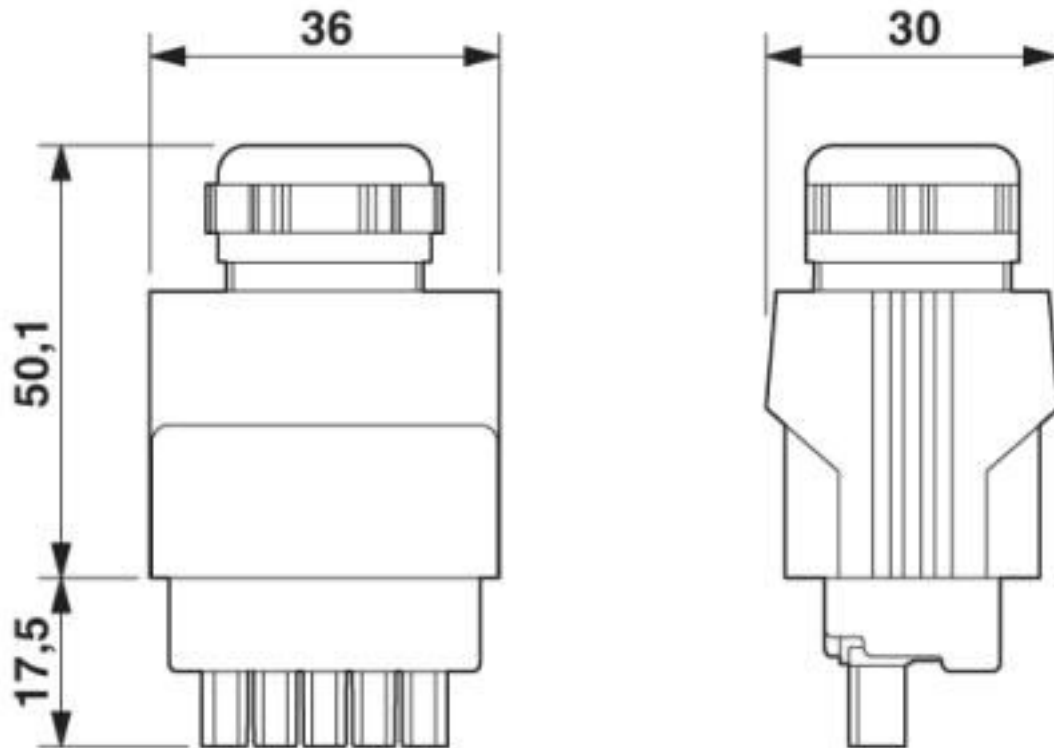
Environmental Product Compliance

REACH SVHC	Lead 7439-92-1
China RoHS	Environmentally Friendly Use Period = 50 years
	For details about hazardous substances go to tab "Downloads", Category "Manufacturer's declaration"

Drawings

Cable - VS-P1220-P1220-C1020/ 5,0 - 1609196

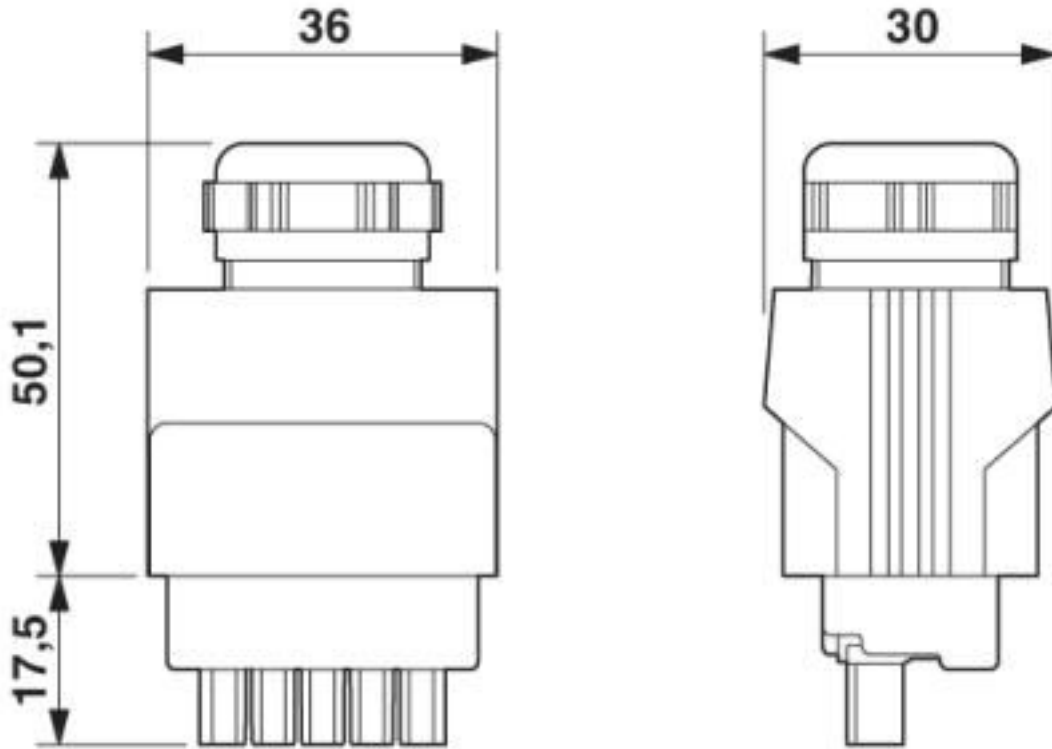
Dimensional drawing



Push-Pull MSTB connector IP65/67

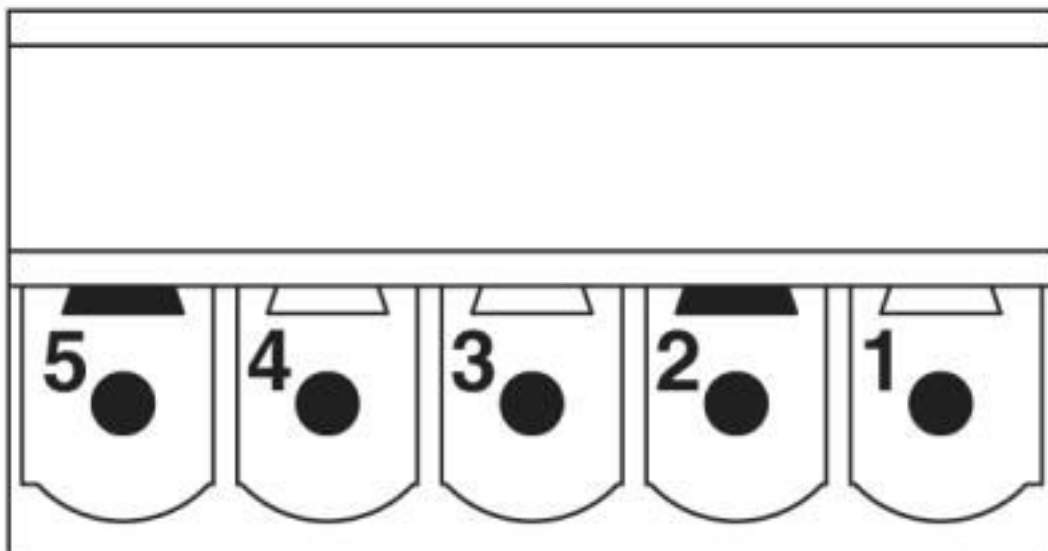
Cable - VS-P1220-P1220-C1020/ 5,0 - 1609196

Dimensional drawing



Push-Pull MSTB connector IP65/67

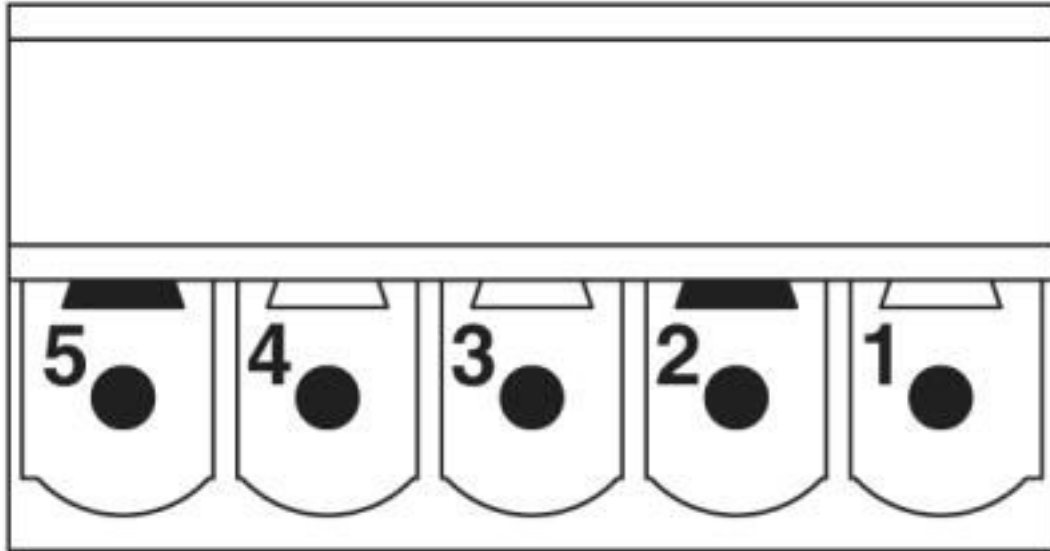
Schematic diagram



Connector pin assignment for PROFINET Push-Pull, power connector, 24 V

Cable - VS-P1220-P1220-C1020/ 5,0 - 1609196

Schematic diagram



Connector pin assignment for PROFINET Push-Pull, power connector, 24 V

Classifications

eCl@ss

eCl@ss 10.0.1	27060311
eCl@ss 4.0	27060300
eCl@ss 4.1	27060300
eCl@ss 5.0	27061800
eCl@ss 5.1	27061800
eCl@ss 6.0	27279200
eCl@ss 7.0	27279218
eCl@ss 8.0	27279218
eCl@ss 9.0	27060311

ETIM

ETIM 3.0	EC001855
ETIM 4.0	EC001855
ETIM 5.0	EC001855
ETIM 6.0	EC001855
ETIM 7.0	EC001855

UNSPSC

UNSPSC 6.01	31261501
UNSPSC 7.0901	31261501
UNSPSC 11	31261501
UNSPSC 12.01	31261501

Cable - VS-P1220-P1220-C1020/ 5,0 - 1609196

Classifications

UNSPSC

UNSPSC 13.2	31251501
UNSPSC 19.0	31251501
UNSPSC 20.0	31251501
UNSPSC 21.0	31251501

Approvals

Approvals

Approvals

EAC

Ex Approvals

Approval details

EAC		19060508
-----	---	----------

Phoenix Contact 2020 © - all rights reserved
<http://www.phoenixcontact.com>

PHOENIX CONTACT GmbH & Co. KG
Flachsmarktstr. 8
32825 Blomberg
Germany
Tel. +49 5235 300
Fax +49 5235 3 41200
<http://www.phoenixcontact.com>

X-ON Electronics

Largest Supplier of Electrical and Electronic Components

Click to view similar products for [DC Power Cords](#) category:

Click to view products by [Phoenix Contact](#) manufacturer:

Other Similar products are found below :

[172-4000](#) [172-4101](#) [172-7443-E](#) [21033836407](#) [2J-1865A](#) [2R7006A20A120](#) [426055400-3](#) [MN47A4BC01M010](#) [H-OU-2](#) [CA0002](#)
[420680840-3](#) [426451500-3](#) [P162PT4-36](#) [1-832692-4](#) [FJ-VSP 3M](#) [96CB-POWER-B-1.8M2](#) [426040200](#) [CA0006](#) [H-OU-27](#) [1700019464](#) [FJ-](#)
[VSP 10M](#) [MN47B4BC01M040](#) [H-OU-20](#) [2-836917-8](#) [867566-1](#) [804001P03M050G](#) [2050KH1-BK](#) [426013710-3](#) [58257-1069](#) [216603-0037](#)
[1011147](#) [1011324](#) [1012028](#) [862545-5](#) [BXC-10567](#) [172-2555](#) [32102-022800-200-RS](#) [P29000-M2](#) [P29004-M2](#) [DC.CAB.0201.0150](#)
[DC.CAB.0301.0150](#) [DC.CAB.0610.0150](#) [DC.CAB.0700.0150](#) [DC.CAB.1000.0300](#) [DC.CAB.1100.0150](#) [DC.CAB.1400.0150](#)
[DC.CAB.1410.0150](#) [DC.CAB.1500.0150](#) [DC.CAB.1811.0150](#) [DC.CAB.1900.0150](#)