


Female insert - VS-MSTBAH 2,5/ 5-GB-5,08-RD-B - 1609549

Please be informed that the data shown in this PDF Document is generated from our Online Catalog. Please find the complete data in the user's documentation. Our General Terms of Use for Downloads are valid (<http://phoenixcontact.com/download>)

MSTB contact insert, for PCB assembly, 400 V, 5-pos., with angled solder pins, RAL 3000 (red), for panel mounting frame VS-PPC-F2-MSTB-...-1R-P



Key Commercial Data

Packing unit	50 pc
GTIN	 4 046356 175890
GTIN	4046356175890

Technical data

Dimensions

Type	Male
Width	13.1 mm
Height	14.7 mm
Length	27.4 mm

Ambient conditions

Ambient temperature (operation)	-40 °C ... 70 °C
---------------------------------	------------------

General data

Rated voltage	48 V
Number of positions	5
Alternative short product description	Contact insert for PCB mounting
Rated voltage (III/3)	400 V
Connection method	Printed circuit connection
Contact material	Copper alloy
Contact carrier material	PBT
Contact surface material	Gold over nickel
Rated current	16 A

Female insert - VS-MSTBAH 2,5/ 5-GB-5,08-RD-B - 1609549

Technical data

Characteristics head 2

Color	red
-------	-----

Standards and Regulations

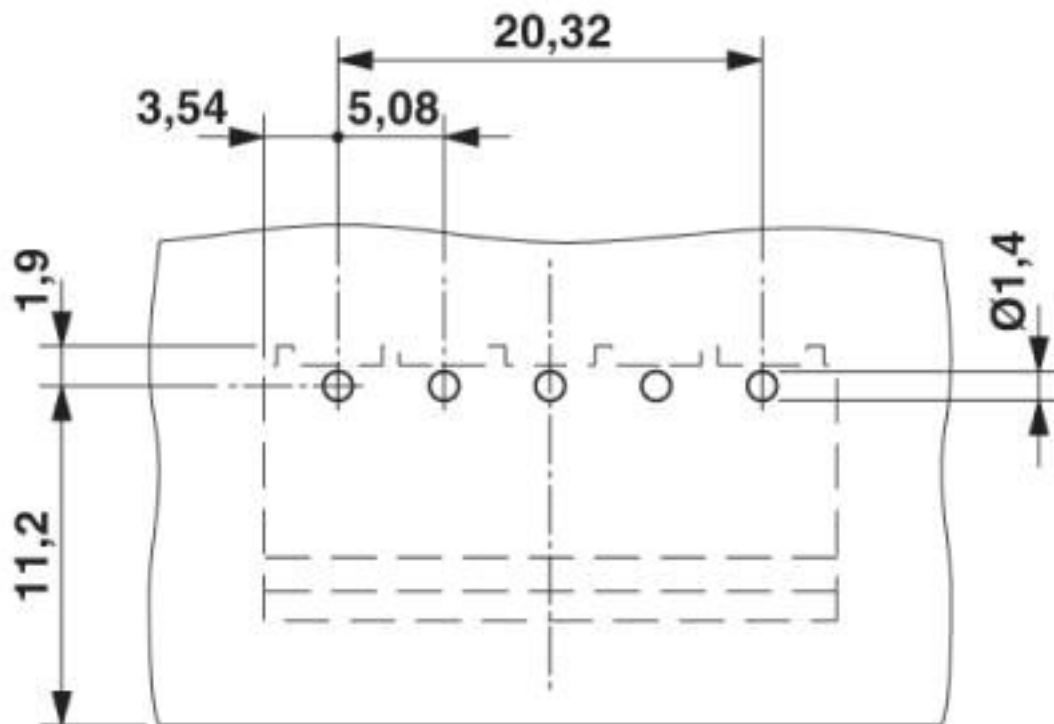
Connection in acc. with standard	CUL
Flammability rating according to UL 94	V0

Environmental Product Compliance

China RoHS	Environmentally friendly use period: unlimited = EFUP-e
	No hazardous substances above threshold values

Drawings

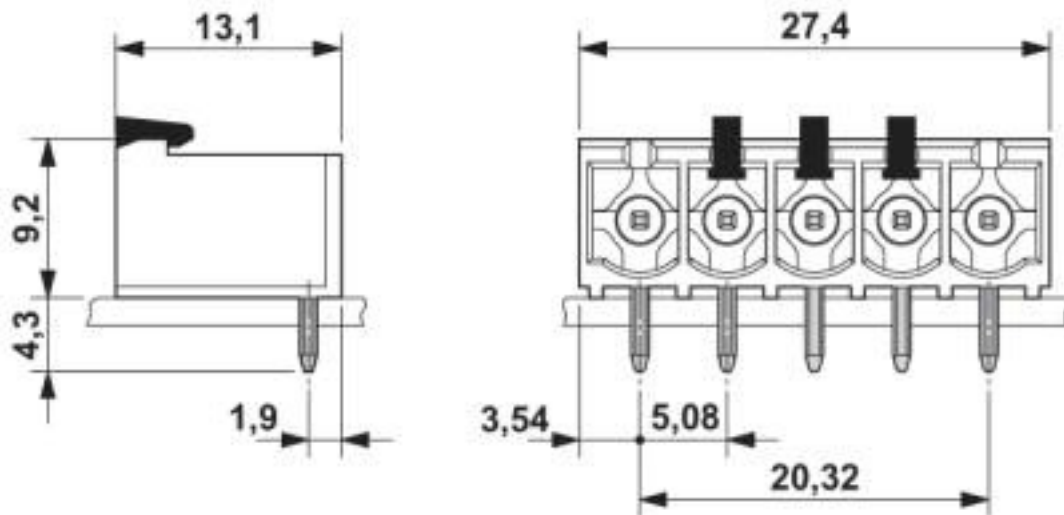
Drilling diagram



Drilling diagram

Female insert - VS-MSTBAH 2,5/ 5-GB-5,08-RD-B - 1609549

Dimensional drawing



MSTB contact insert

Classifications

eCl@ss

eCl@ss 10.0.1	27440206
eCl@ss 4.0	27260700
eCl@ss 4.1	27260700
eCl@ss 5.0	27260700
eCl@ss 5.1	27260700
eCl@ss 6.0	27261200
eCl@ss 7.0	27440206
eCl@ss 8.0	27440206
eCl@ss 9.0	27440206

ETIM

ETIM 3.0	EC000438
ETIM 4.0	EC000438
ETIM 5.0	EC000438
ETIM 6.0	EC002312
ETIM 7.0	EC002312

UNSPSC

UNSPSC 6.01	31261501
UNSPSC 7.0901	31261501
UNSPSC 11	31261501
UNSPSC 12.01	31261501
UNSPSC 13.2	31261501

Female insert - VS-MSTBAH 2,5/ 5-GB-5,08-RD-B - 1609549

Classifications

UNSPSC

UNSPSC 18.0	31261501
UNSPSC 19.0	31261501
UNSPSC 20.0	31261501
UNSPSC 21.0	31261501

Approvals

Approvals

Approvals

EAC / cULus Recognized

Ex Approvals

Approval details

EAC		B.01687
-----	--	---------

cULus Recognized		http://database.ul.com/cgi-bin/XYV/template/LISEXT/1FRAME/index.htm E118976-20080903
Nominal voltage UN	400 V	
Nominal current IN	16 A	

Accessories

Accessories

Panel mounting frame

Panel mounting frames - VS-PPC-F2-MSTB-MNNA-1R-P - 1608087



MSTB panel mounting frame, IP67, for push-pull interlocking, metal, for PCB connection, for square panel cutout, with grommet, without mounting screws

Female insert - VS-MSTBAH 2,5/ 5-GB-5,08-RD-B - 1609549

Accessories

Panel mounting frames - VS-PPC-F2-MSTB-POBK-1R-P - 1608281



MSTB panel mounting frame, IP67, for push-pull interlocking, plastic, for PCB connection, for square panel cutout, with grommet, without mounting screws

Phoenix Contact 2020 © - all rights reserved
<http://www.phoenixcontact.com>

PHOENIX CONTACT GmbH & Co. KG
Flachsmarktstr. 8
32825 Blomberg
Germany
Tel. +49 5235 300
Fax +49 5235 3 41200
<http://www.phoenixcontact.com>

X-ON Electronics

Largest Supplier of Electrical and Electronic Components

Click to view similar products for [Heavy Duty Power Connectors](#) category:

Click to view products by [Phoenix Contact](#) manufacturer:

Other Similar products are found below :

[647757-1](#) [6643411-1](#) [6646058-2](#) [6646137-1](#) [6646138-1](#) [6646479-1](#) [6646608-1](#) [6646786-1](#) [6646940-1](#) [6651091-1](#) [6651525-1](#) [6651529-1](#)
[6651788-1](#) [696475-1](#) [702-32-01109](#) [703-25-02205](#) [73000005059](#) [73000005642](#) [73080255059](#) [73080965046](#) [765-15-0080A](#) [765-16-0080B](#)
[765-18-0080D](#) [829992-1](#) [902-77-02113](#) [PS00/A0620/6300](#) [PS25/A0420/63](#) [129-1J](#) [1409400](#) [AN0024023](#) [E6374G1](#) [e6389g2](#) [157-43GW8](#)
[MS3117-14AC](#) [1643543-1](#) [1650540-1](#) [1651811-2](#) [1766260-1](#) [1766282-1](#) [1766966-1](#) [1791340000](#) [NLDFT-3-BL-L-S120-M40A](#) [NLDFT-N-](#)
[W-L-C240-M40B](#) [NLS-2-R-C240-M40B](#) [NLS-N-W-C240-M40B](#) [NPS-3-BL-T6](#) [1986615-1](#) [2-1589900-8](#) [2199314-1](#) [KA8102](#)