

## Device connector, front mounting - CA-06P1N8A2S00 - 1619990

Please be informed that the data shown in this PDF Document is generated from our Online Catalog. Please find the complete data in the user's documentation. Our General Terms of Use for Downloads are valid (<http://phoenixcontact.com/download>)



Device connector for front wall, CA, straight, shielded: yes, for standard and SPEEDCON interlock, M23, No. of pos.: 6, type of contact: Pin, Crimp connection, Flat gasket, 4x Ø 3.2, flange dimensions: 25 mm x 25 mm

The figure shows the product version with solder contacts

### Your advantages

- Safe use in the field, thanks to high degree of protection
- Connector for flexible on-site assembly
- Consistent EMC protection for reliable transmission of signals
- Crimping connection: vibration- and temperature-resistant assembly



### Key Commercial Data

|              |               |
|--------------|---------------|
| Packing unit | 1 pc          |
| GTIN         |               |
| GTIN         | 4046356820042 |

### Technical data

#### Temperature range

|                     |                   |
|---------------------|-------------------|
| Ambient temperature | -40 °C ... 125 °C |
|---------------------|-------------------|

#### Data of the insulating body

|                                     |   |
|-------------------------------------|---|
| Note                                | Order information: Order crimp contacts 6 x Ø 2 mm separately |
| Coding                              | N   |
| Insulator material                  | PA 6.6  |
| Contact connection method           | Crimp connection  |
| Type of contacts                    | Pin   |
| Application                         | Signal  |
| Number of positions                 | 6   |
| Direction of rotation               | Standard  |
| Contact diameter of signal contacts | 2 mm  |

## Device connector, front mounting - CA-06P1N8A2S00 - 1619990

### Technical data

#### Data of the insulating body

|   |                     |
|---|---------------------|
| Litz wire cross section of signal contacts min. | 1 mm <sup>2</sup>   |
| Litz wire cross section of signal contacts max. | 2.5 mm <sup>2</sup> |
| Nominal current per signal contact              | 20 A                |
| Rated voltage of signal contact                 | 300 V               |
| Rated surge voltage                             | 2.5 kV              |
| Overvoltage category                            | II                  |
| Degree of pollution                             | 3                   |

#### Housing data

|  |                                     |
|--|-------------------------------------|
| Housing material                       | GD-Zn                               |
| Flange dimensions                      | 25 mm x 25 mm                       |
| Type of locking                        | for standard and SPEEDCON interlock |
| Degree of protection (when plugged in) | IP67                                |
| Thread type                            | M23                                 |

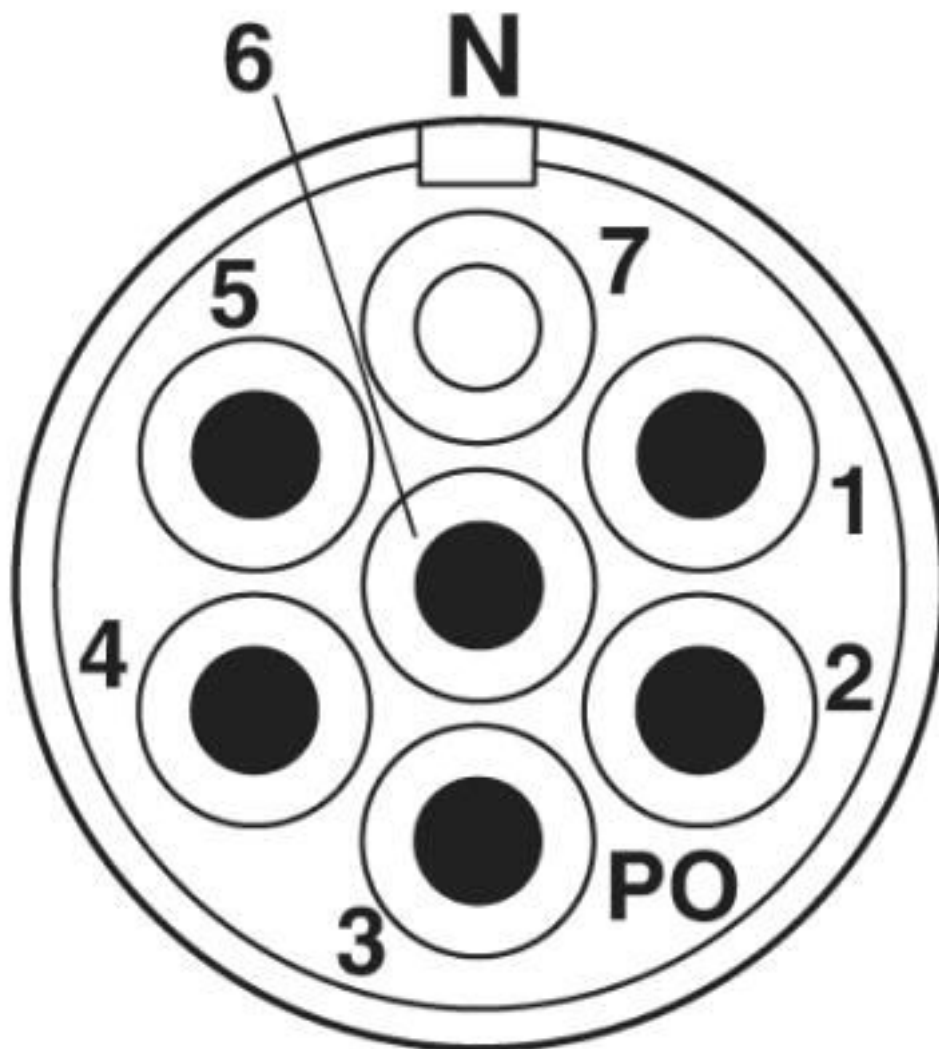
#### Environmental Product Compliance

|            |   |
|------------|---|
| China RoHS | Environmentally friendly use period: unlimited = EFUP-e |
|            | No hazardous substances above threshold values          |

### Drawings

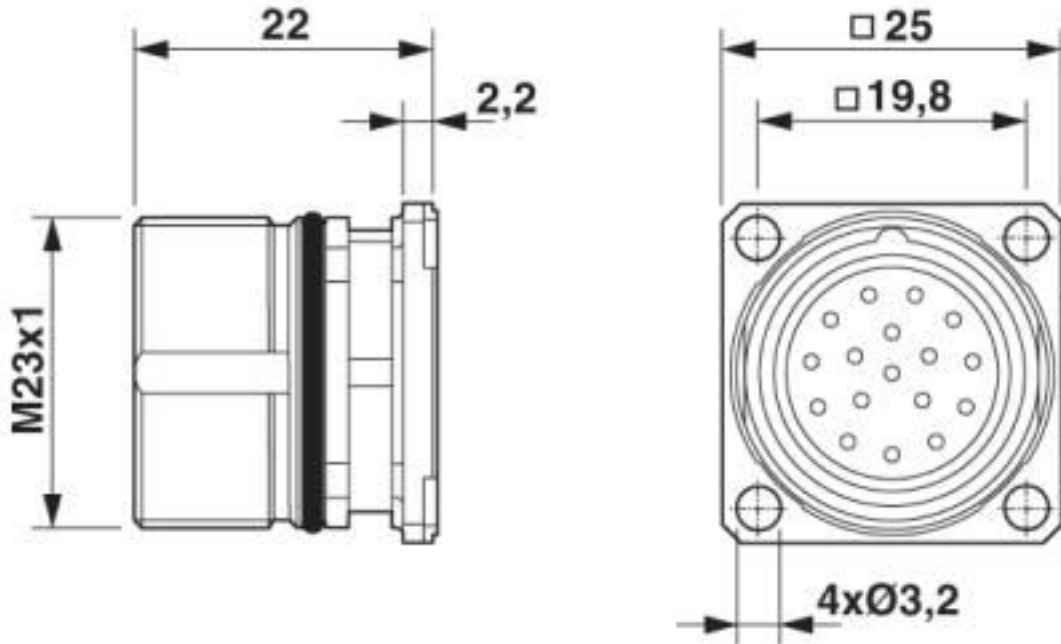
# Device connector, front mounting - CA-06P1N8A2S00 - 1619990

Schematic diagram

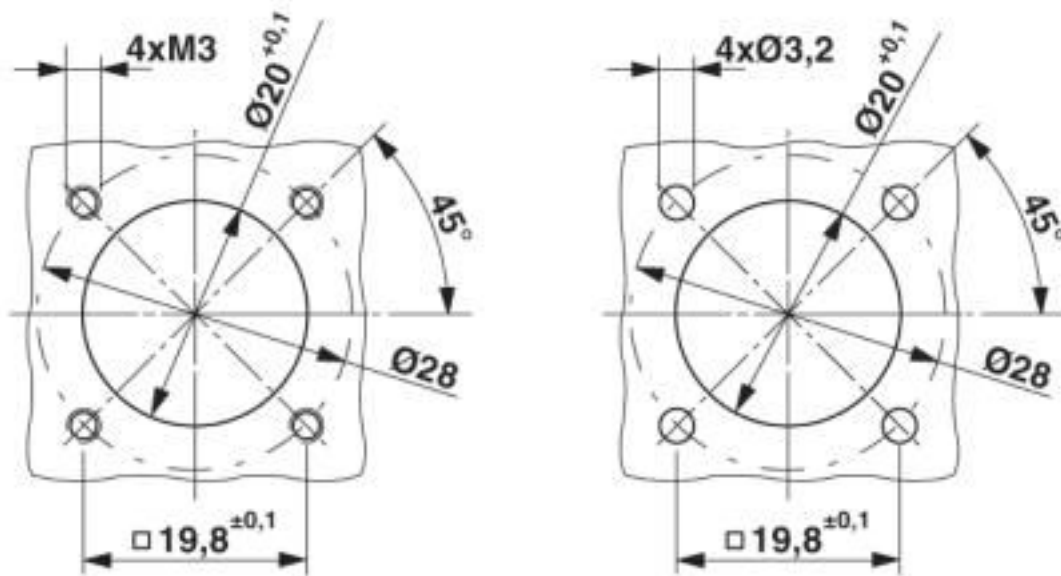


# Device connector, front mounting - CA-06P1N8A2S00 - 1619990

Dimensional drawing



Dimensional drawing



Installation dimensions

Classifications

eCl@ss

|               |          |
|---------------|----------|
| eCl@ss 10.0.1 | 27440102 |
| eCl@ss 4.0    | 27140800 |

## Device connector, front mounting - CA-06P1N8A2S00 - 1619990

### Classifications

#### eCl@ss

|            |          |
|------------|----------|
| eCl@ss 4.1 | 27140800 |
| eCl@ss 5.0 | 27143400 |
| eCl@ss 5.1 | 27143400 |
| eCl@ss 6.0 | 27279200 |
| eCl@ss 7.0 | 27440103 |
| eCl@ss 8.0 | 27440103 |
| eCl@ss 9.0 | 27440102 |

#### ETIM

|          |          |
|----------|----------|
| ETIM 3.0 | EC001121 |
| ETIM 4.0 | EC002635 |
| ETIM 5.0 | EC002061 |
| ETIM 6.0 | EC002061 |

#### UNSPSC

|               |          |
|---------------|----------|
| UNSPSC 6.01   | 43172015 |
| UNSPSC 7.0901 | 43201404 |
| UNSPSC 11     | 43172015 |
| UNSPSC 12.01  | 43201404 |
| UNSPSC 13.2   | 39121413 |
| UNSPSC 18.0   | 39121413 |
| UNSPSC 19.0   | 39121413 |
| UNSPSC 20.0   | 39121413 |
| UNSPSC 21.0   | 39121413 |

### Approvals

#### Approvals

---

##### Approvals

UL Recognized / cUL Recognized / EAC / cULus Recognized

---

##### Ex Approvals

---

#### Approval details

## Device connector, front mounting - CA-06P1N8A2S00 - 1619990

### Approvals

|                            |  |  |
|----------------------------|--|--|
| UL Recognized              |  | <a href="http://database.ul.com/cgi-bin/XYV/template/LISEXT/1FRAME/index.htm">http://database.ul.com/cgi-bin/XYV/template/LISEXT/1FRAME/index.htm</a> E335019-20141210 |
| Nominal voltage UN         |  | 300 V  |
| Nominal current IN         |  | 17 A   |
| mm <sup>2</sup> /AWG/kcmil |  | 14   |

|                            |  |  |
|----------------------------|--|--|
| cUL Recognized             |  | <a href="http://database.ul.com/cgi-bin/XYV/template/LISEXT/1FRAME/index.htm">http://database.ul.com/cgi-bin/XYV/template/LISEXT/1FRAME/index.htm</a> E335019-20141210 |
| Nominal voltage UN         |  | 300 V  |
| Nominal current IN         |  | 10 A   |
| mm <sup>2</sup> /AWG/kcmil |  | 14   |

|     |  |         |
|-----|--|---------|
| EAC |  | B.01687 |
|-----|--|---------|

|                  |  |
|------------------|--|
| cULus Recognized |  |
|------------------|--|

### Accessories

#### Accessories

#### Crimp contact

Crimp contact - RC-5AP2000 - 1603505



Crimp contact, turned, contact diameter: 2 mm, crimp range: 1.5 mm<sup>2</sup> ... 2.5 mm<sup>2</sup>

Crimp contact - RC-5CP2000 - 1603513



Crimp contact, turned, contact diameter: 2 mm, crimp range: 1 mm<sup>2</sup> ... 1.5 mm<sup>2</sup>

## Device connector, front mounting - CA-06P1N8A2S00 - 1619990

### Accessories

---

Crimp contact - RC-5SP2000 - 1603529



Crimp contact, turned, contact diameter: 2 mm, crimp range: 0.5 mm<sup>2</sup> ... 0.75 mm<sup>2</sup>

---

### Mounting material

Color-coding - CA-Z0120 - 1620704



Color-coding, color: green

---

Color-coding - CA-Z0121 - 1620705



Color-coding, color: orange

---

Color-coding - CA-Z0122 - 1620706



Color-coding, color: black

---

Contact removal tool - CA-Z0001 - 1620699



Unlocking tool for contact carriers for snapping in the M23 signal device connectors

---

### Protective cover

## Device connector, front mounting - CA-06P1N8A2S00 - 1619990

### Accessories

Protective cap - SF-Z0019 - 1607449



Plastic protection cap, with eye, IP40 for connectors with M23 external thread, RF, SF series

---

Protective cap - RC-Z2059 - 1604225



Plastic protection cap for connectors with M23 external thread

---

Plastic anti-static dust protection cap - RC-Z2469 - 1611797



Plastic protection cap, antistatic, for RF, SF, CA, RC series connectors, with M23 external thread

---

Metal protective cap - RC-Z2104 - 1604260



Metal protection cap for signal connectors with M23 external thread

---

Metal protective cap - RC-Z2068 - 1604236



Metal protection cap with steel wire for signal connectors with M23 external thread

---

---



Phoenix Contact 2020 © - all rights reserved  
<http://www.phoenixcontact.com>

PHOENIX CONTACT GmbH & Co. KG  
Flachmarktstr. 8  
32825 Blomberg  
Germany  
Tel. +49 5235 300  
Fax +49 5235 3 41200  
<http://www.phoenixcontact.com>

## X-ON Electronics

Largest Supplier of Electrical and Electronic Components

*Click to view similar products for [Circular Metric Connectors](#) category:*

*Click to view products by [Phoenix Contact](#) manufacturer:*

Other Similar products are found below :

[600X518037X](#) [6STD15PCR99B70A](#) [8R4000A16M020](#) [8R5000A16M005](#) [1200910002](#) [1203580030](#) [1200910008](#) [1200910011](#) [1300140094](#)  
[130203-0054](#) [1300140026](#) [1300150099](#) [RF-12S1N8A90DU](#) [1-3637-600-5205](#) [1612618](#) [21036836414](#) [8R4006A16M010](#) [1604232](#)  
[1R3006A20M005](#) [RF-12P1N8A90DU](#) [41-40011](#) [42-00006](#) [42-01015](#) [4-22279-4](#) [4-22281-1](#) [4-22284-9](#) [43-00113](#) [43-01088](#) [43-01203](#) [41-](#)  
[40013](#) [42-00008](#) [43-00343](#) [43-01026](#) [43-01162](#) [43-01173](#) [43-10000](#) [XS3P-M421-2](#) [600X518050X](#) [SACC-DSI-FS-5P-PG9-L180 SC](#)  
[8R5006A16M020](#) [8R5006A16M005](#) [8R4000A16M010](#) [6-22279-3](#) [1605332](#) [N03FA03144](#) [1300140077](#) [43-16213](#) [43-01338](#) [XS2RD4265](#)  
[XS2R-D426-1](#)