

## Test plugs - PRC 3-TC-FS6 8-21 - 1621326


Please be informed that the data shown in this PDF Document is generated from our Online Catalog. Please find the complete data in the user's documentation. Our General Terms of Use for Downloads are valid (<http://phoenixcontact.com/download>)



PRC test plug, 2000 plug cycles, black, can be released by hand, 3-pos., 1.5 mm<sup>2</sup> ... 6 mm<sup>2</sup> / 690 V / 35 A, with screw connection for cables with an outside diameter of 8 mm ... 21 mm.



### Key Commercial Data

|              |   |
|--------------|---|
| Packing unit | 1 pc  |
| GTIN         | <br>4 046356 914734 |
| GTIN         | 4046356914734   |

### Technical data

#### General data

|  |                                |
|--|--------------------------------|
| Number of positions                    | 3                              |
| Protection class                       | II                             |
| Color                                  | black                          |
| Locking type                           | Snap-in locking                |
| Insertion/withdrawal cycles            | 2000 ( )                       |
| Pull-out-force                         | 150 N ± 50 N                   |
| Insertion force                        | 30 N ± 10 N                    |
| Degree of protection (when plugged in) | IP66 / IP68 (2m / 24h) / IP69K |
| Width                                  | 37.6 mm                        |
| Height                                 | 37.6 mm                        |
| Length                                 | 105 mm                         |

#### Connection data

|                       |   |
|-----------------------|---|
| Rated current         | 35 A (with 6 mm <sup>2</sup> conductor cross section) |
| Rated voltage (III/2) | 690 V   |
| Stripping length      | 12 mm   |
| Torque                | 1 Nm  |
| Type of contact       | Socket  |

# Test plugs - PRC 3-TC-FS6 8-21 - 1621326

## Technical data

### Connection data

|  |                                |
|--|--------------------------------|
| Stripping length of the sheath   | 50 mm                          |
| Conductor cross section flexible, with ferrule without plastic sleeve min. | 1.5 mm <sup>2</sup>            |
| Conductor cross section flexible, with ferrule without plastic sleeve max. | 6 mm <sup>2</sup>              |
| Conductor cross section flexible, with ferrule with plastic sleeve min.    | 1.5 mm <sup>2</sup>            |
| Conductor cross section flexible, with ferrule with plastic sleeve max.    | 6 mm <sup>2</sup>              |
| Conductor cross section solid min.   | 1.5 mm <sup>2</sup>            |
| Conductor cross section solid max.   | 6 mm <sup>2</sup>              |
| Conductor cross section flexible min.                                      | 4 mm <sup>2</sup>              |
| Conductor cross section flexible max.                                      | 6 mm <sup>2</sup>              |
| Connection method  | Screw connection               |
| Degree of protection   | IP66 / IP68 (2m / 24h) / IP69K |
| Insertion force  | 30 N ±10 N                     |
| Stripping length of the individual wire                                    | 12 mm                          |
| Overvoltage category   | III                            |
| Insulating material group  | I / CTI 600                    |
| Pull-out-force   | 150 N ± 50 N                   |
| Cable diameter <sup>1</sup>  | 8 mm ... 21 mm                 |

### Material data

|                           |               |
|---------------------------|---------------|
| Contact material          | Cu alloy      |
| Contact surface material  | silver-plated |
| Contact carrier material  | PPE           |
| Material of grip body     | PPE           |
| Housing material          | PPE           |
| Seal material             | EPDM          |
| O-ring material           | EPDM          |
| Cable seal material       | EPDM          |
| Cable gland material      | PPE           |
| Color of the housing part | black         |
| Knurl material            | PPE           |

### Standards and Regulations

|  |  |
|--|--|
| Halogen-free                           | yes  |
| Flammability rating according to UL 94 | V0   |
| Safety note                            | <ul style="list-style-type: none"> <li>• WARNING: Commission properly functioning products only. The products must be regularly inspected for damage. Decommission defective products immediately. Replace damaged products. Repairs are not possible.</li> </ul>  |
|  | <ul style="list-style-type: none"> <li>• WARNING: Only electrically qualified personnel may install and operate the product. They must observe the following safety notes. The qualified personnel must be familiar with the basics of electrical engineering. They must be able to recognize and prevent danger. The relevant symbol on the packaging indicates that only personnel familiar with electrical engineering are allowed to install and operate the product.</li> </ul> |

# Test plugs - PRC 3-TC-FS6 8-21 - 1621326

## Technical data

### Standards and Regulations

|  |  |
|--|--|
|  | <p>WARNING: The connectors may not be plugged in or disconnected under load. Ignoring the warning or improper use may damage persons and/or property.</p>  |
|  | <ul style="list-style-type: none"> <li>Assembled products may not be manipulated or improperly opened.</li> </ul>  |
|  | <ul style="list-style-type: none"> <li>Only use mating connectors that are specified in the technical data of the standards listed (e.g. the ones listed in the product accessories online at <a href="https://www.phoenixcontact.com/products">phoenixcontact.com/products</a>).</li> </ul>   |
|  | <ul style="list-style-type: none"> <li>When using the product in direct connection with third-party manufacturers, the user is responsible.</li> </ul>   |
|  | <ul style="list-style-type: none"> <li>For operating voltages &gt; 50 V AC, conductive connector housings must be grounded</li> </ul>  |
|  | <ul style="list-style-type: none"> <li>Ensure that the protective or functional ground has been properly connected.</li> </ul>   |
|  | <ul style="list-style-type: none"> <li>VDE 0100/1.97 § 411.1.3.2 and DIN EN 60 204/11.98 § 14.1.3 are applicable when combining several circuits in a cable and/or connector</li> </ul>  |
|  | <ul style="list-style-type: none"> <li>Observe the corresponding technical data. You will find information:                             <ul style="list-style-type: none"> <li>On the product</li> <li>On the packing label</li> <li>In the supplied documentation</li> <li>Online at <a href="https://www.phoenixcontact.com/products">phoenixcontact.com/products</a> under the product</li> </ul> </li> </ul> |
|  | <ul style="list-style-type: none"> <li>Only use tools recommended by Phoenix Contact</li> </ul>  |
|  | <ul style="list-style-type: none"> <li>The installation notes/Design In documents online on the download page at <a href="https://www.phoenixcontact.com/products">phoenixcontact.com/products</a> must be observed for this product.</li> </ul>   |
|  | <ul style="list-style-type: none"> <li>Use a protective cap to protect connectors that are not in use. The suitable accessories are available online in the accessory section of the product at <a href="https://www.phoenixcontact.com/products">phoenixcontact.com/products</a></li> </ul>   |
|  | <ul style="list-style-type: none"> <li>Operate the connector only when it is fully plugged in.</li> </ul>  |
|  | <ul style="list-style-type: none"> <li>Operate the connector only when it is fully plugged in and interlocked.</li> </ul>  |
|  | <ul style="list-style-type: none"> <li>Ensure that when laying the cable, the tensile load on the connectors does not exceed the upper limit specified in the standards.</li> </ul>  |
|  | <ul style="list-style-type: none"> <li>Observe the minimum bending radius of the cable. Lay the cable without twisting it.</li> </ul>  |
|  | <ul style="list-style-type: none"> <li>The connector warms up in normal operation. Depending on the ambient conditions, the surface of the connector can continue to warm up. In this case, the user is responsible for posting warnings (e.g. DIN EN ISO 13732-1:2008-12).</li> </ul>   |

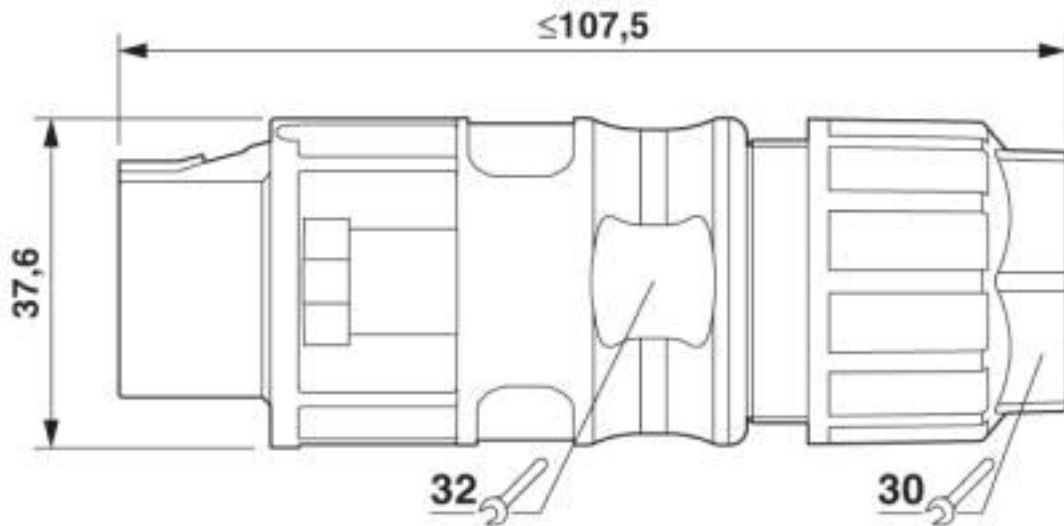
### Environmental Product Compliance

|            |   |
|------------|---|
| China RoHS | Environmentally Friendly Use Period = 50 years  |
|            | For details about hazardous substances go to tab "Downloads", Category "Manufacturer's declaration" |

## Drawings

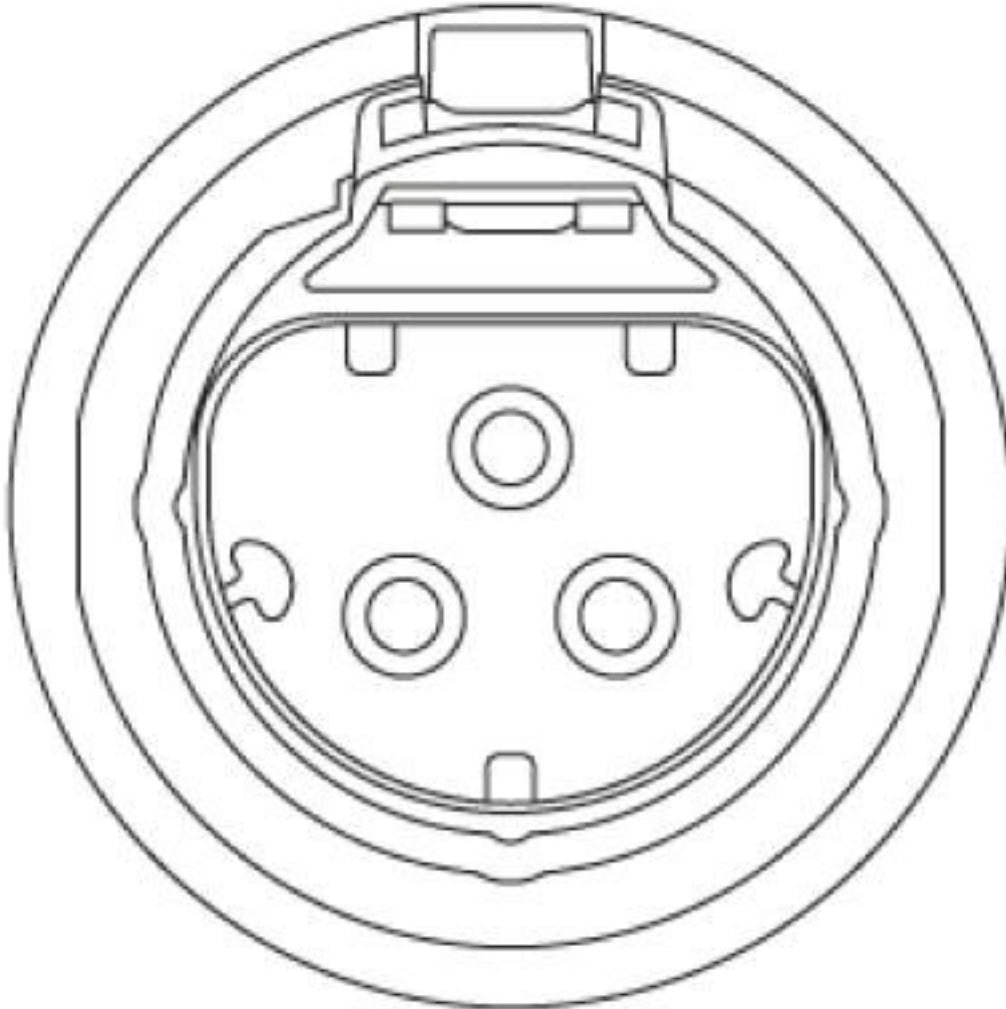
# Test plugs - PRC 3-TC-FS6 8-21 - 1621326

Dimensional drawing



# Test plugs - PRC 3-TC-FS6 8-21 - 1621326

Schematic diagram



Connector pin assignment

## Classifications

eCl@ss

|               |          |
|---------------|----------|
| eCl@ss 10.0.1 | 27440109 |
| eCl@ss 5.1    | 27141100 |
| eCl@ss 6.0    | 27141100 |
| eCl@ss 7.0    | 27141148 |
| eCl@ss 8.0    | 27440102 |
| eCl@ss 9.0    | 27440103 |

ETIM

|          |          |
|----------|----------|
| ETIM 4.0 | EC002255 |
|----------|----------|

# Test plugs - PRC 3-TC-FS6 8-21 - 1621326

## Classifications

### ETIM

|          |          |
|----------|----------|
| ETIM 5.0 | EC002061 |
| ETIM 6.0 | EC002061 |
| ETIM 7.0 | EC002555 |

### UNSPSC

|             |          |
|-------------|----------|
| UNSPSC 13.2 | 20122006 |
| UNSPSC 18.0 | 39121413 |
| UNSPSC 19.0 | 39121413 |
| UNSPSC 20.0 | 39121413 |
| UNSPSC 21.0 | 39121413 |

## Approvals

### Approvals

---

Approvals

EAC

---

Ex Approvals

---

### Approval details

|     |  |         |
|-----|--|---------|
| EAC |  | B.01687 |
|-----|--|---------|

## Accessories

### Accessories

#### Protective cover

Protective cap - PRC COVER F - 1409236



Protective cover, Range of articles: PRC, Protective cap, housing material: PPE, color: black. Suitable for couplings (FS)

### Screwdriver tools

## Test plugs - PRC 3-TC-FS6 8-21 - 1621326

### Accessories

Screwdriver - SZF 1-0,6X3,5 - 1204517



Actuation tool, for ST terminal blocks, also suitable for use as a bladed screwdriver, size: 0.6 x 3.5 x 100 mm, 2-component grip, with non-slip grip

---

### Universal tools

Tool - UNIFOX-WRENCH - 1212835



Screw pliers, with fast adjustment, for wrench size 10 mm ... 36 mm, size: 260 mm

---

Phoenix Contact 2020 © - all rights reserved  
<http://www.phoenixcontact.com>

PHOENIX CONTACT GmbH & Co. KG  
Flachsmarktstr. 8  
32825 Blomberg  
Germany  
Tel. +49 5235 300  
Fax +49 5235 3 41200  
<http://www.phoenixcontact.com>

## X-ON Electronics

Largest Supplier of Electrical and Electronic Components

*Click to view similar products for [Solar Connectors / Photovoltaic Connectors](#) category:*

*Click to view products by [Phoenix Contact](#) manufacturer:*

Other Similar products are found below :

[1740699-7](#) [1971861-4](#) [1971131-4](#) [1971858-3](#) [1971861-3](#) [PV-090508-F03](#) [PV-090508-M10](#) [PV-CM-S 2 5-6 \(-\)](#) [2270184-3](#) [2270154-2](#)  
[2270226-4](#) [PV-090508-M06-N](#) [1987558-2](#) [PV-090506-F03](#) [UTXPM](#) [UTXPF](#) [UTXCMB6AM](#) [1627092](#) [1017635](#) [1017636](#) [1-2306314-1](#) [1-](#)  
[2306314-2](#) [1302440201](#) [1303450000](#) [PV-STICK+ VPE10](#) [2-1971862-2](#) [H4CMC6DM](#) [1705996](#) [1705995](#) [1971858-2](#) [5-2306317-2](#) [1704926](#)  
[H4CFC4DIS](#) [H4CFC4DC](#) [H4CFC4DM](#) [H4CFC6DM](#) [H4CFM2DI](#) [H4CFM6DI](#) [H4CMC2DI](#) [H4CMC8DM](#) [H4CMM6DI](#) [H4CMC4DMS](#)  
[H4CMC4DIS](#) [H4PF](#) [H4PM](#) [HGLUI](#) [PWJ-03BMMB-LL8001](#) [UTXCFA0AM](#) [UTXCFA4BMH](#) [UTXCMA0AM](#) [UTXCMA4AM](#)